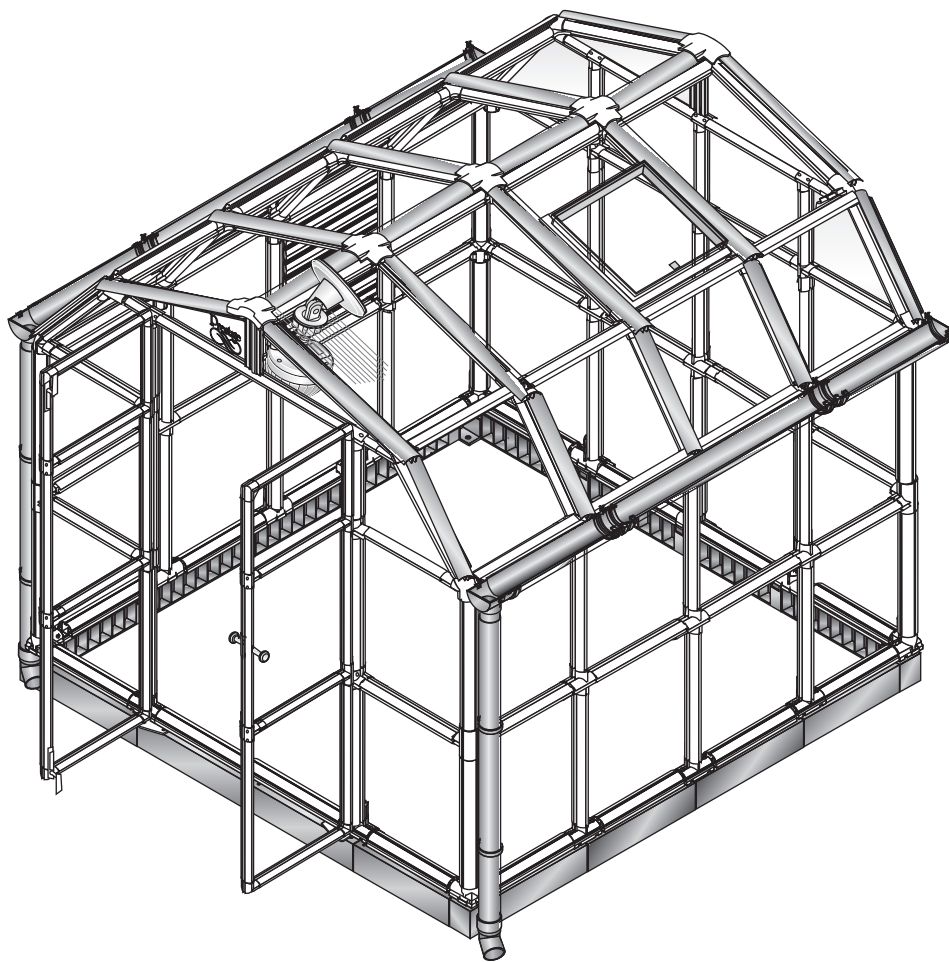


Rion Prestige



**All Accessories Included: Base, Two tier staging,
Windows, Automatic window openers, Rain gutter, Solar light
Plant Hangers**



**Rion Ltd. Cabri 25120 Israel
www.rion.com
Email: marketing@rion.com
Tel: +972-4-9952666
Fax: +972-4-9952677**

Authorized Rion Distributors

USA

Systems Trading Corporation - STC

Sales: 450 Seventh Ave. Suite 2809

New York, NY 10123

Tel: 212 239 8230 Ext. 107

Toll Free: 800 293 2923 Ext. 107

Fax: 212 239 8240

Sales Manager: Ames@stcaustin.co

Customer Service

Toll Free: 877 407 9100 Ext. 1

Fax: 512 407 9242

Email: customerservice@stcaustin.com

www.stcny.com



**Systems
Trading
Corporation**

www.stcny.com

Korea

Dowin Corporation

3F Daeki BQD' 1031-7 Bangbae-3 dong

Seocho-gu, Seoul, Korea

Tel: +82 2 583 8511

Fax: +82 2 583 8512

dowin@polygal.co.kr

www.rionkorea.com



Germany

Clemens HobbyTec GbR

Rudoif-Diesel-Str.8

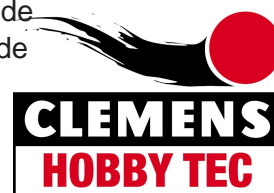
D-54516 Wittlich / Germany

Tel: +49 (0) 6571 / 929-222

Fax: +49 (0) 6571 / 929-198

info@clemens-hobbytec.de

www.clemens-hobbytec.de



**CLEMENS
HOBBY TEC**

USA

Backyard Living Source, Inc.- BLS

Sales: 800 South Industry Way Suite 350

Meridian, ID 83642 USA

Tel: 208-287-6601

Fax: 208-287-6602

www.ecogreenhouse.com

info@ecogreenhouse.com



Australia

Oldfields Pty Ltd

8 Farrow Road

Campbelltown N.S.W. 2560

Tel: + 61 2 4627 0777

Fax: +61 2 4627 0999

sales@oldfields.com.au

www.oldfields.com.au/treco/greenhouses.htm



South Africa

Easy Greenhouses CC

P.O.Box 538, Olivedale 2158

Sales and Support: Linda Hill

Tel: +27 11 792 7583

Mobile: +27 82 777 6681

linda@easygreenhouses.co.za

www.easygreenhouses.co.za



Safety first

Please read these Assembly Instructions in their entirety before starting assembly and save the Instructions so you can refer back to them if you wish to add options or make repairs. The manufacturing date of your greenhouse is indicated on your assembly instruction booklet. Please save it for future use when you call to customer service.

Check the contents of the Greenhouse packaging against the packing list and the parts required for your model, listed in the manual from page 4 onwards. Do not begin the assembly process if any part is missing.

- We recommend that you wear gloves during assembly.
- Rion is not responsible for the misuse of tools or parts.
- If local building codes require permits or licenses, make sure that they are issued before you start assembling.
- Your Greenhouse should be securely anchored to the foundation or to the Modular Base using the recommended hardware.
- Exercise caution when lifting heavy assemblies.
- Do not attempt to assemble your Greenhouse in high winds.
- We recommend that you install your Greenhouse in location where it will be exposed to direct sunlight and where it will be protected from the wind as far as possible. The door should not face prevailing winds.
- Close all roof vents during high winds.
- It is important to clear your Greenhouse of snow during winter.
- If you live in a hot climate, where external temperatures exceed 46°C (115°F) in the sun or 36°C (99°F) in the shade, this may cause the temperature inside the Greenhouse to exceed 55°C (131°F). Such conditions may damage your plants. In order to prevent damage:
 - Ensure good ventilation during hot days,
 - Install shading screens, such as the Rion ShadeNet (available as an option).

Required Tools

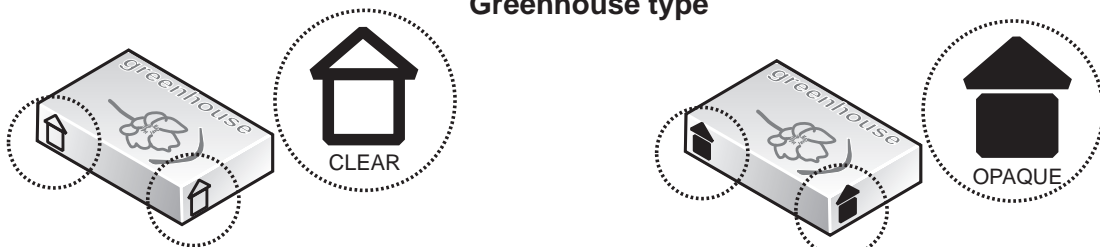
Before you begin assembly, make sure that you have the following tools on hand:

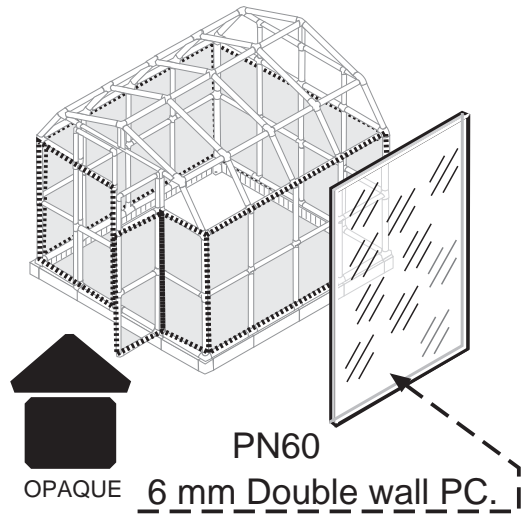
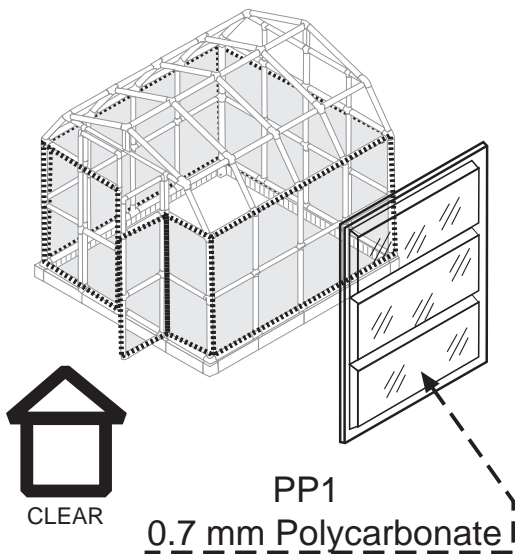
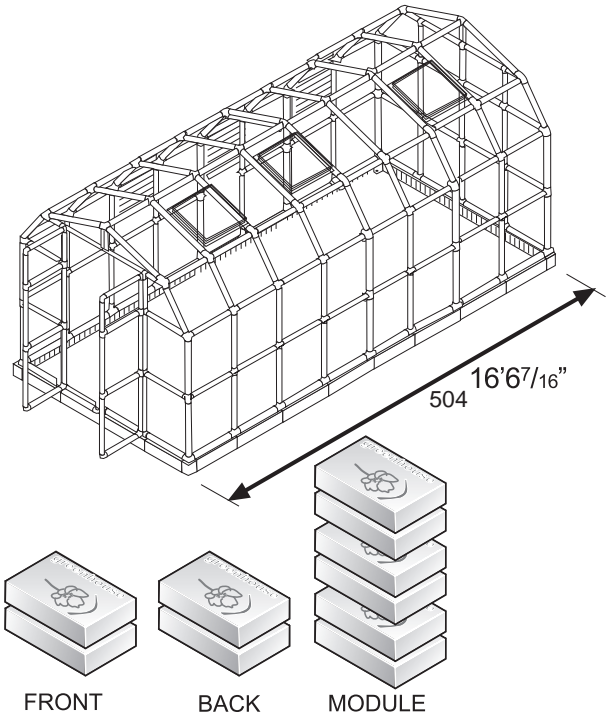
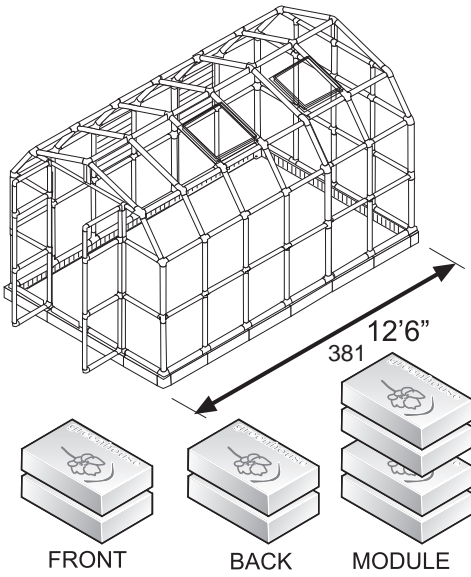
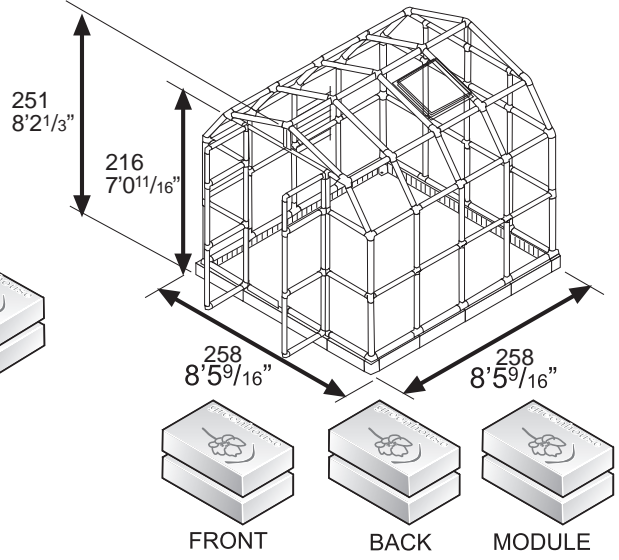
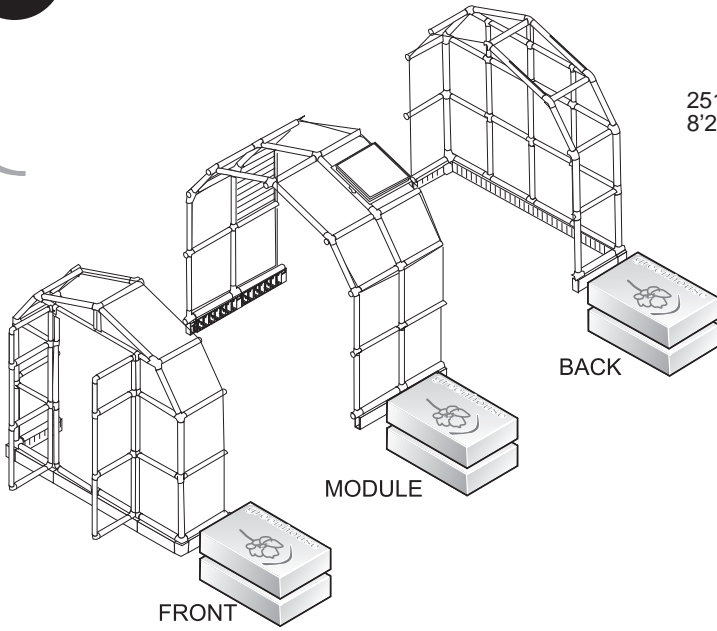
- Measuring tape
- Spirit level
- Scissors
- Gloves
- Razor knife
- Drill

Note: You may find some parts easier to assemble if you first moisten them with soapy water. If a hole in the connector is missing, drill a hole with a 6 mm (1/4") drill bit through the assembled profile and then insert the pin.

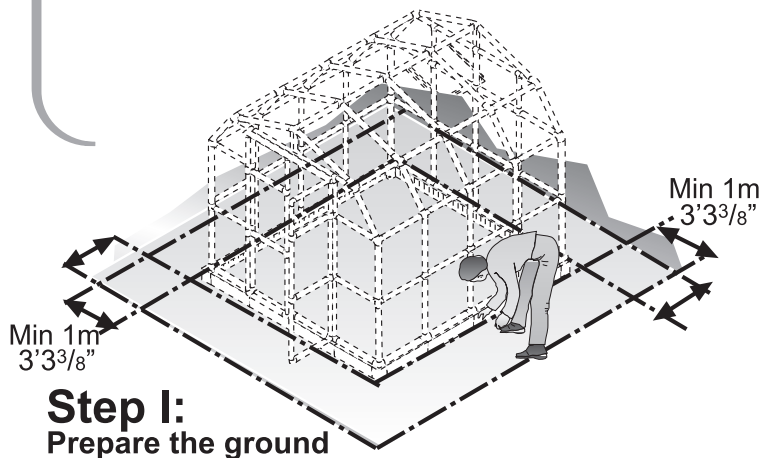
These symbols indicate your chosen greenhouse

Greenhouse type

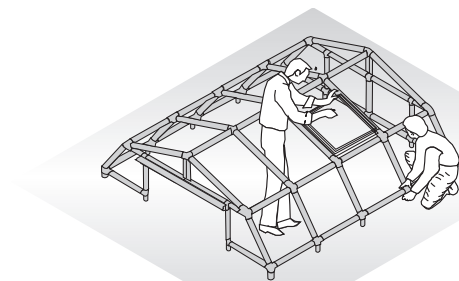


A**Introducing your Modular Greenhouse**

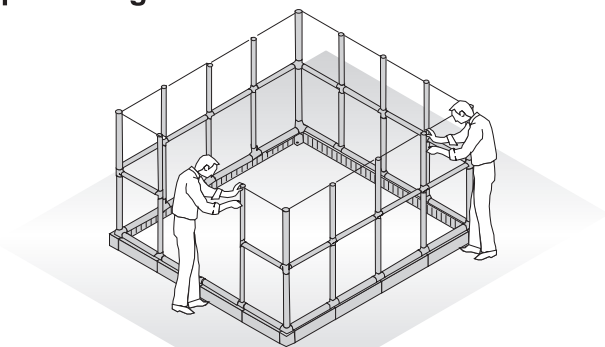
B The five procedures in building a greenhouse



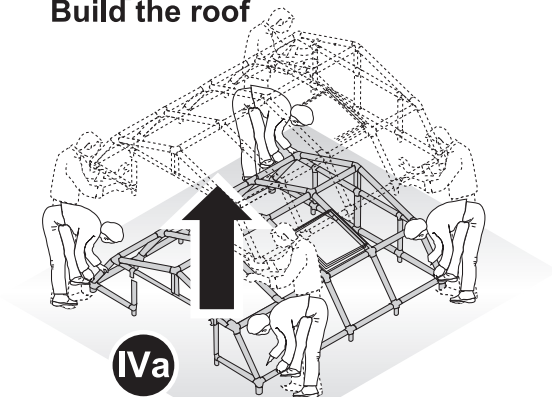
Step I:
Prepare the ground



Step II:
Build the roof See From Page 9

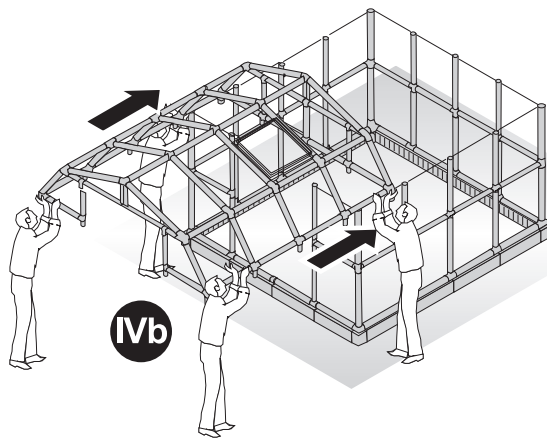


Step III:
Build base and walls See From Page 26

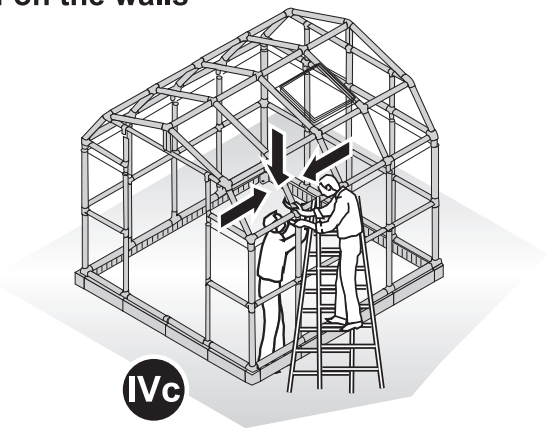


IVa

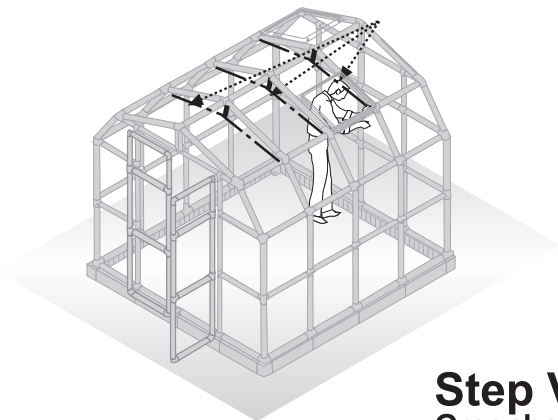
Step IV:
Attach the assembled roof on the walls See From Page 33



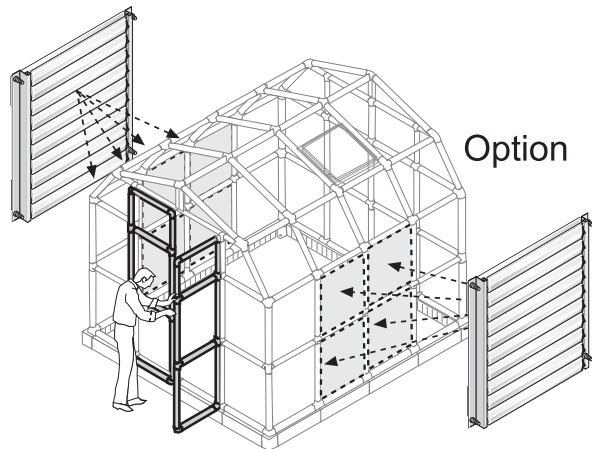
IVb



IVc



Step V:
Greenhouse Interior:
doors and louvered window



Option
See From Page 35

Parts list

CLEAR OPAQUE	Part Code	Quantity			
		Front	Back	Modul	
	BC	2	2	4	Long Length 682mm 2' 2 ¹⁴ / ₁₆ "
	BB	4	4		Short Length 624mm 2' 9 ¹⁶ / ₁₆ "
	BA	2	2		Corner Connector
	01	2	2		Corner Frame Base Connector
	B2	6	6	4	Base Profile (500 mm, 1' 7 ¹¹ / ₁₆ "
	2D	3	4	4	Frame Connector
	15	1			Door Frame Connector
	3A	1	1		Left Rib Connector
	4A	1	1		Right Rib Connector
	5A	3	2	10	Rib Connector
	6A	1	1		Left Pediment Connector
	7A	1	1		Right Pediment Connector

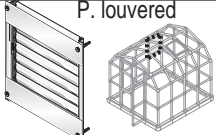
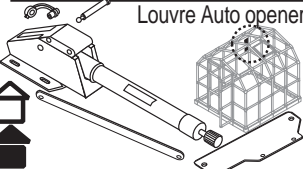
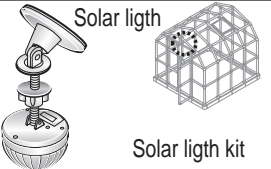
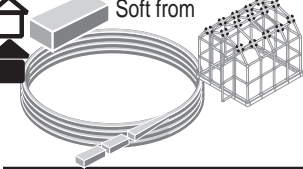

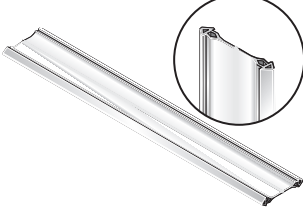
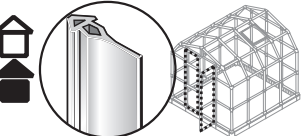

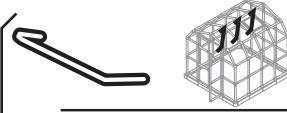
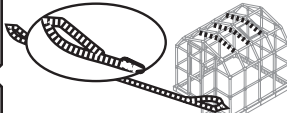
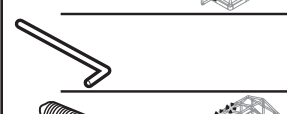

CLEAR OPAQUE	Part Code	Quantity			
		Front	Back	Modul	
	8A	1	1		Top Pediment Connector
	09	14	3		T - Oval Connector
	10	1	7	4	Oval Junction Connector
	16	2	2		Corner Frame Connector
	18	4			Corner Oval Connector
	18D	4			Corner Oval Connector (Door)
	E12	1			1162mm, 3'9 ³ / ₄ "
	E6	1	1	4	850mm, 2'9 ⁷ / ₁₆ "
	E2	20	18	18	540mm, 1'9 ¹ / ₄ "
	E4	6	3		394mm, 1'3 ¹ / ₂ "
	E5	2	2		134mm, 5 ¹ / ₄ "
	E28	12	8	8	
	R28	4	4		672mm 2'2 ⁷ / ₁₆ "
	R8	2	2		802mm, 2'7 ⁹ / ₁₆ "
	R2	2	2		534mm, 1'9"
	Door H55	1			Door Handle
	SR1	2			Inner Round Profile (400mm, 1'3 ³ / ₄ "
	D1	1	1		Side Cap
	D2	1	2		Middle Cap

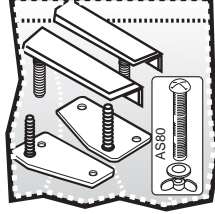
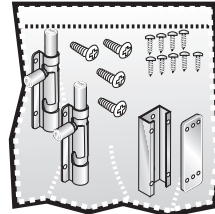
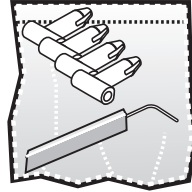
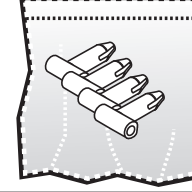
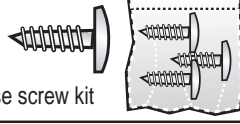
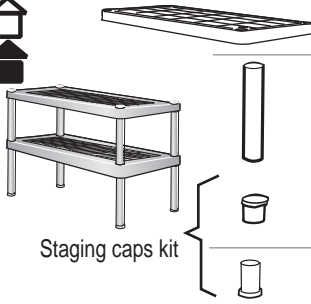

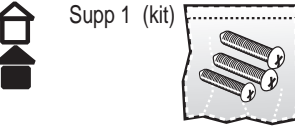
Parts list

CLEAR OPAQUE	Part Code	Quantity			Modul
		Front	Back		
	PN 40A	2	2		617x976mm, 2' ⁵ / ₁₆ x3'2' ⁷ / ₁₆ "
	PN 40			3	605x976mm, 1' ¹³ / ₁₆ x3'2' ³ / ₈ "
	PN 2A	2	2		617x667mm, 2' ⁵ / ₁₆ x2'2' ¹ / ₄ "
	PN2			4	605x667mm, 1' ¹³ / ₁₆ x2'2' ¹ / ₄ "
	PN9	2	2		599x447mm, 1'11 ⁹ / ₁₆ x1'5 ³ / ₈ "
	PN61	2	2		597x447mm, 1'11 ¹ / ₂ x1'5 ¹⁰ / ₁₆ "
	PN60	12	12	7	597x725mm 1'11 ¹ / ₂ x2'4 ⁹ / ₁₆ "
	PP1	12	12	7	597x725mm 1'11 ¹ / ₂ x2'4 ⁹ / ₁₆ "
		1	1	1	
	PN5L (Left)	1	1		581x449mm, 1'10 ⁷ / ₈ x1'5 ¹¹ / ₁₆ "
	PN5R (Right)	1	1		581x449mm, 1'10 ⁷ / ₈ x1'5 ¹¹ / ₁₆ "
	PN8L (Left)	1	1		Pediment Panel Half 855x274mm
	PN8R (Right)	1	1		2'9 ¹¹ / ₁₆ x10 ¹³ / ₁₆ "
	ST7	2	2		Window Couplers 261mm 10 ¹ / ₄ "
	WIN33			1	Roof Vent
	WINH31			2	Roof Vent handles-
				1	Louvre Auto opener

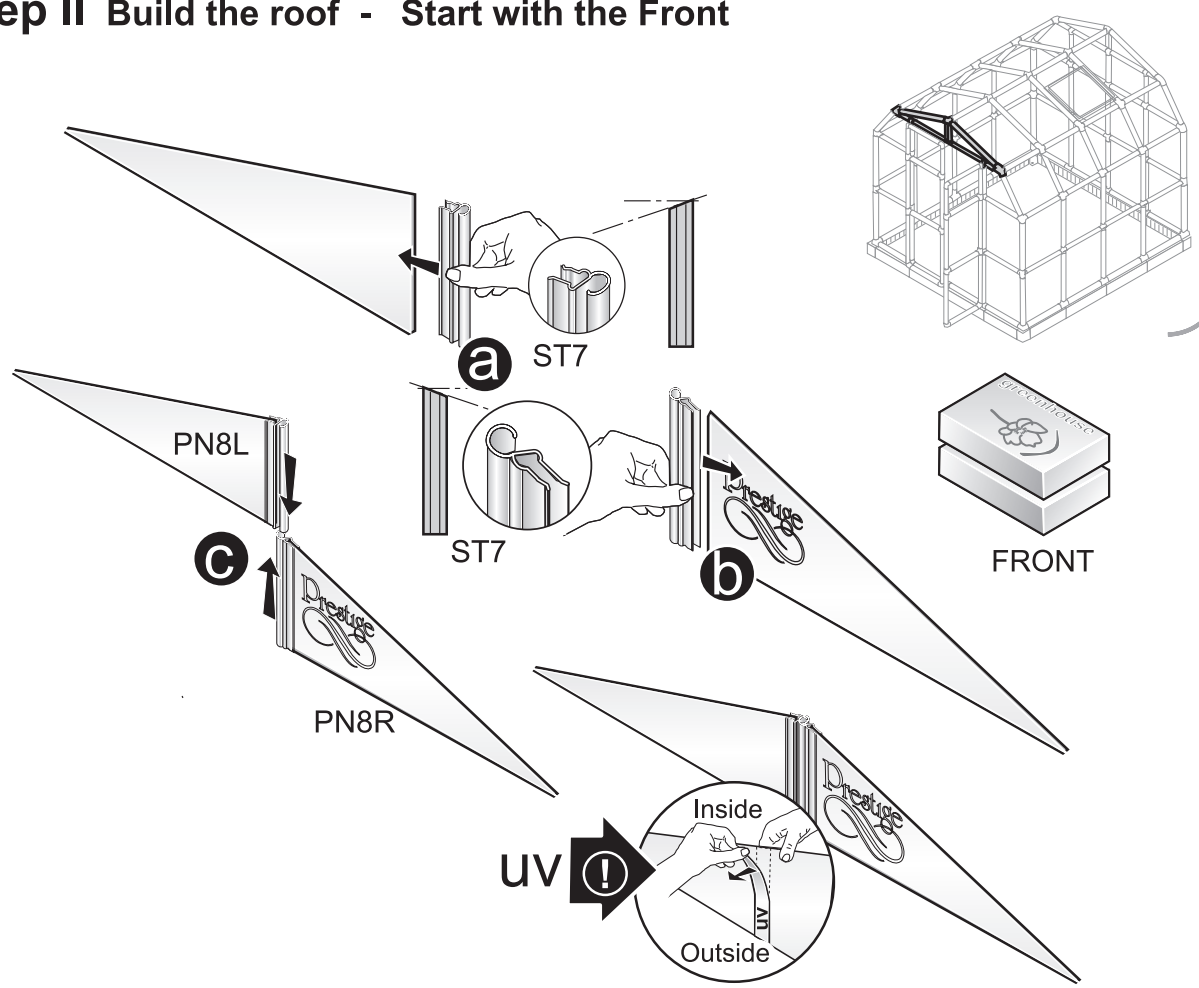
CLEAR OPAQUE	Part Code	Quantity			Modul
		Front	Back		
	GSC10		2		Back Pediment Strengthening Bar 820mm, 2'8 ¹ / ₄ "
	RA1	1	1	2	573mm, 2'10 ⁹ / ₁₆ .
	RB4	1	1	4	848mm, 2'9 ³ / ₈ "
	RB6	2	2		800mm, 2'7 ¹ / ₂ "
	RB1	3	3	4	520mm, 1'8 ¹ / ₂ "
	RC5	3	3	4	955mm, 3'1 ⁵ / ₈ "
	RC1	3	3	4	666mm, 2'2 ¹ / ₄ "
	RC3	1	1	2	580mm, 1'10 ¹³ / ₁₆ "
	RD1	4	4	8	569mm, 1'10 ³ / ₈ "
	G10	1	1		590mm, 1'12"
	G11	1	1		660mm, 2'2"
	G2		2		1230mm, 4'7 ¹⁶ / ₁₆ "
	G7	1	1		
	G3	2	2	4	
	G5	1	1	2	
	G6	1	1		
	G4	1	1		
	G9	1	1		
	G8	2	2		
		2	2		

Parts list

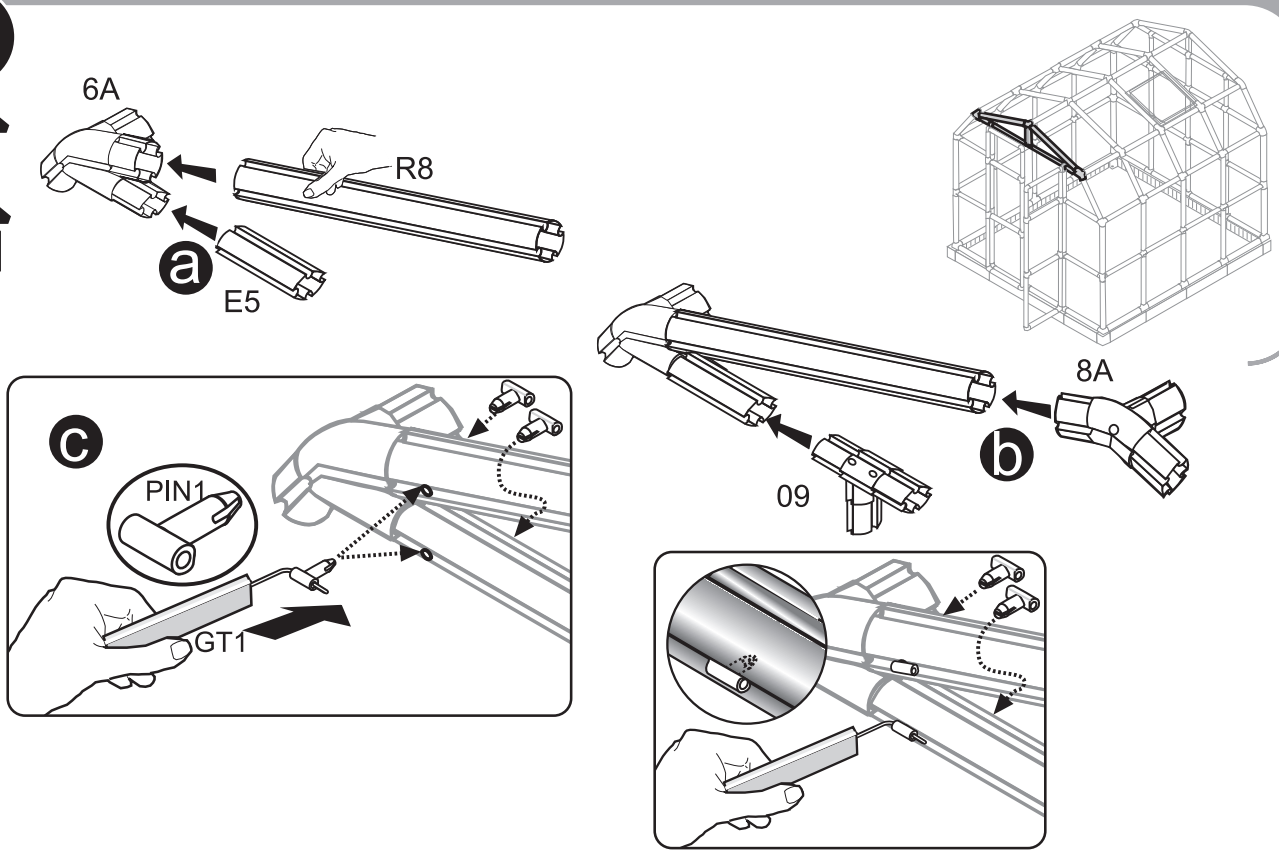
CLEAR OPAQUE	Part Code	Quantity		
		Front	Back	Modul
				1
				1
		1		
	SF	1		
	GF	1	1	1
	WDS	2		
	DSN	1		
	BC1	1		
SUPP1 Roof Reinforcement Kit (Packets)				
Kit		Hook1		Top Catch
		Cab40	1	Cable
		AW5		Allen Wrench
		AS70		Cable Screw

CLEAR OPAQUE	Part Code	Quantity		
		Front	Back	Modul
	Hinge Kit	1		
	Bar Kit	1		
	Pin 1 + GT1 220pcs	1		
	Pin 1 160pcs			1
	Screw kit	1	1	1
	S1	2	2	2
	S3	8	8	8
	S2	1	1	1
	S4			
	Supp 2 (kit)			2
	Supp 1 (kit)	1		

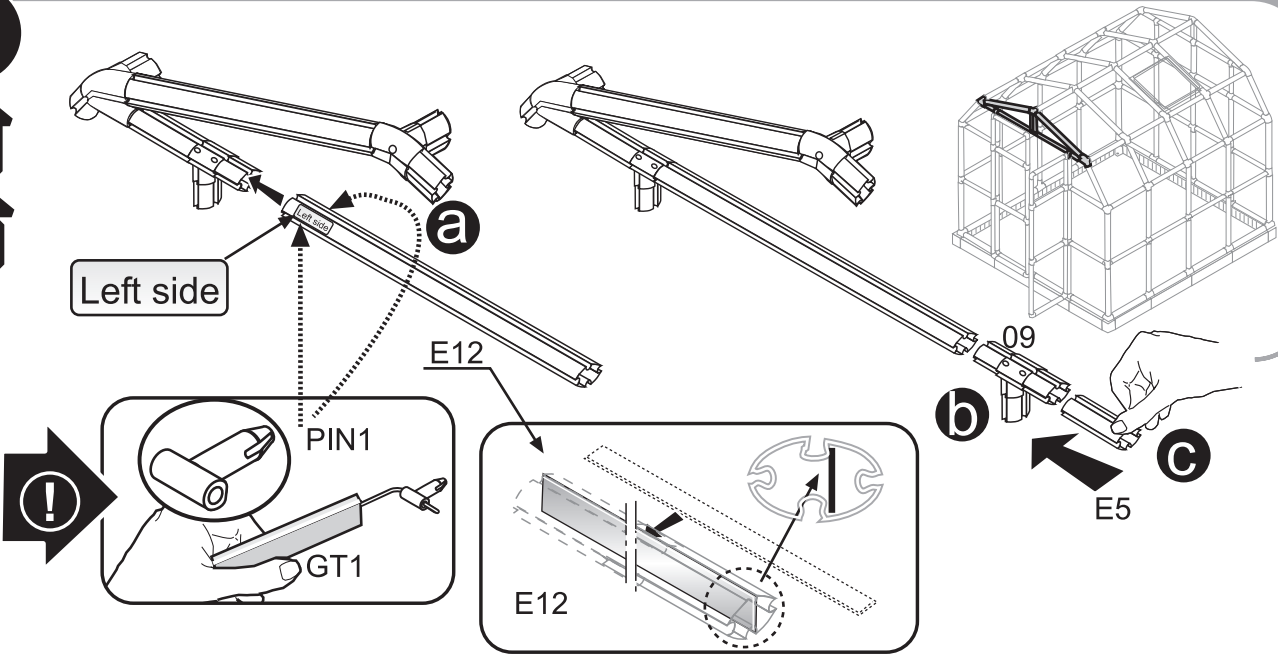
1 Step II Build the roof - Start with the Front



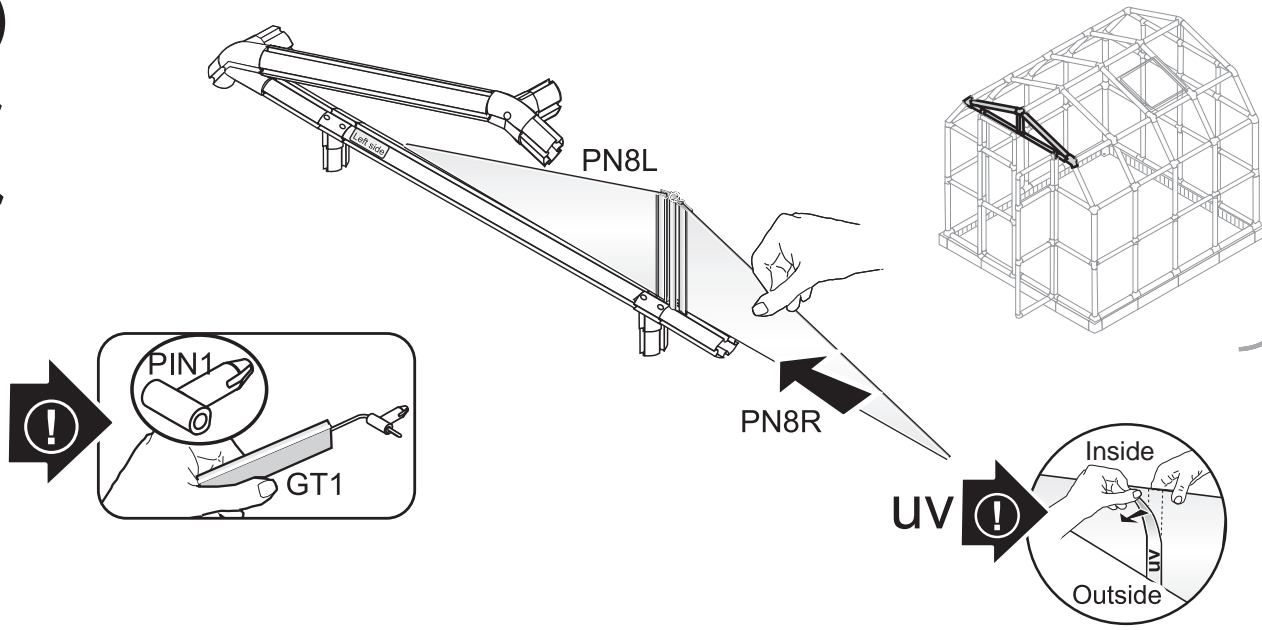
2



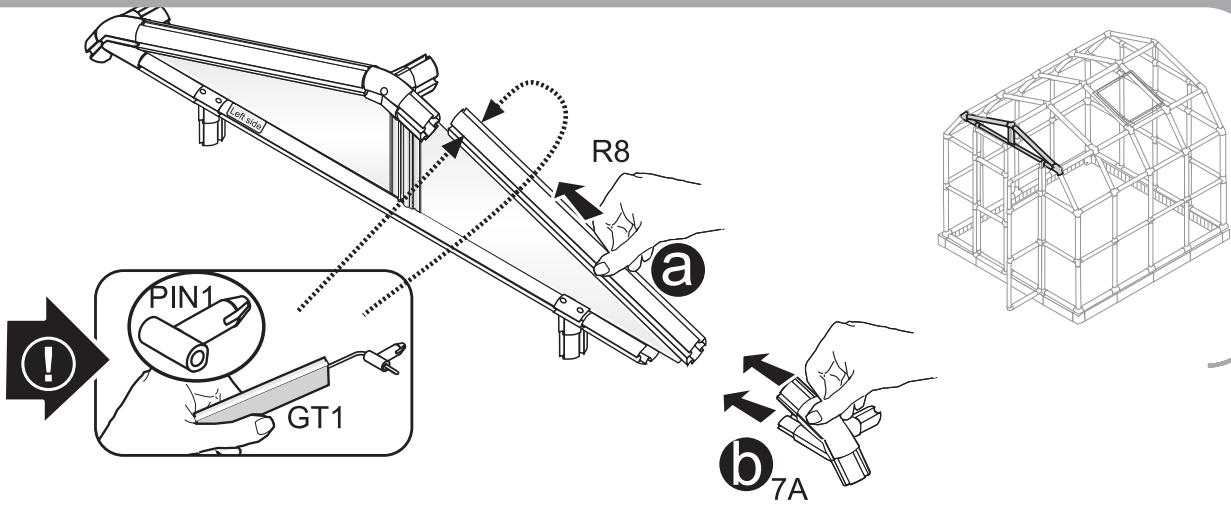
3



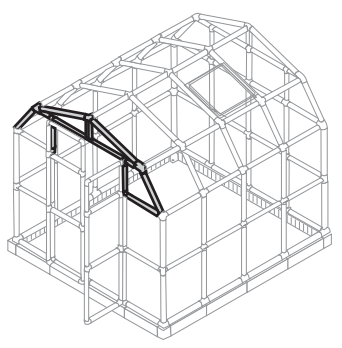
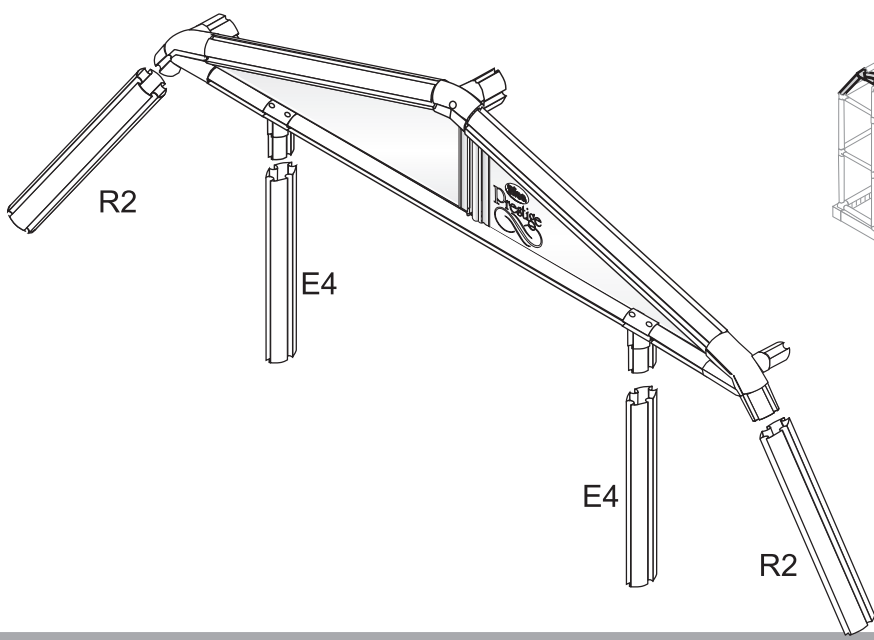
4



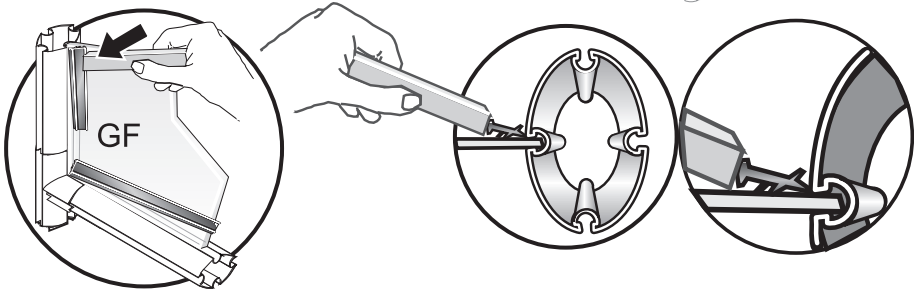
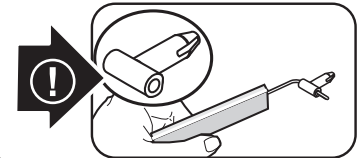
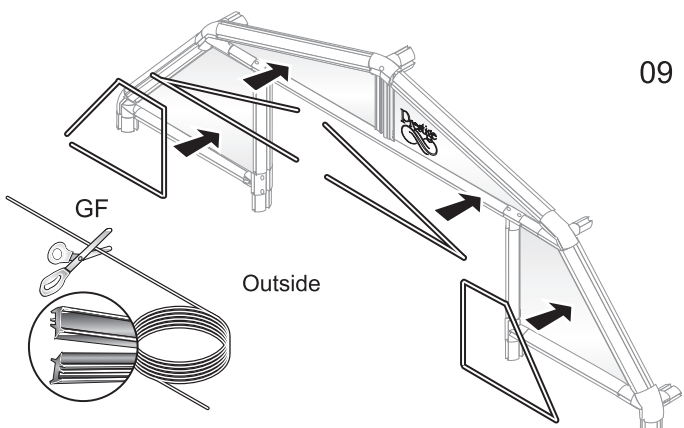
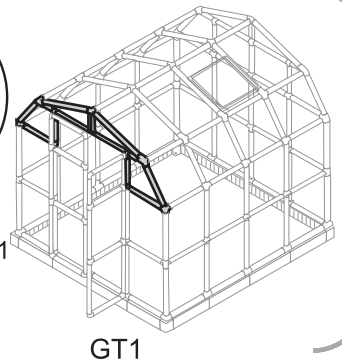
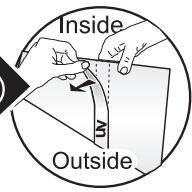
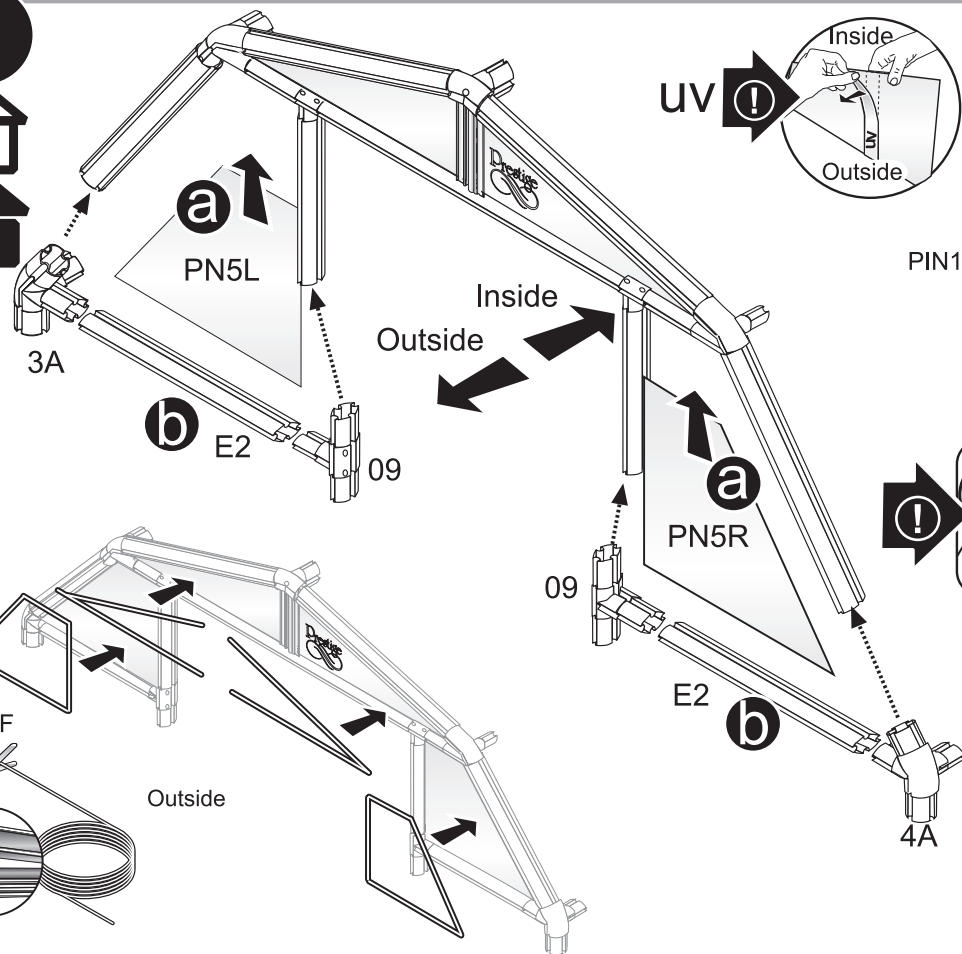
5



6

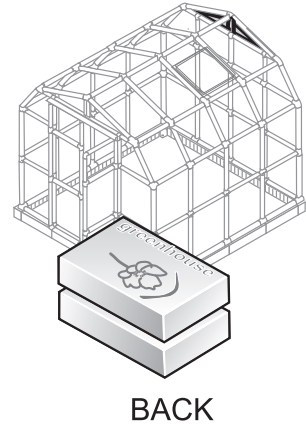
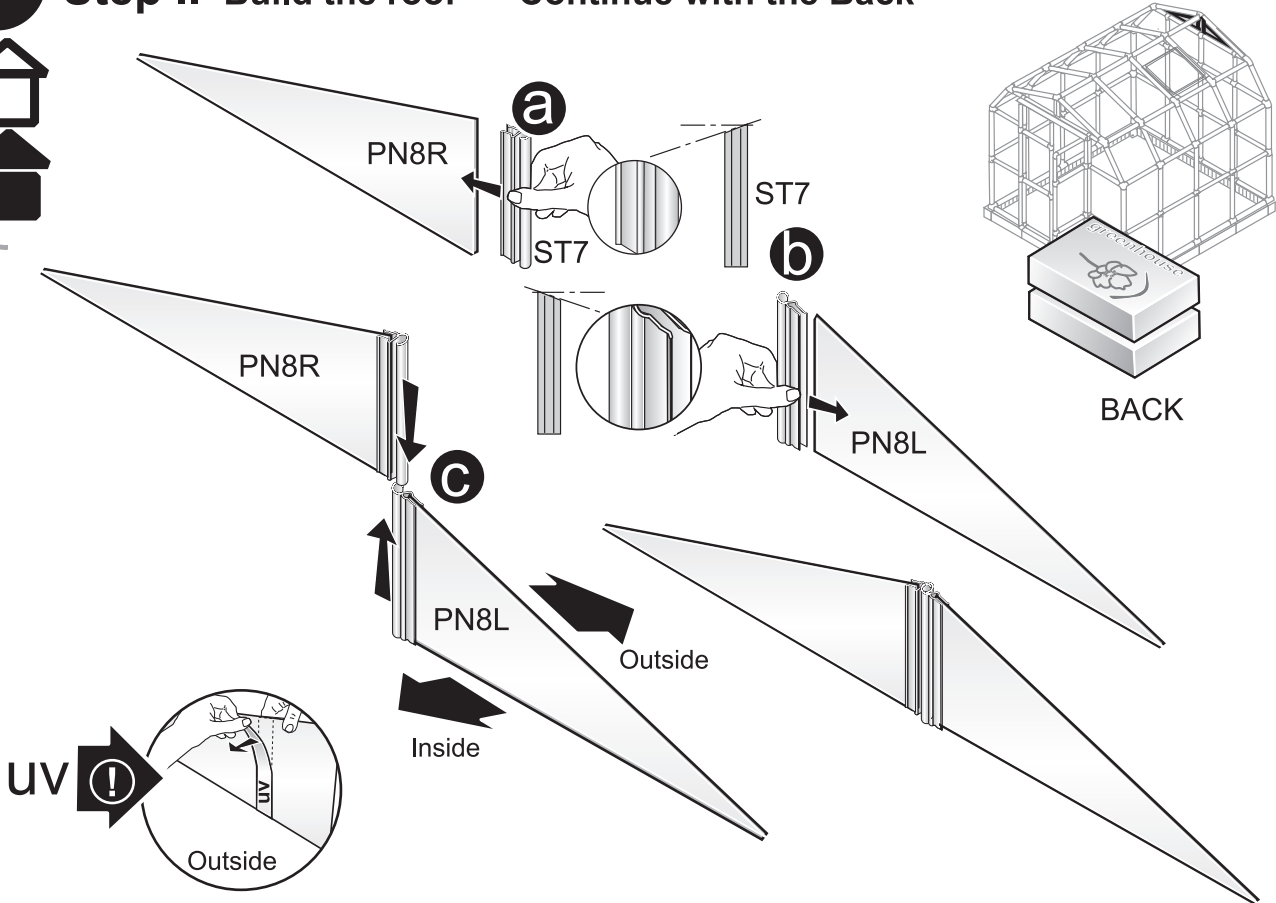


7

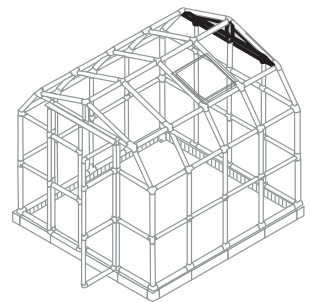
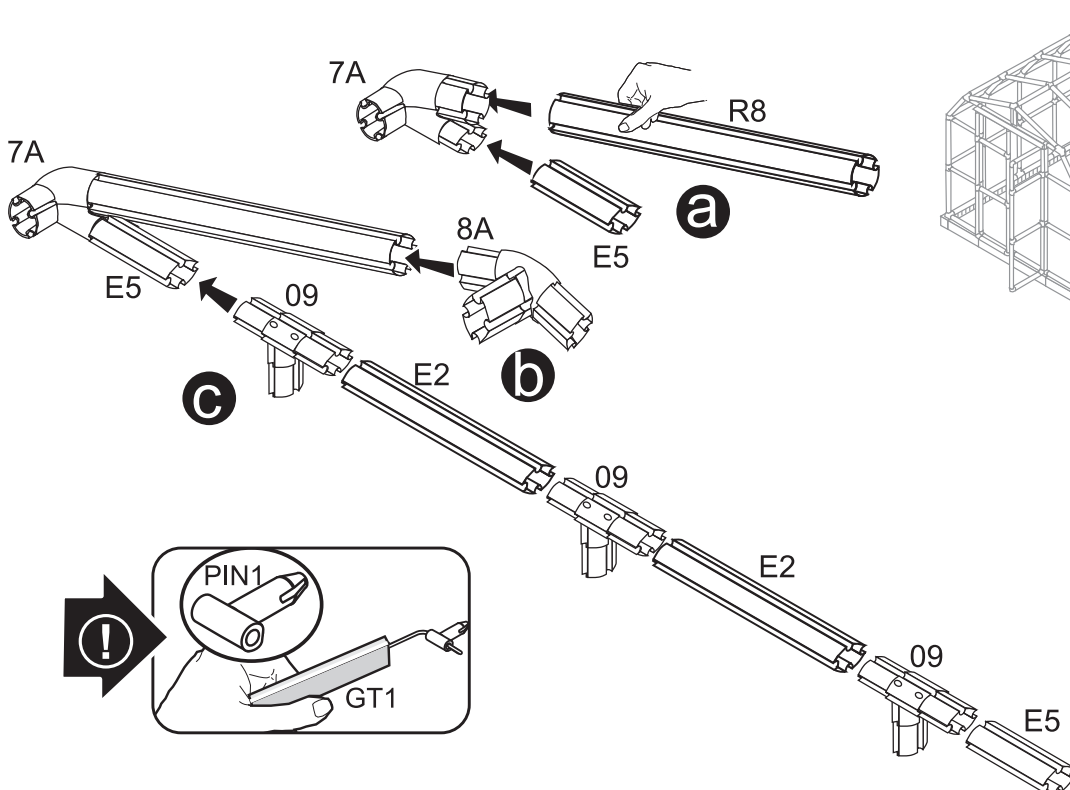


8

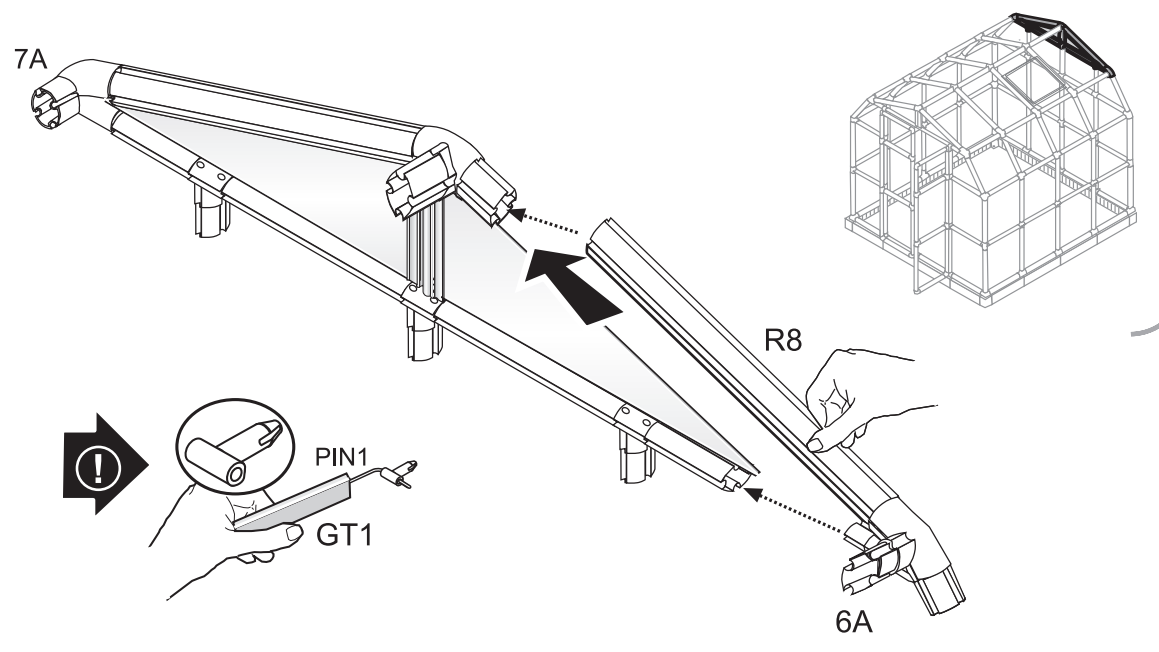
Step II Build the roof - Continue with the Back



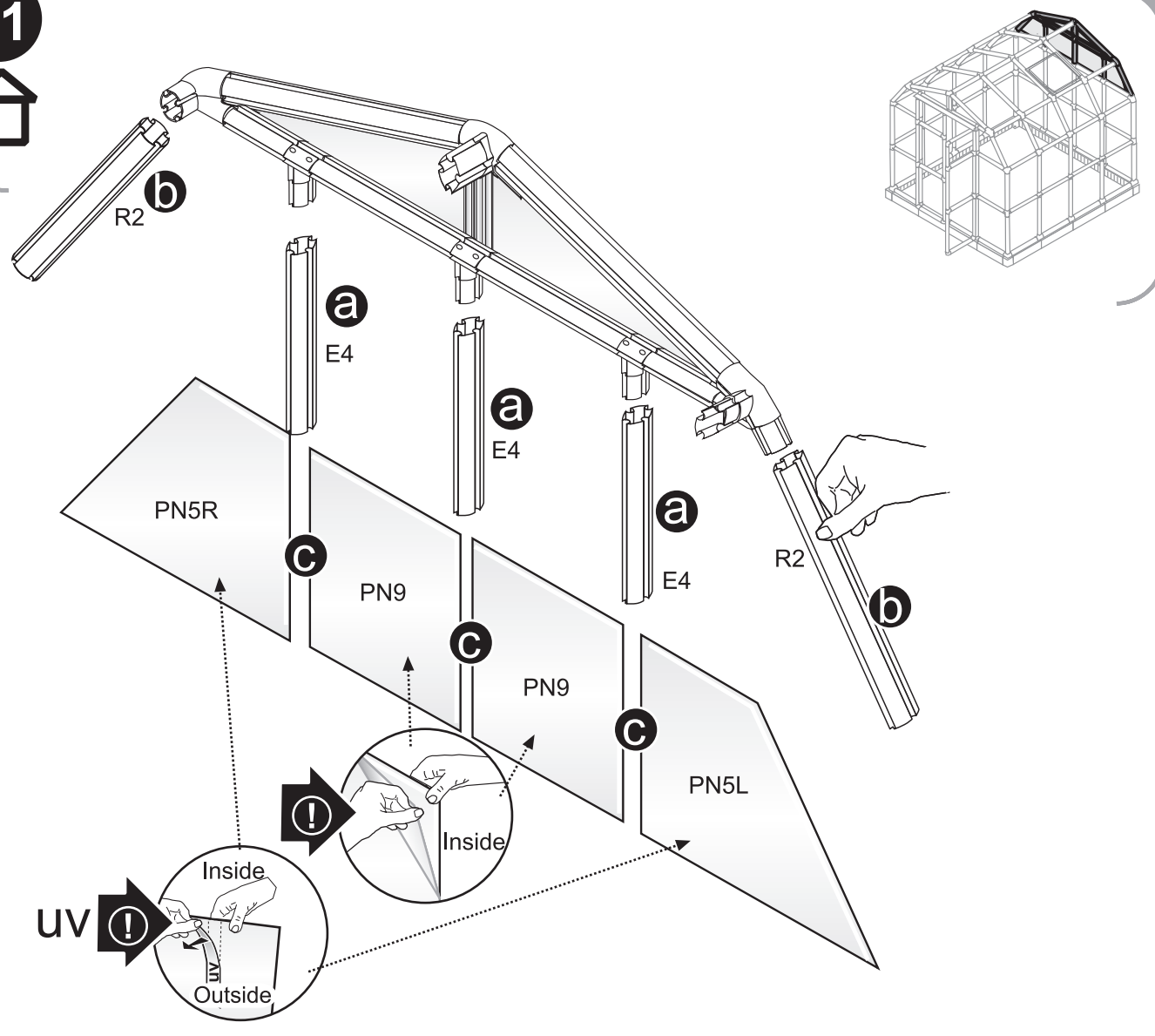
9



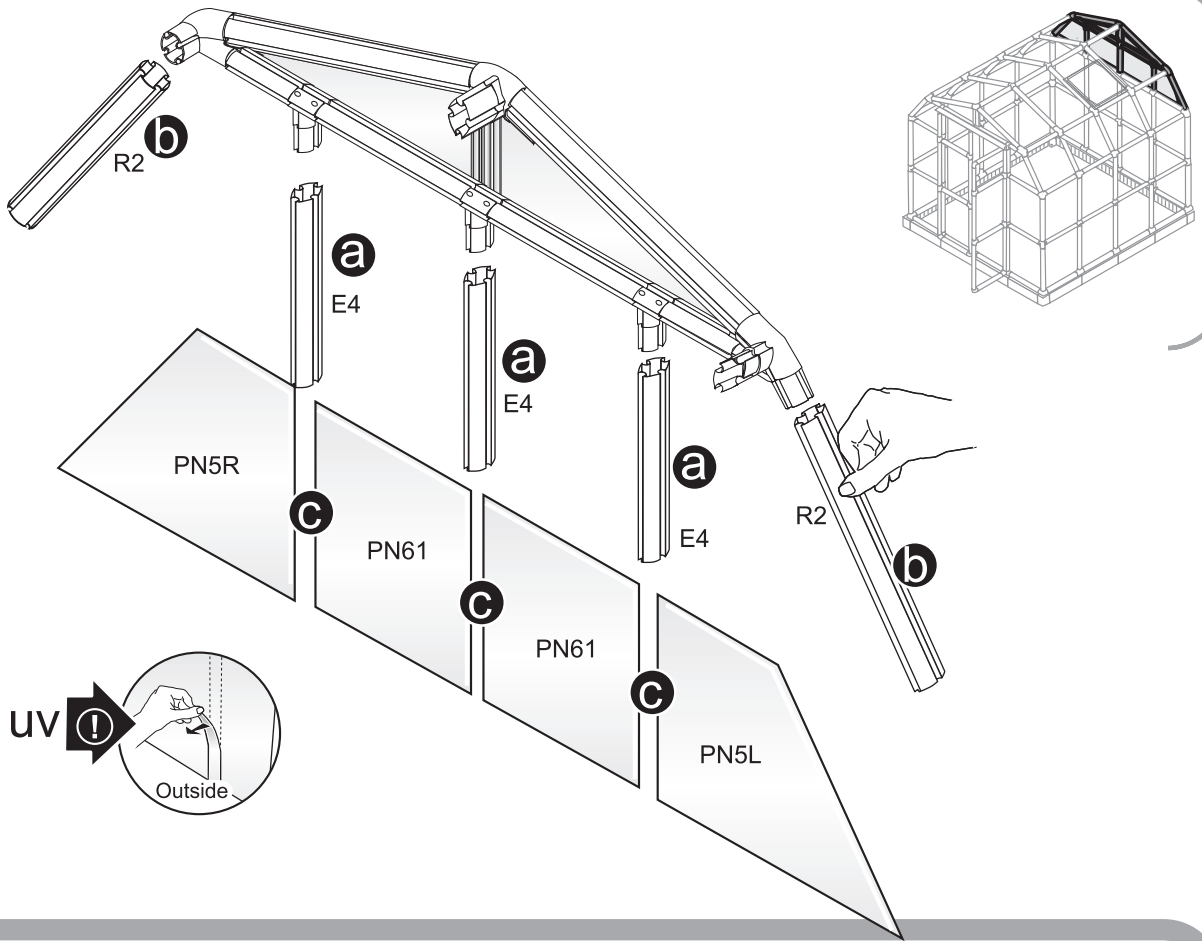
10

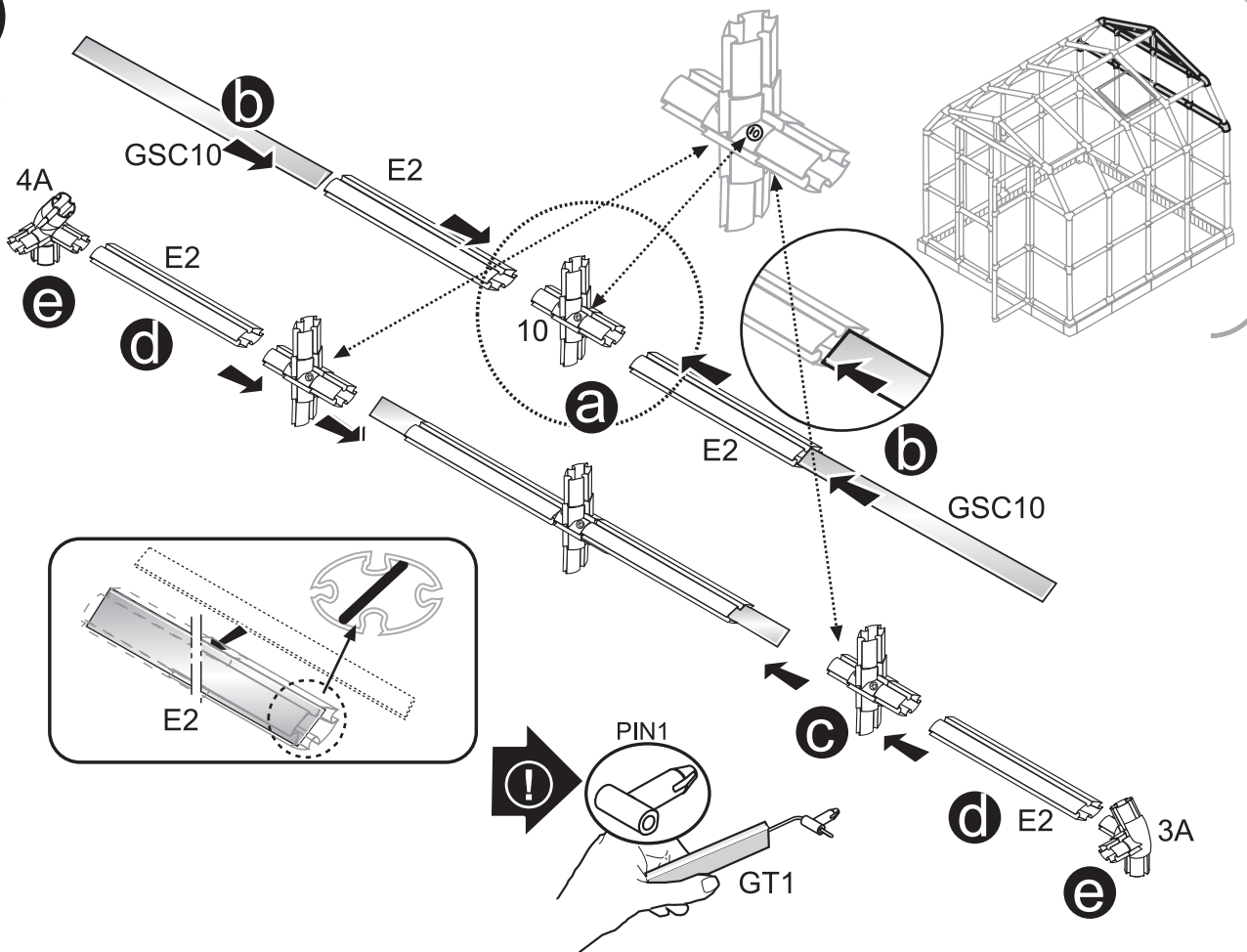
11

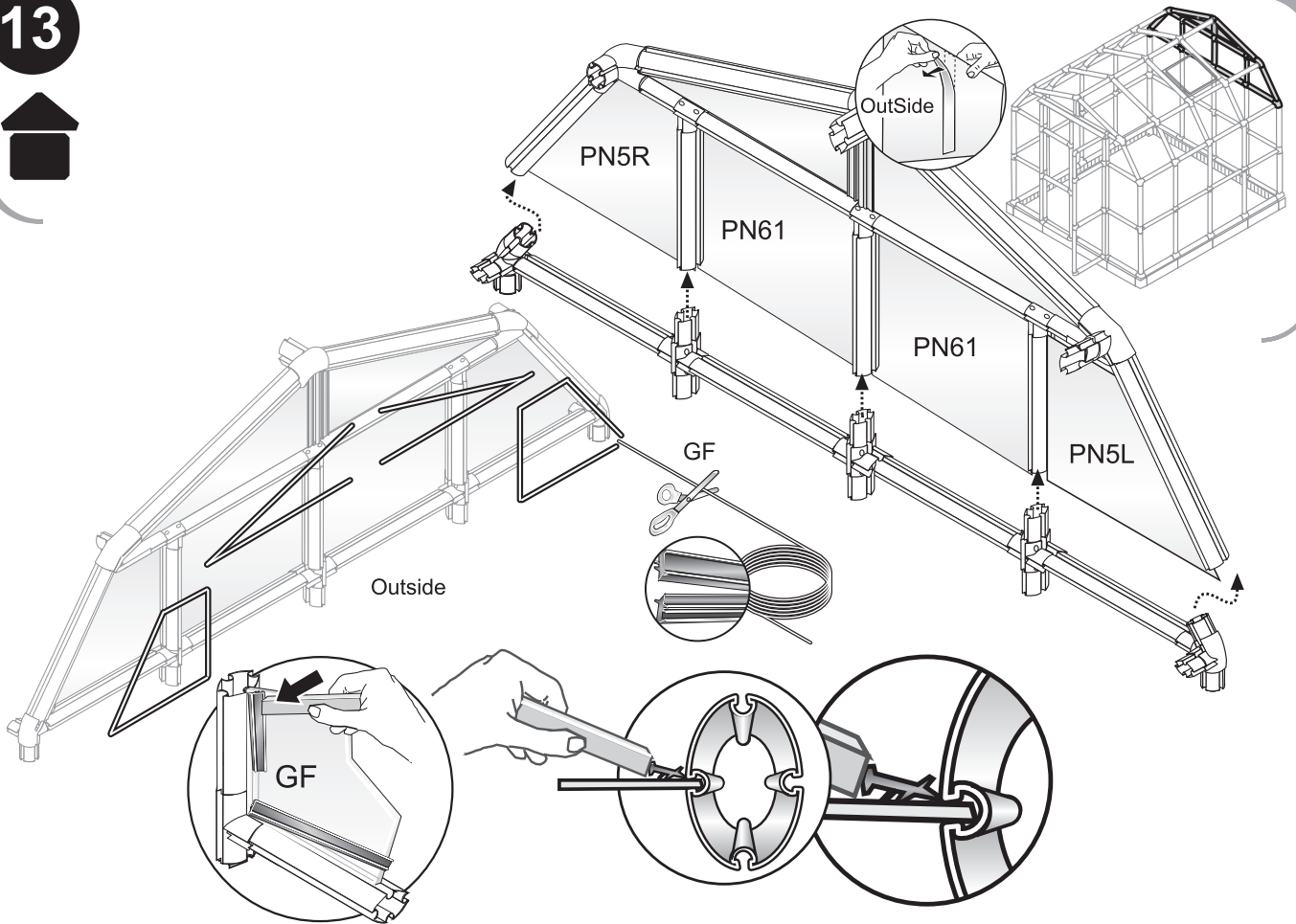
11



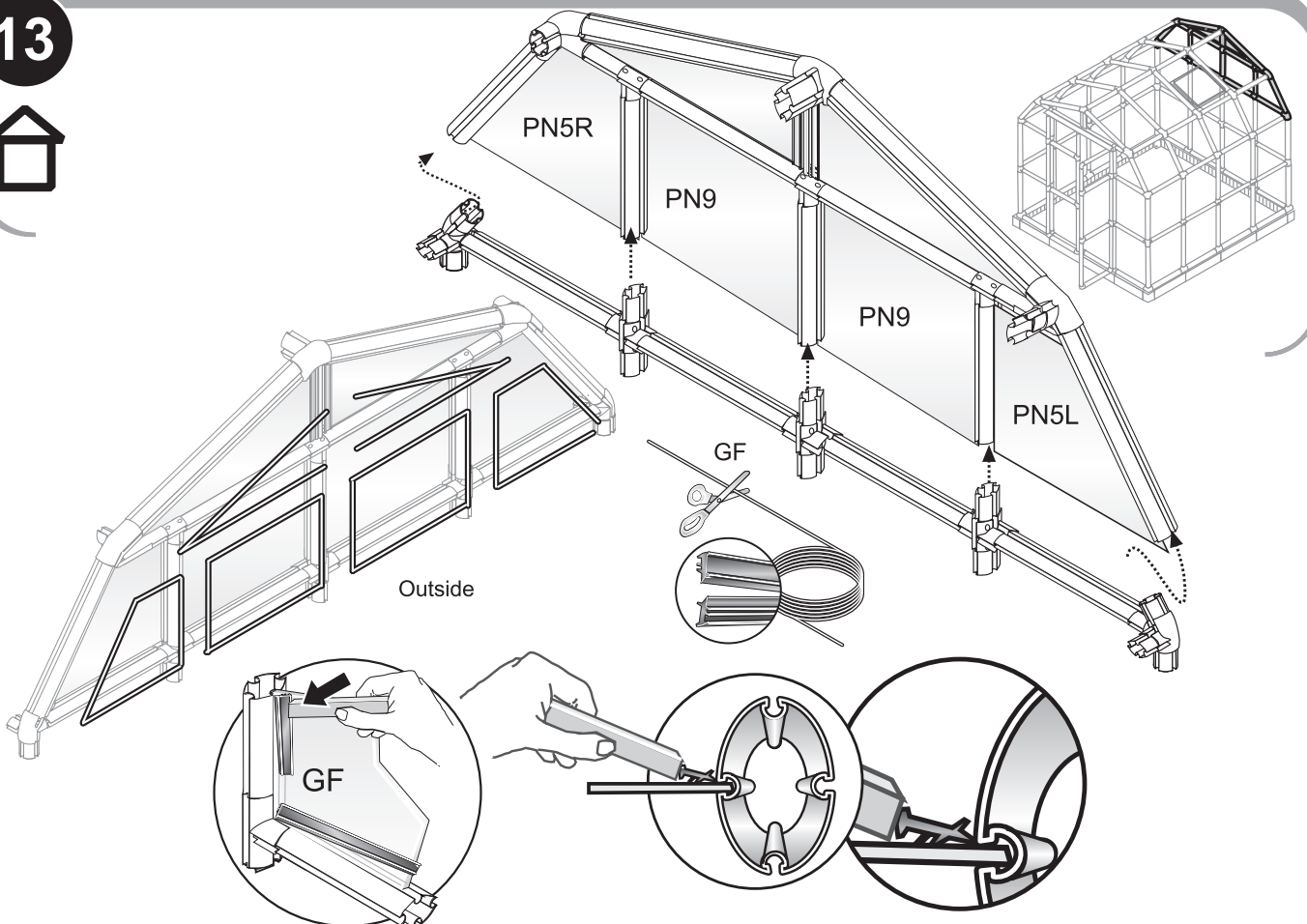
12



13

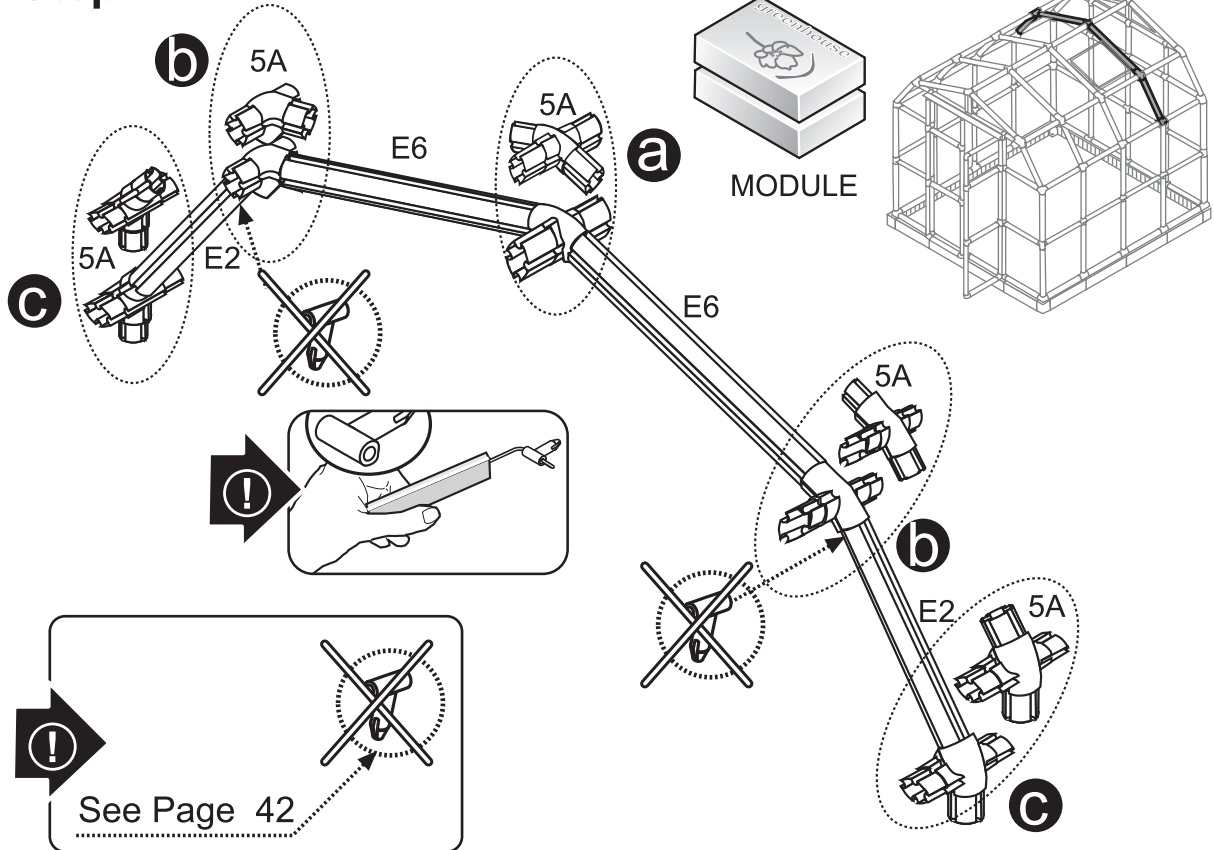


13

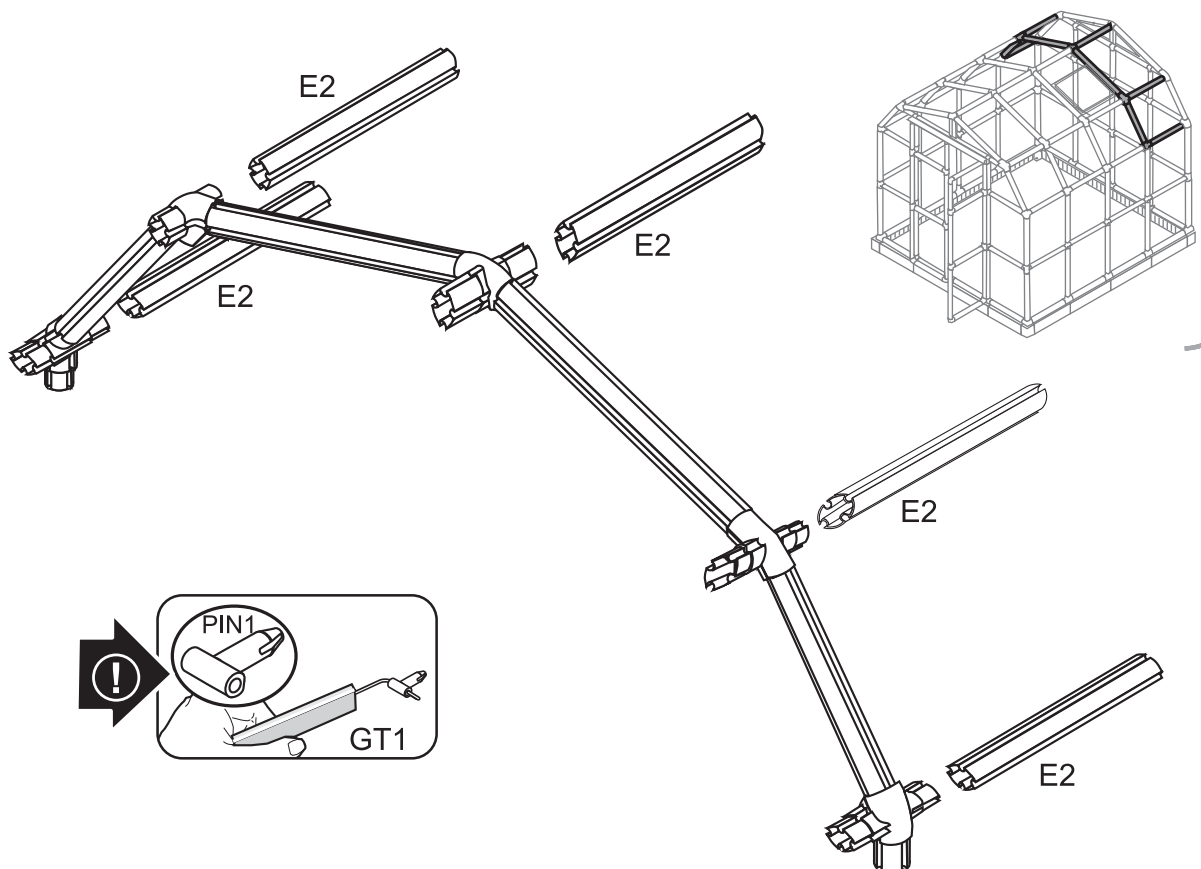


14

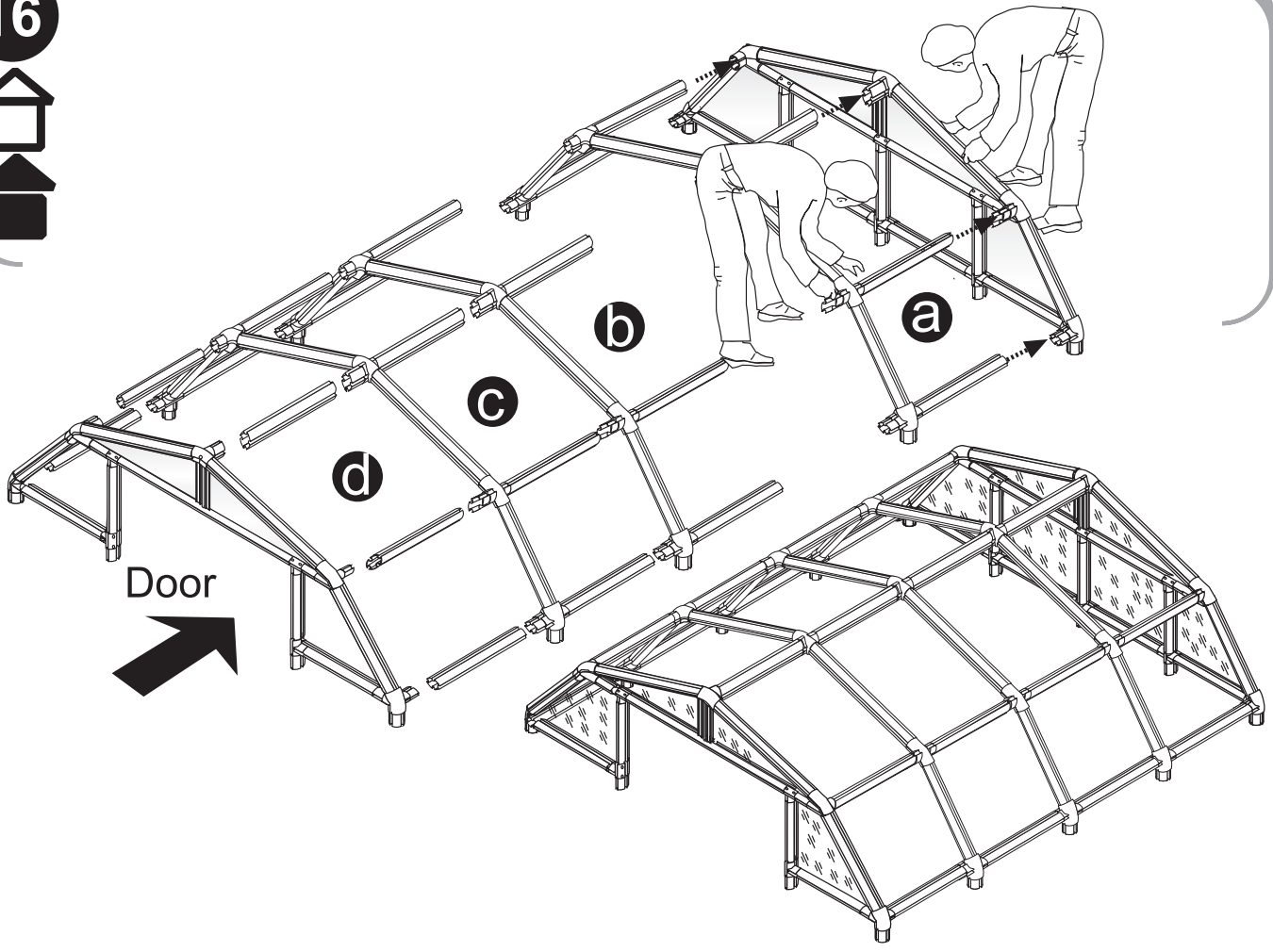
Step II Build the roof - Continue with the Module



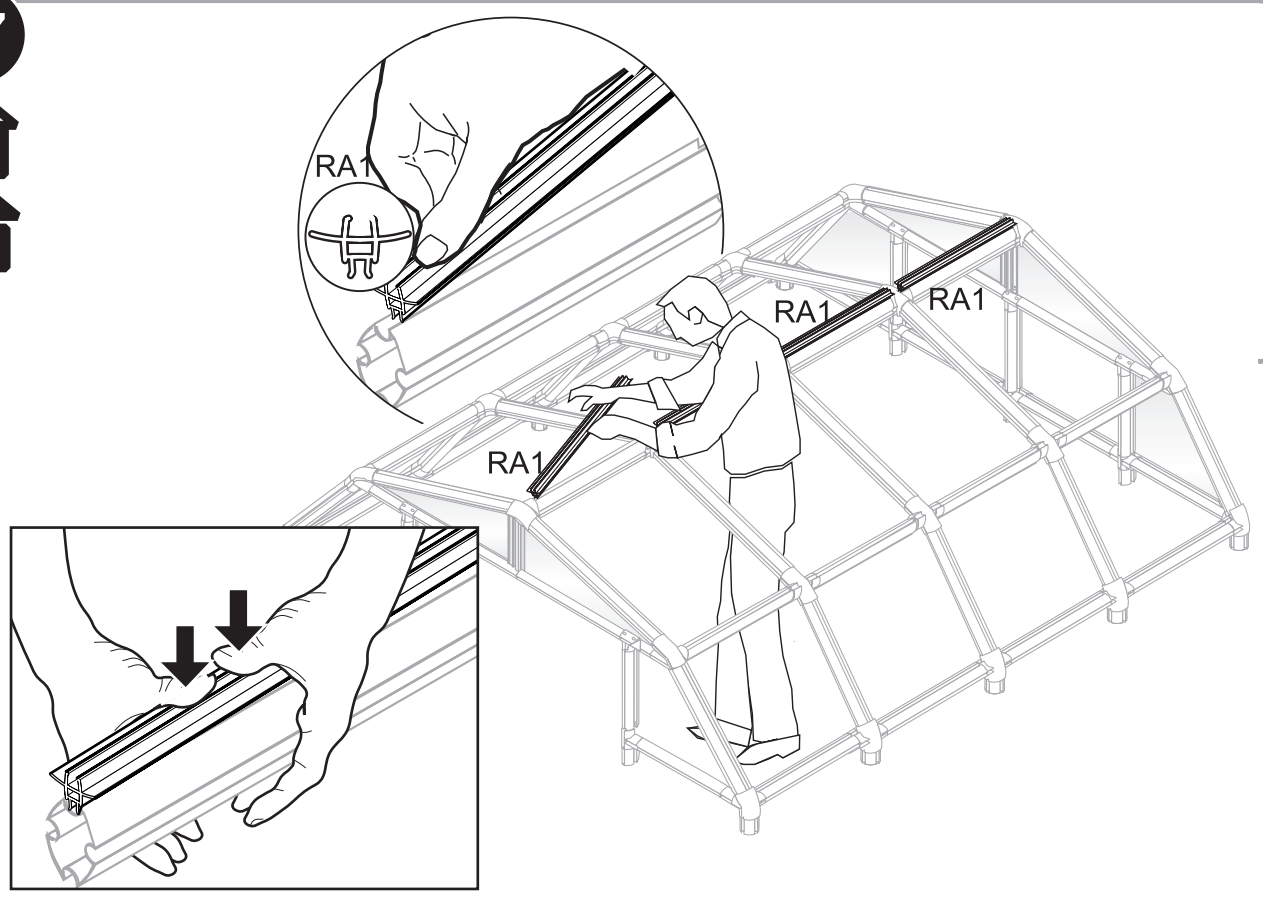
15



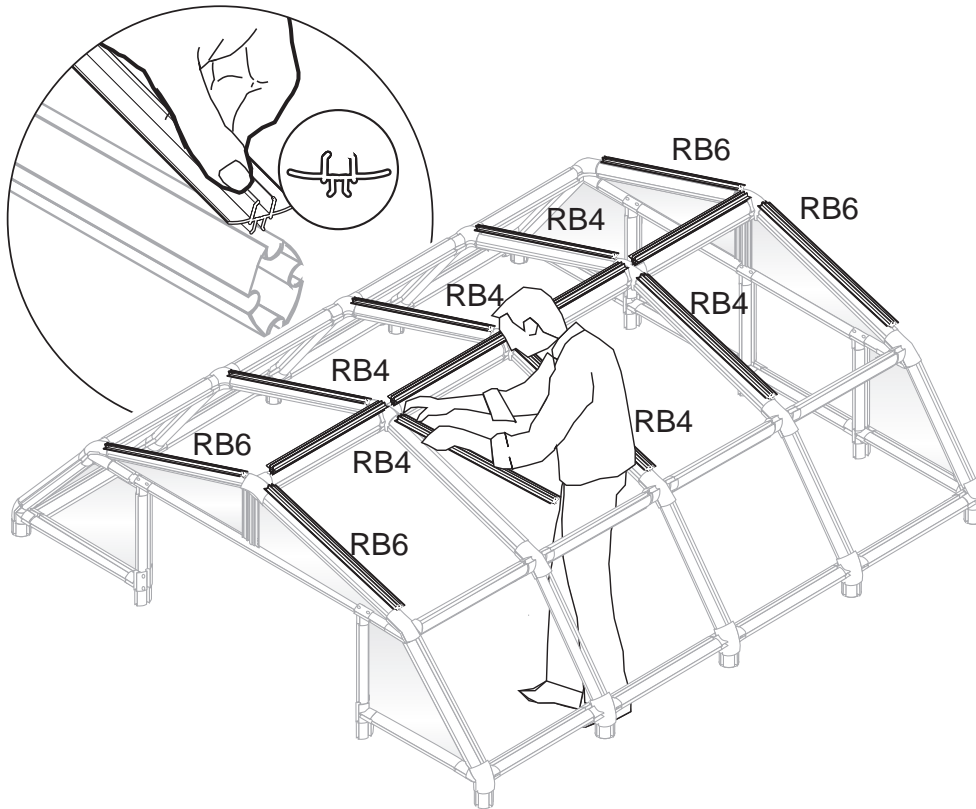
16



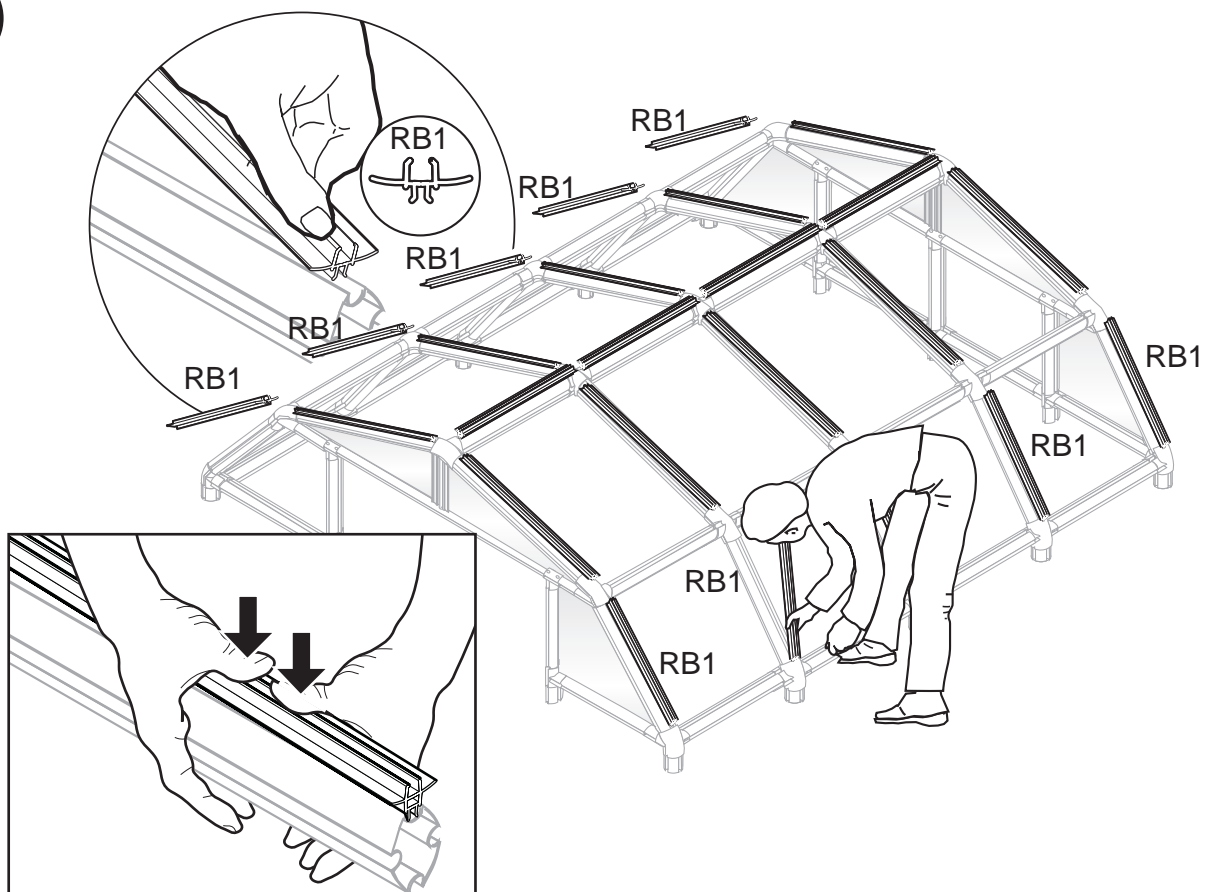
17



18

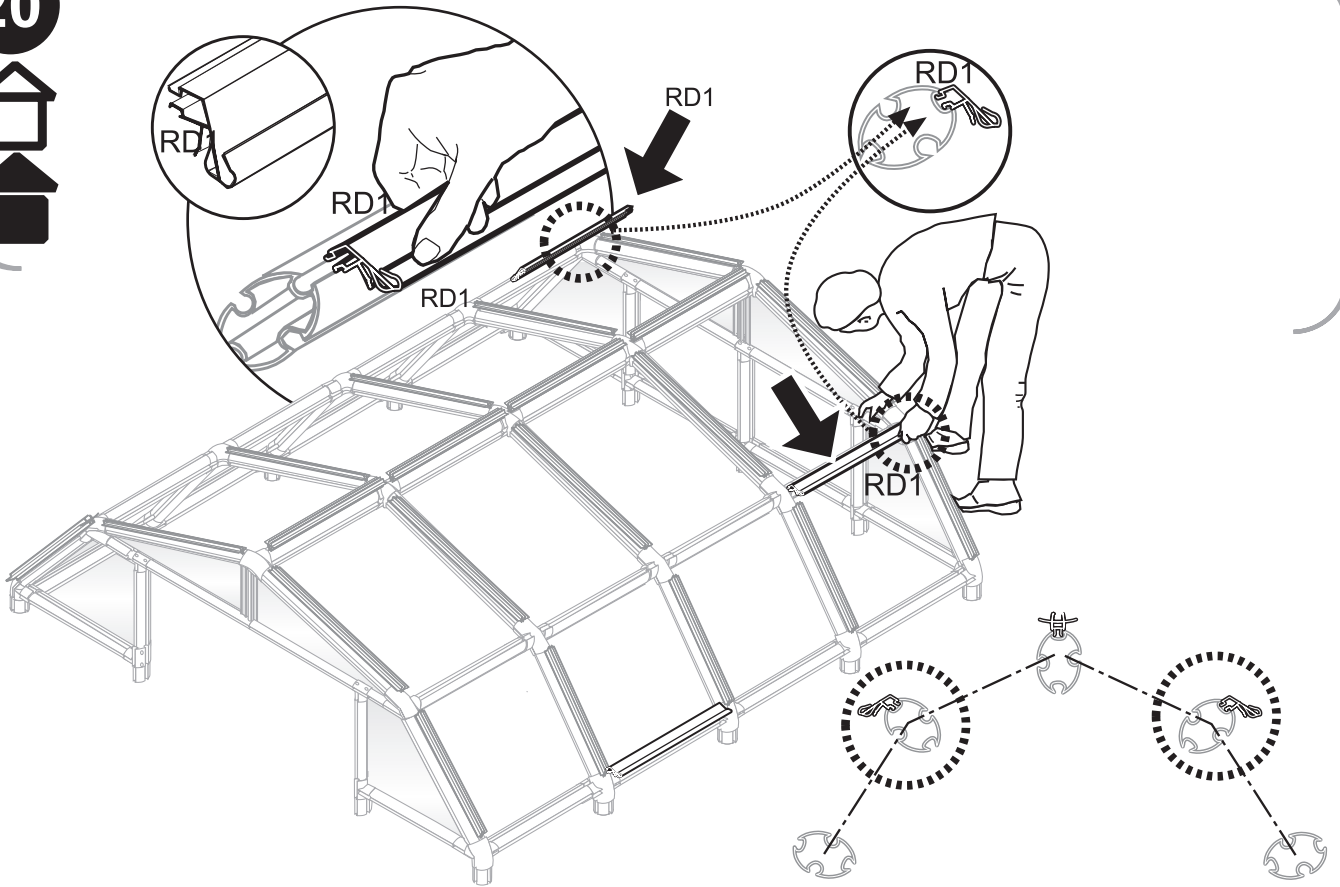


19

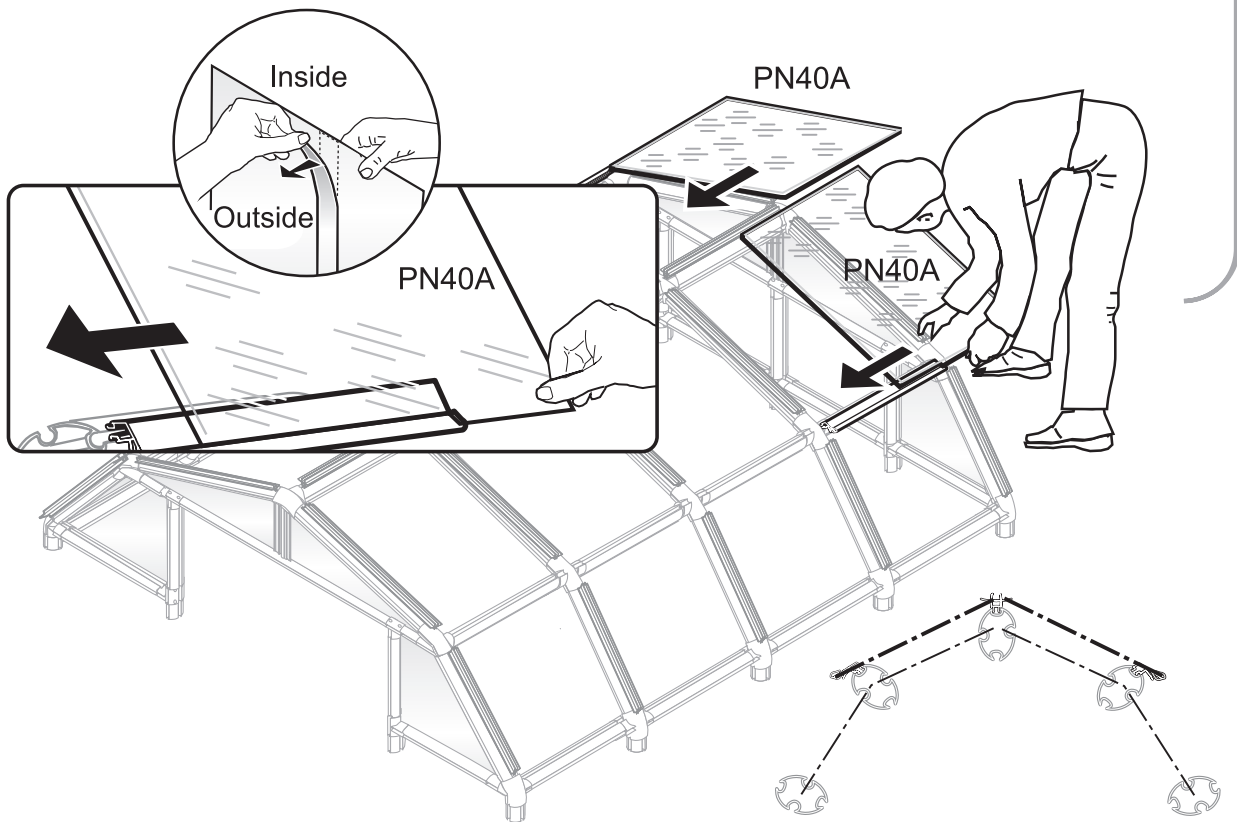


1. You may find some parts easier to assembly if you moisten them with soapy water .
2. Caution: extra efforts while inserting the profile might needed in order to keep the profile in its place for the greenhouse's life

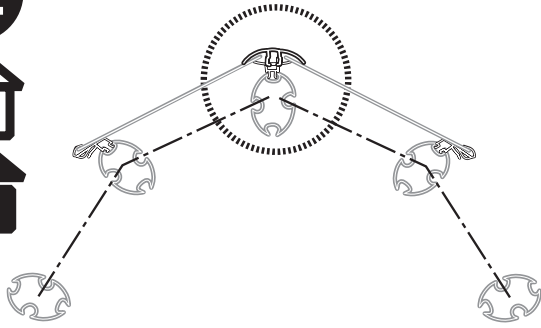
20



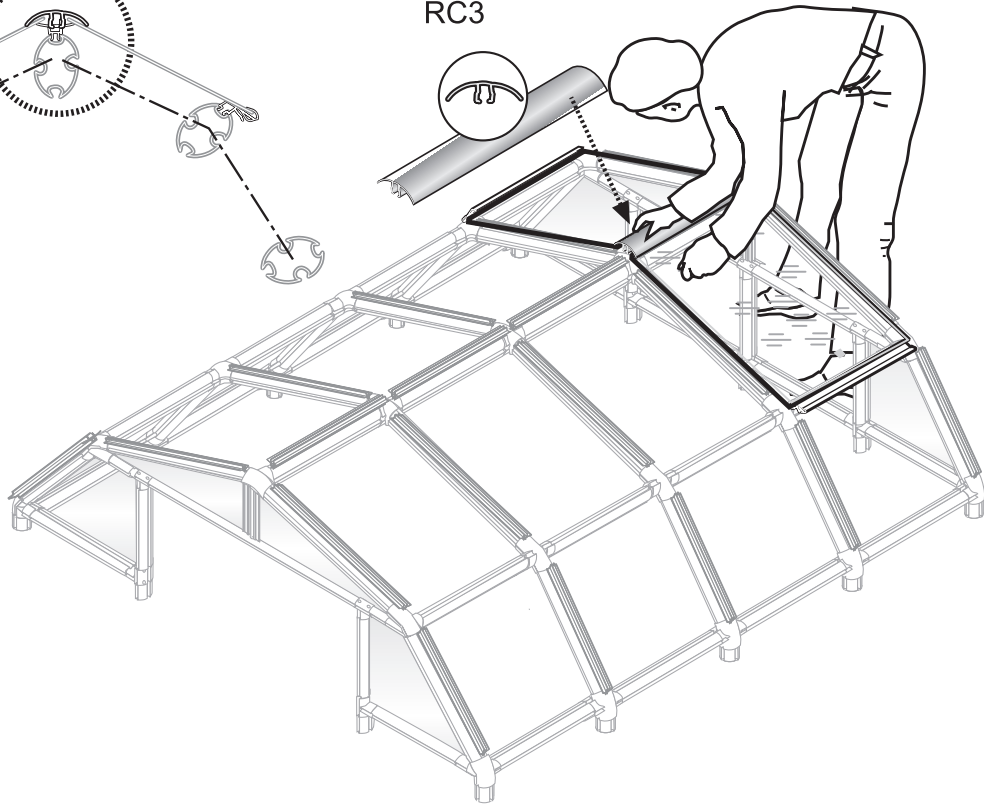
21



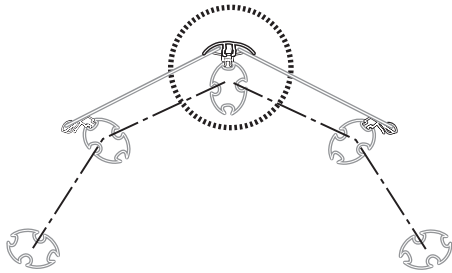
22



RC3



23

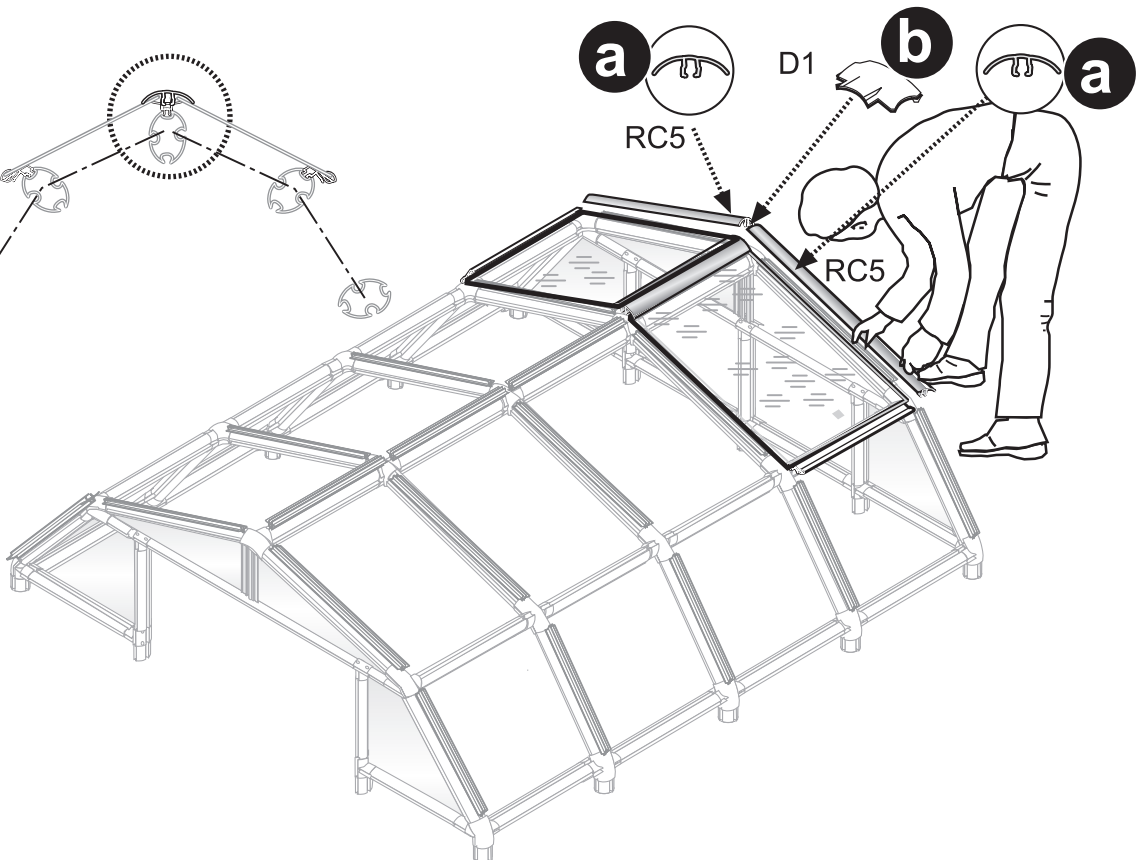


D1

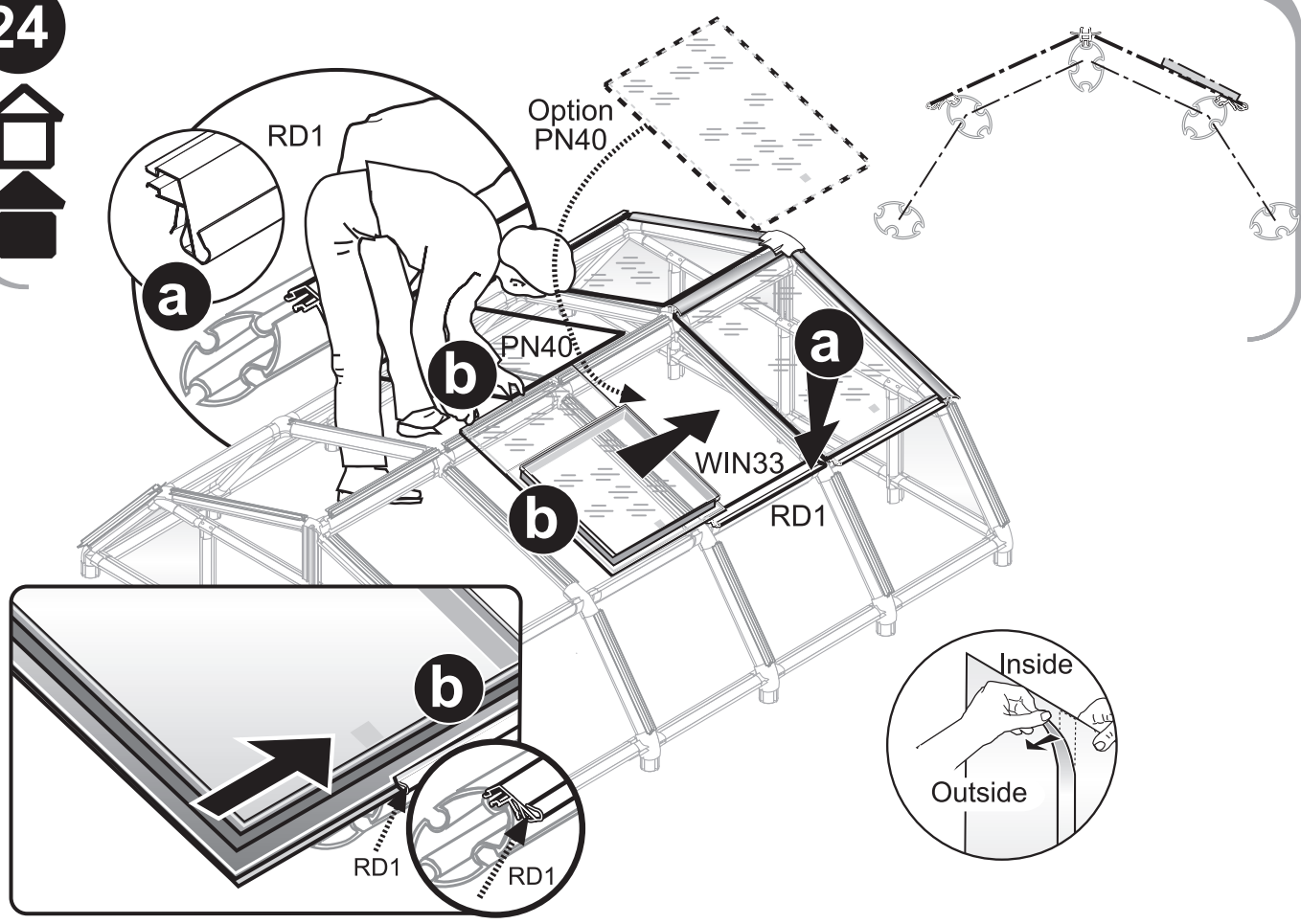


RC5

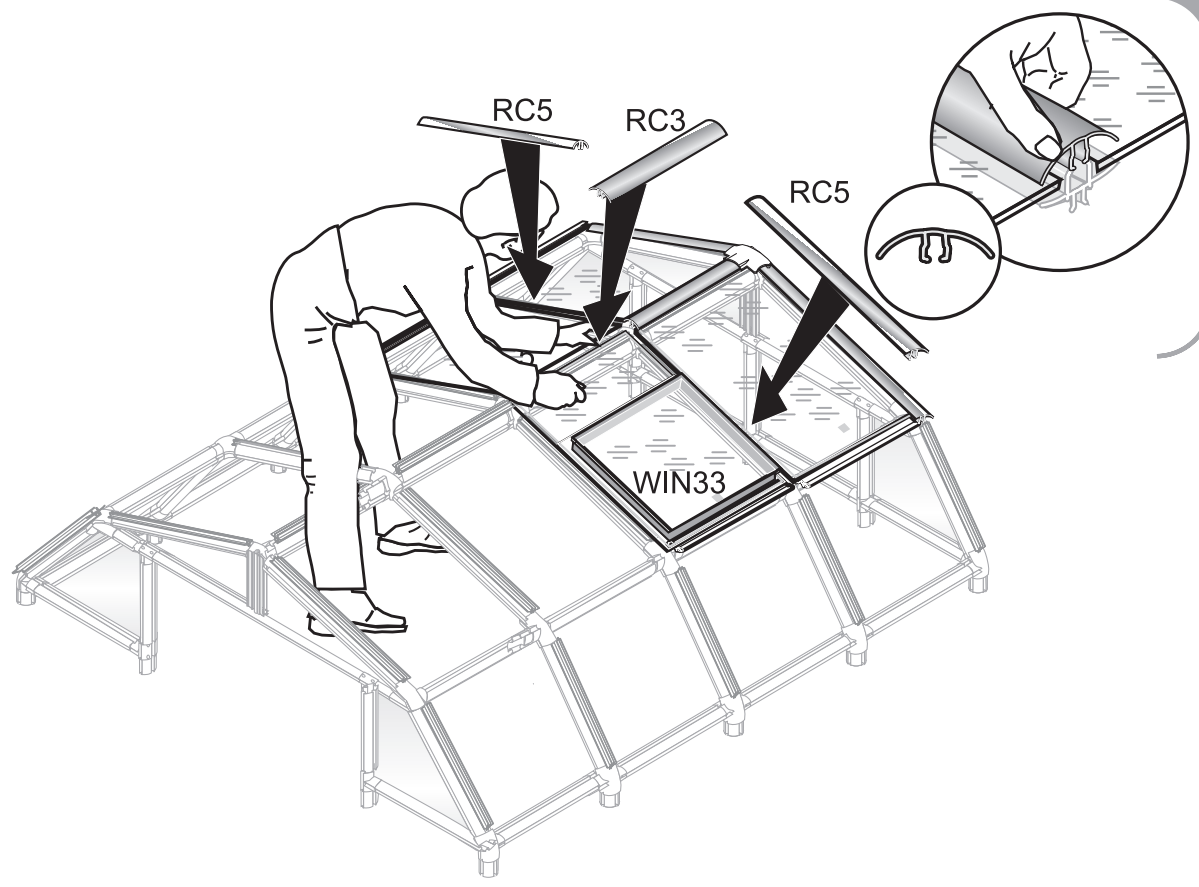
RC5



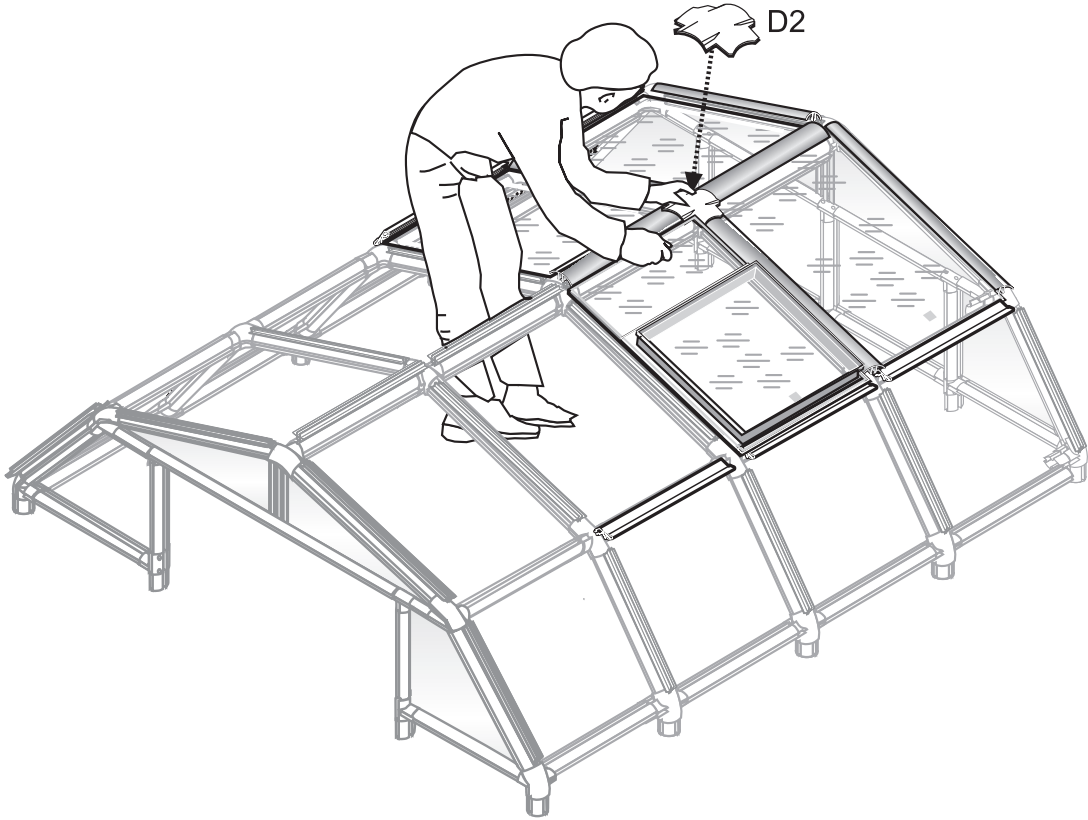
24



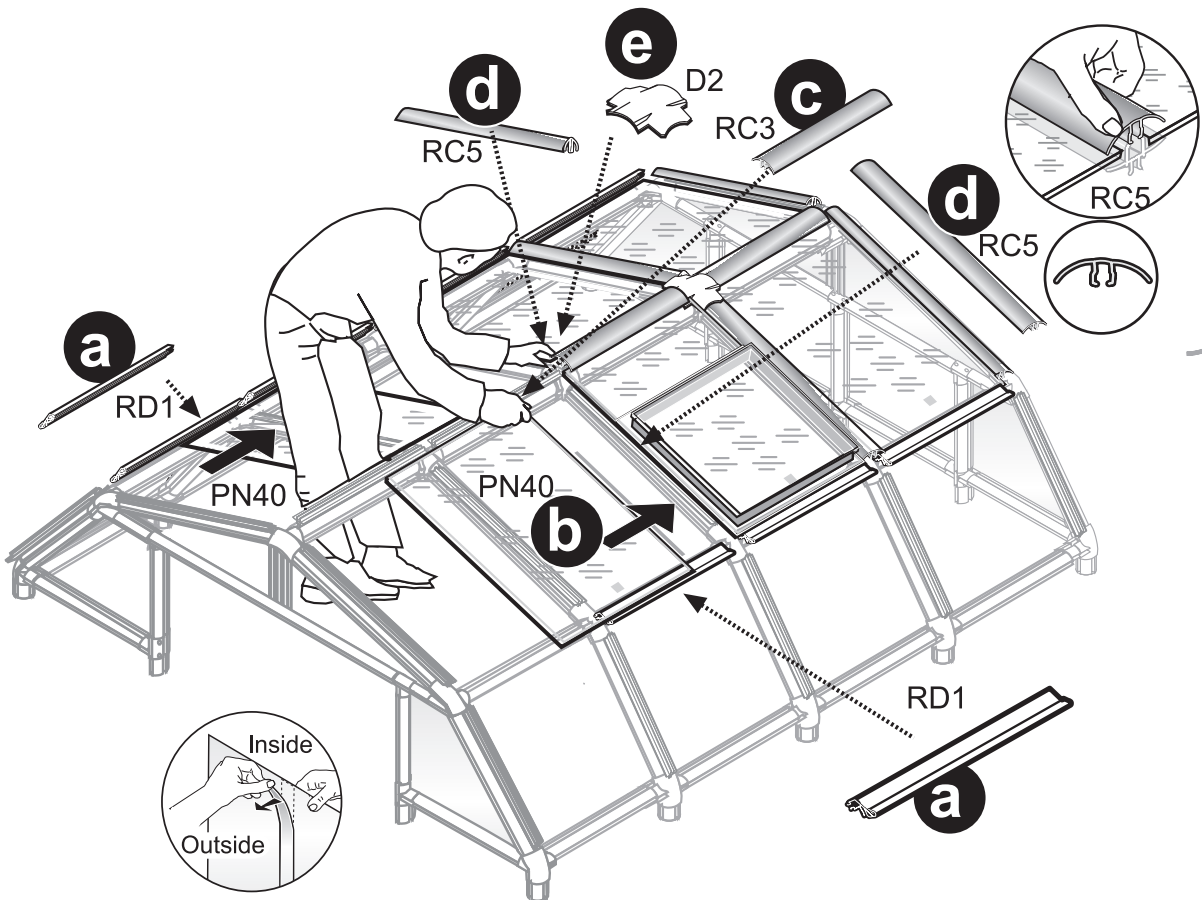
25



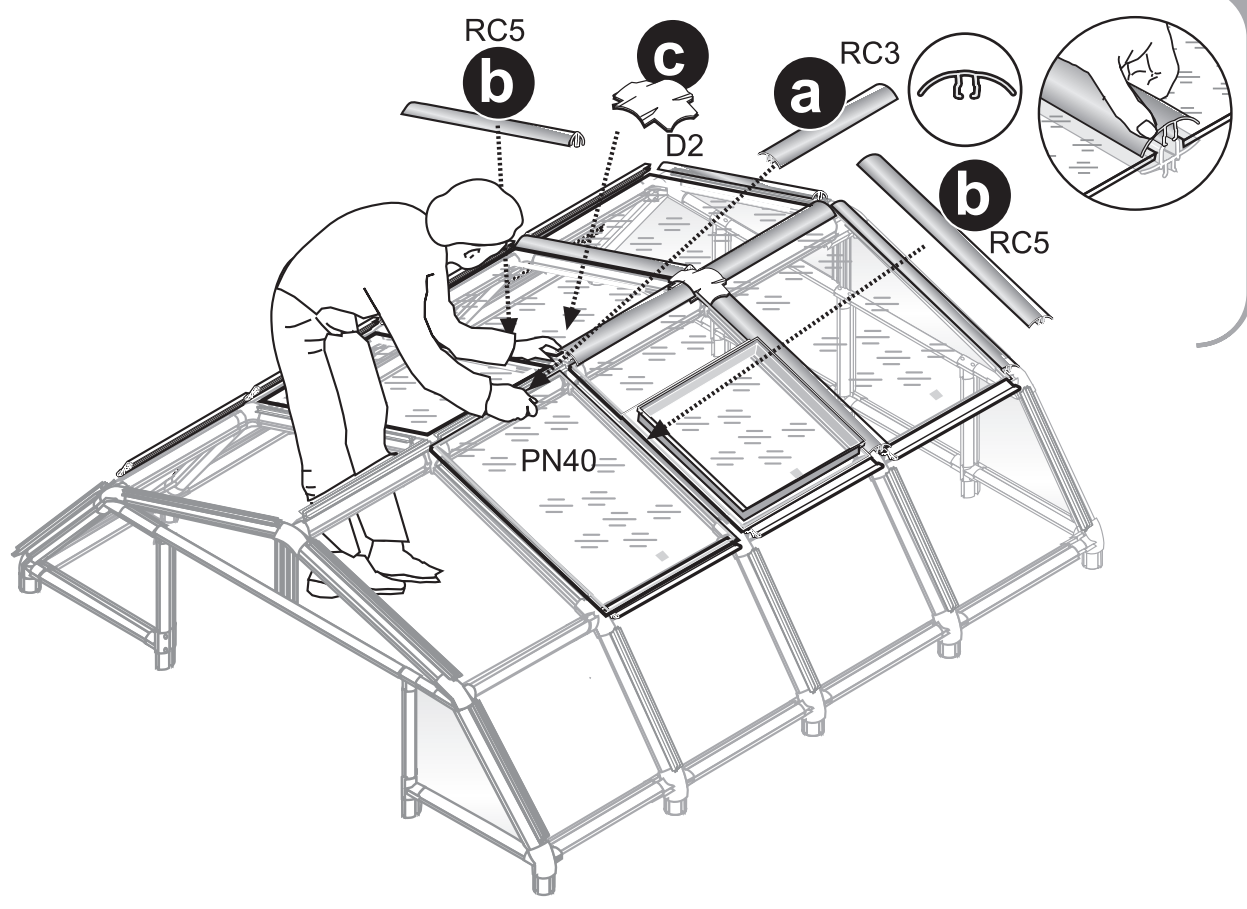
26



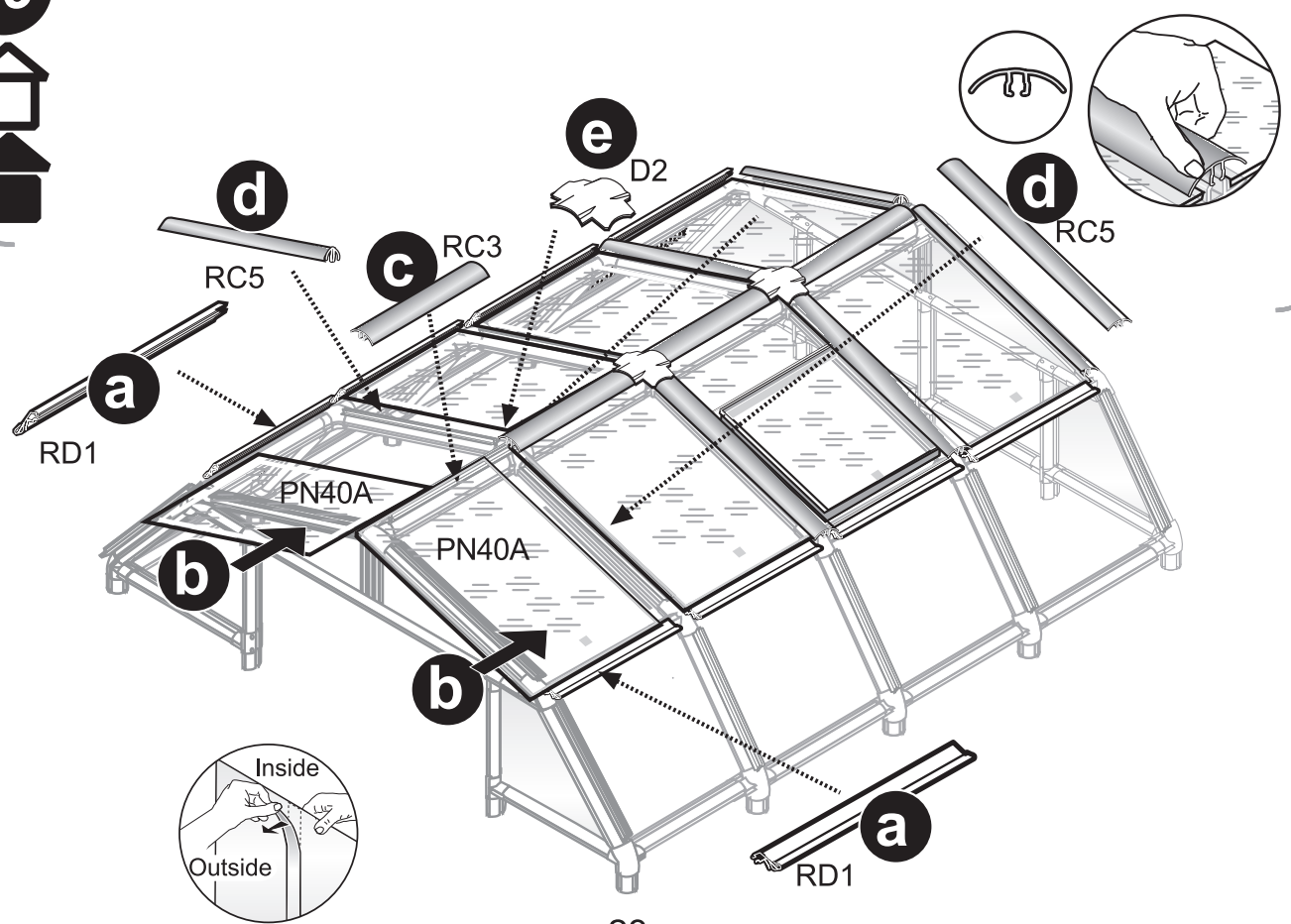
27



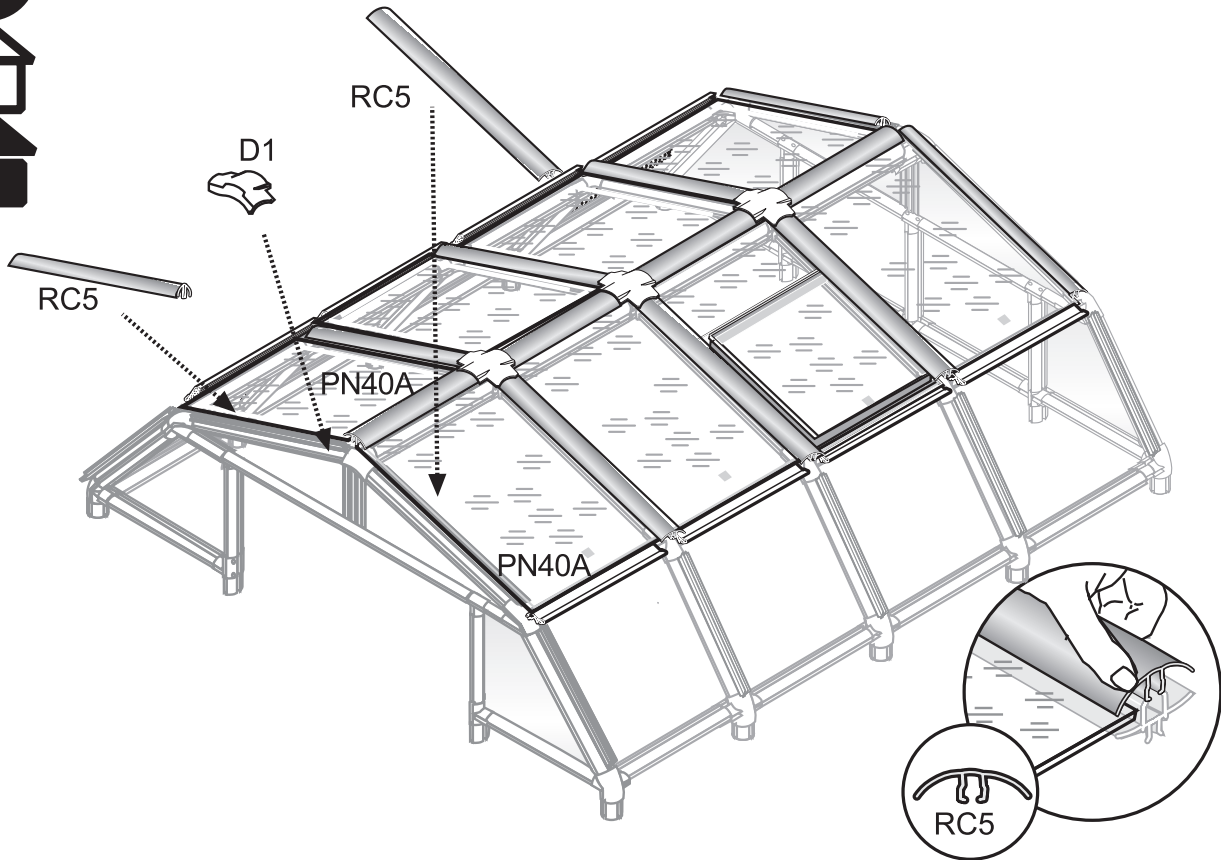
28



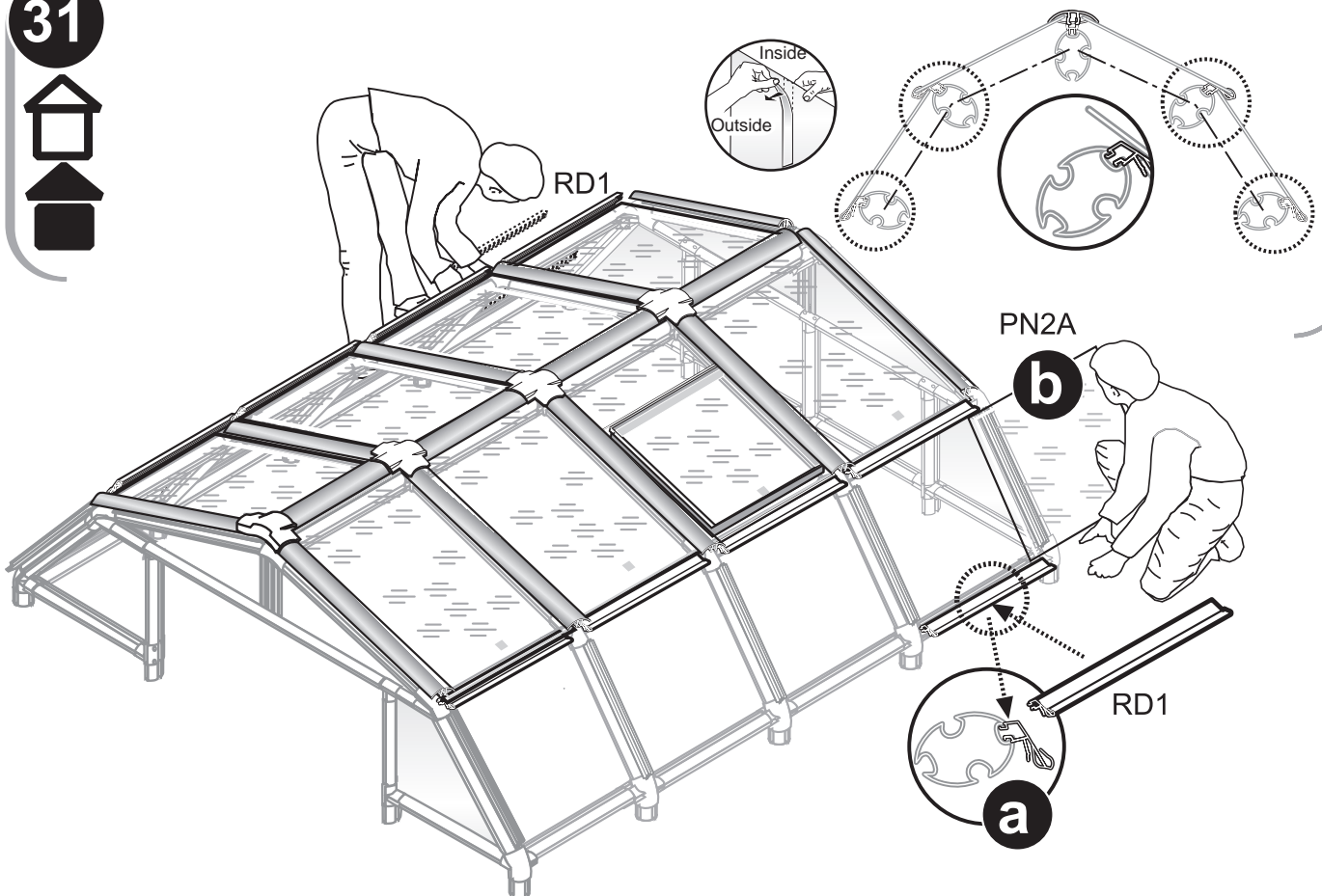
29



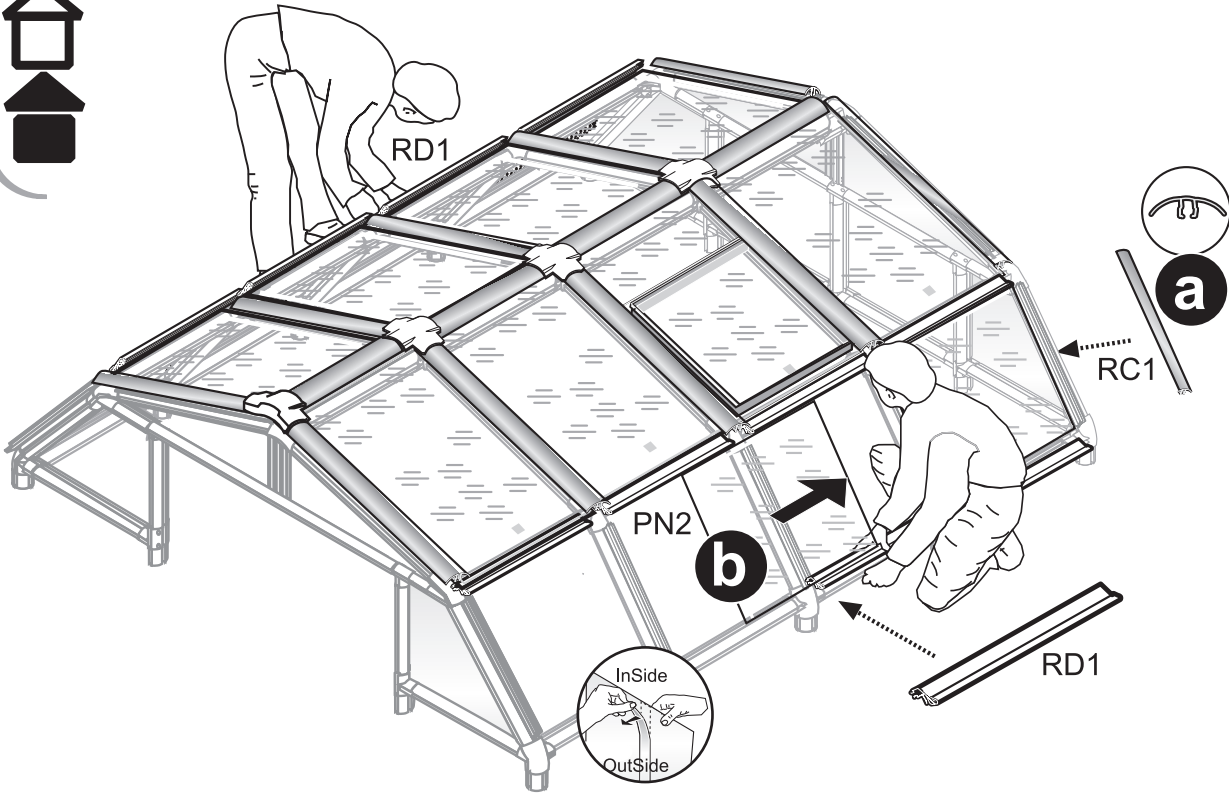
30



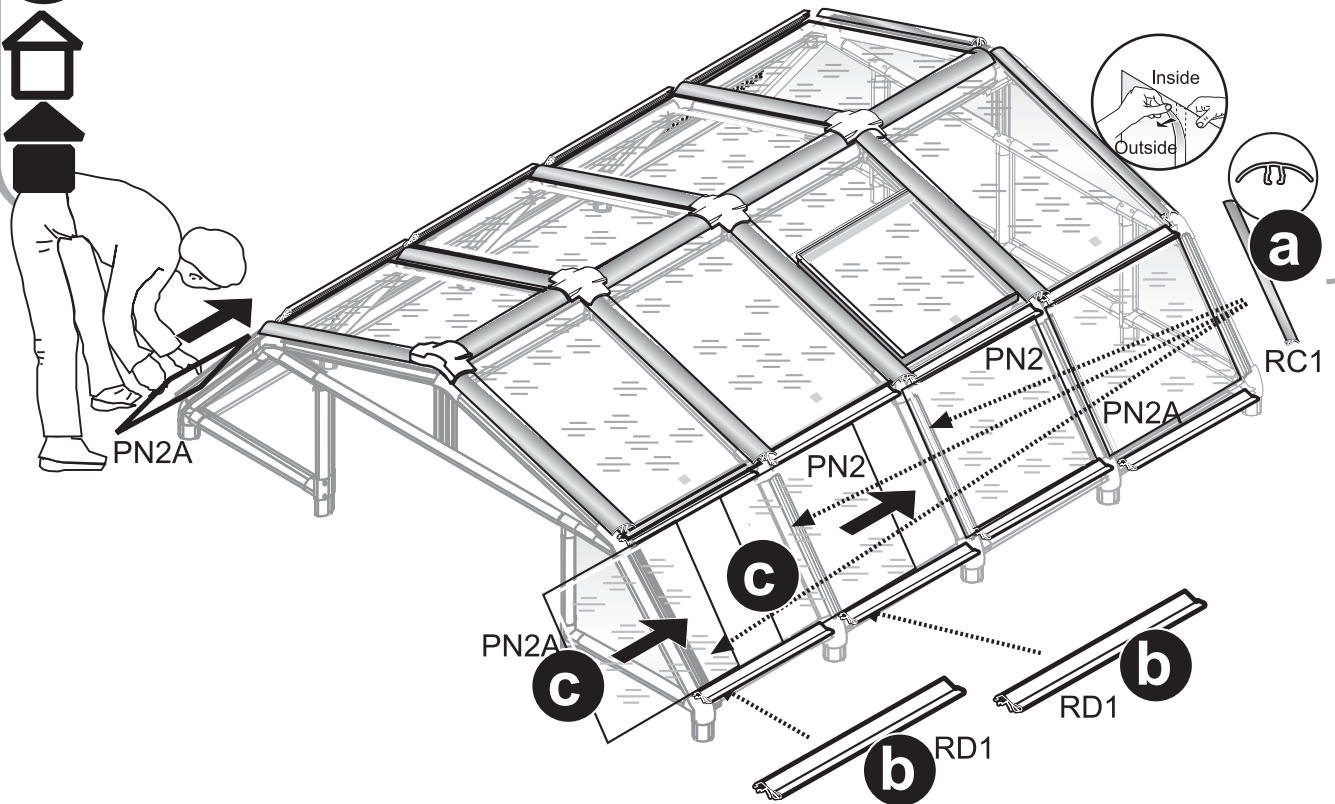
31



32



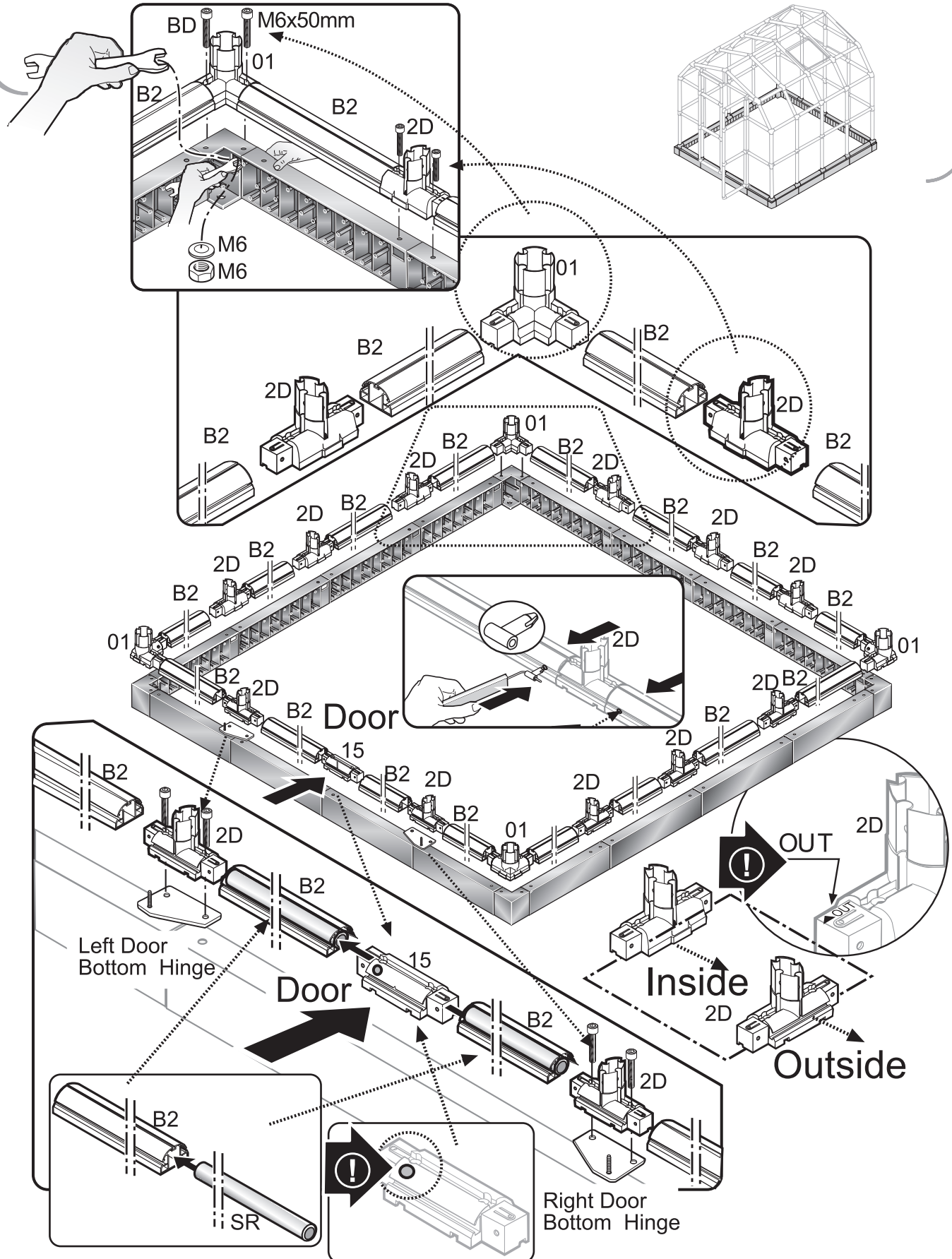
33



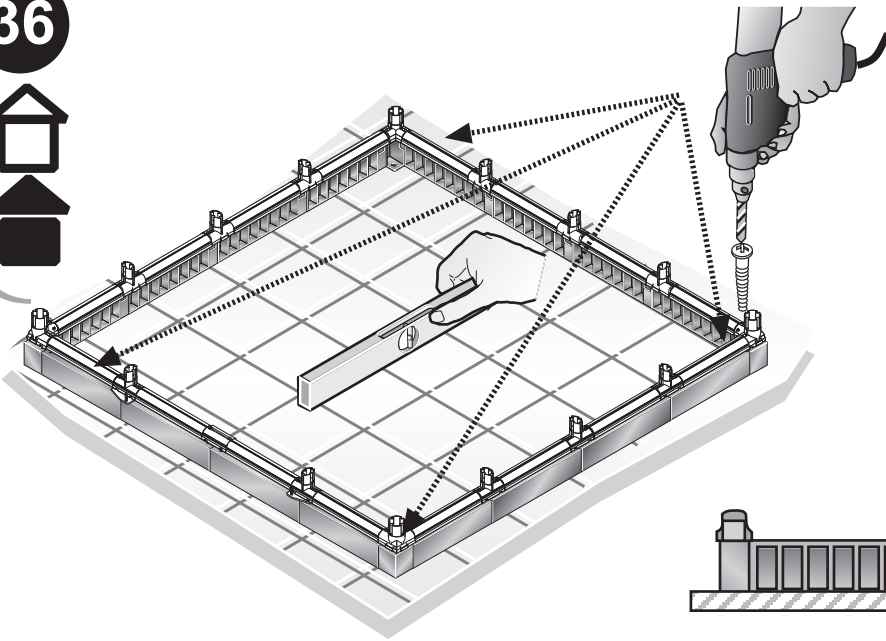
35



Step III Build the walls on the completed base



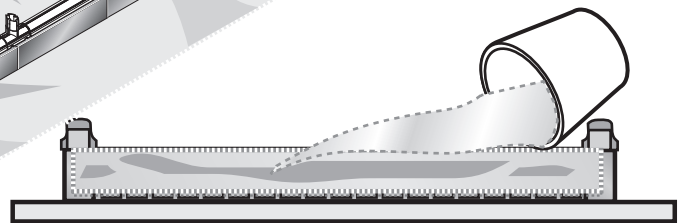
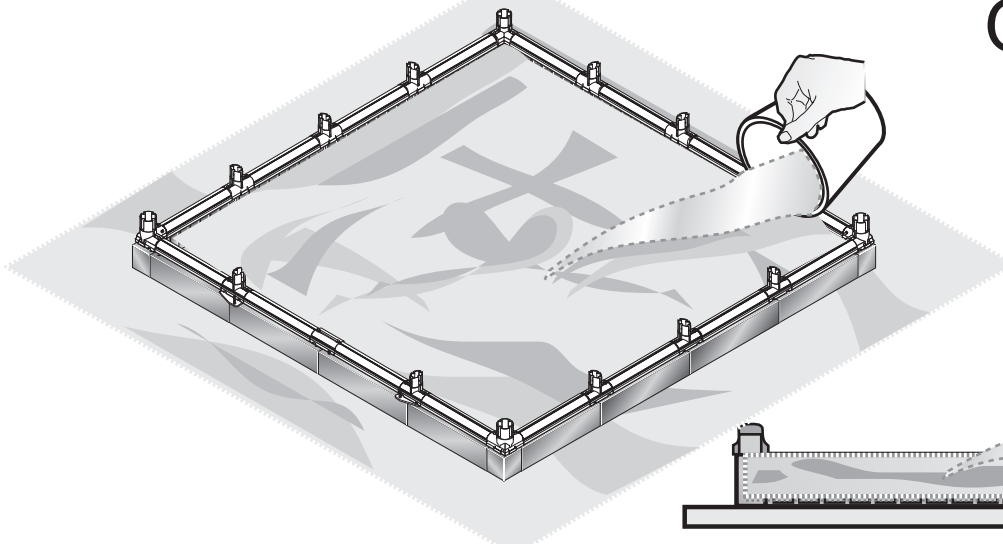
36



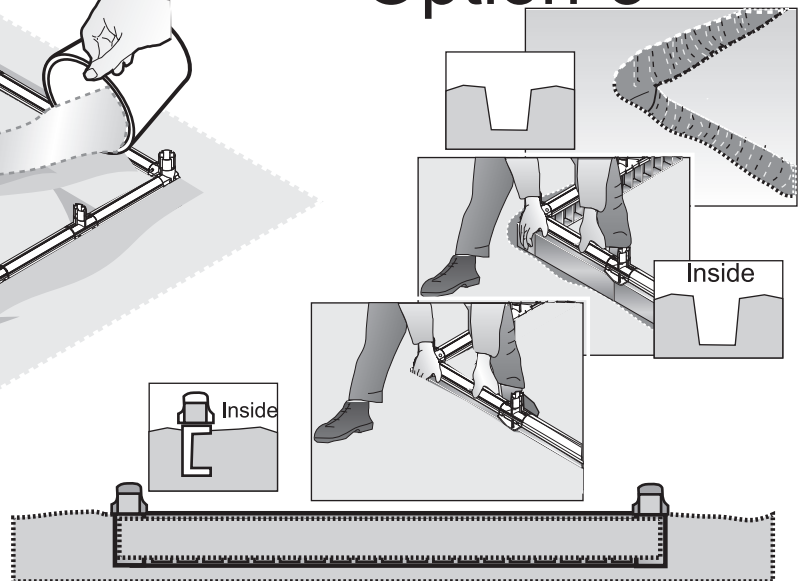
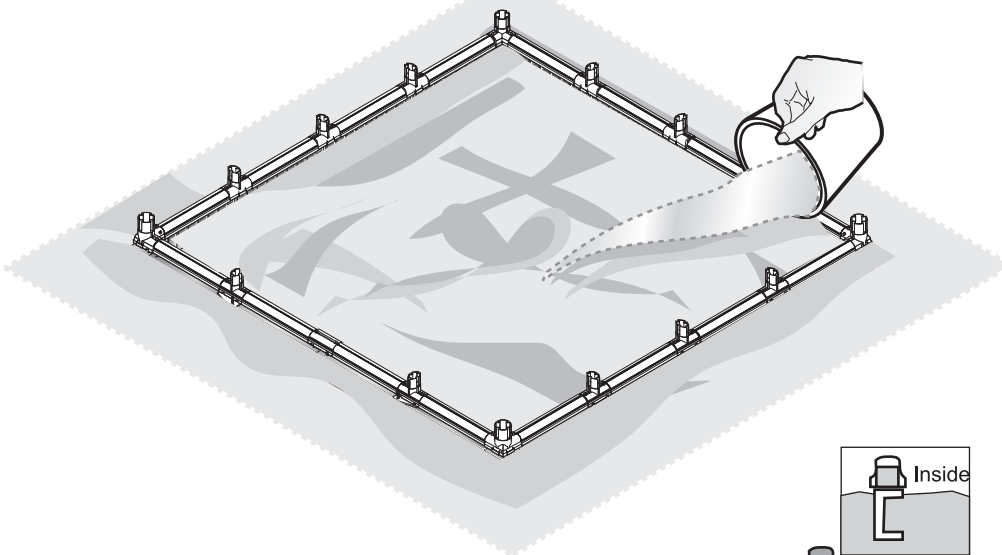
Option-1



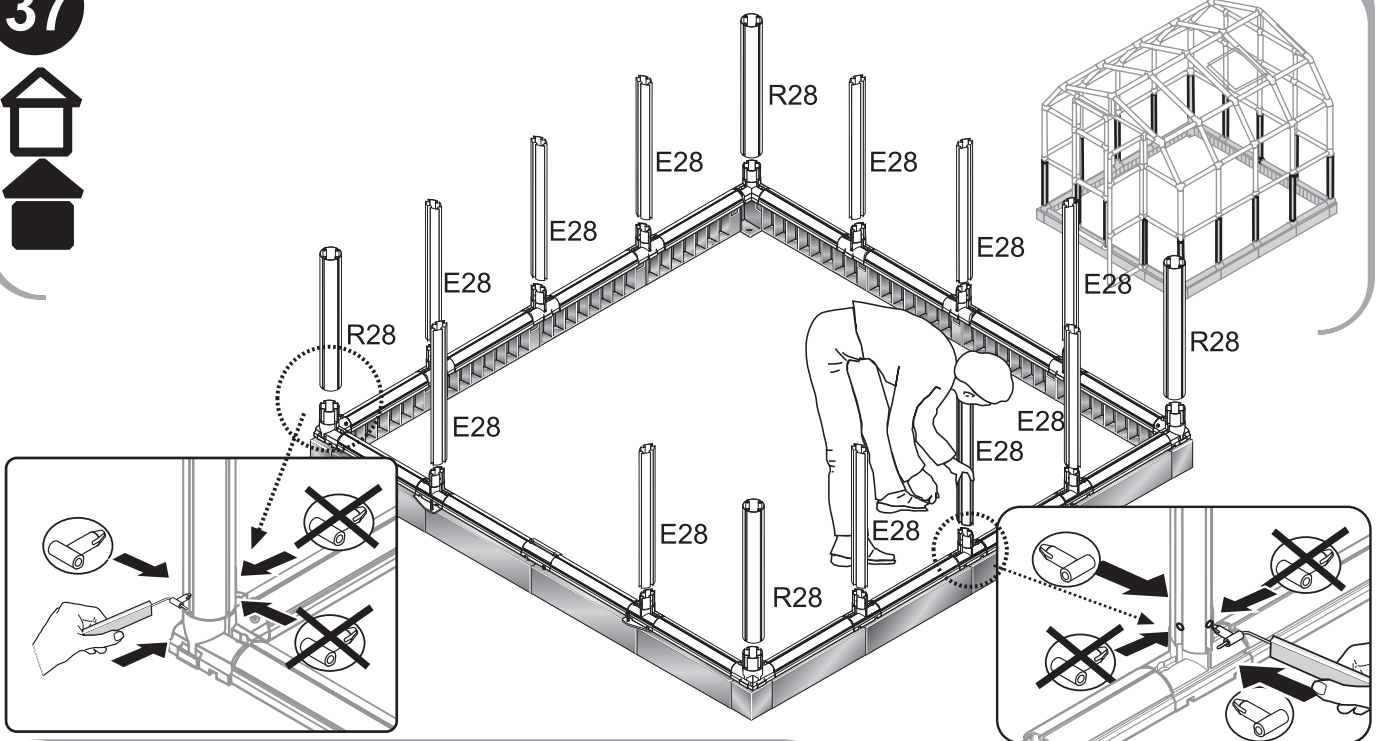
Option-2



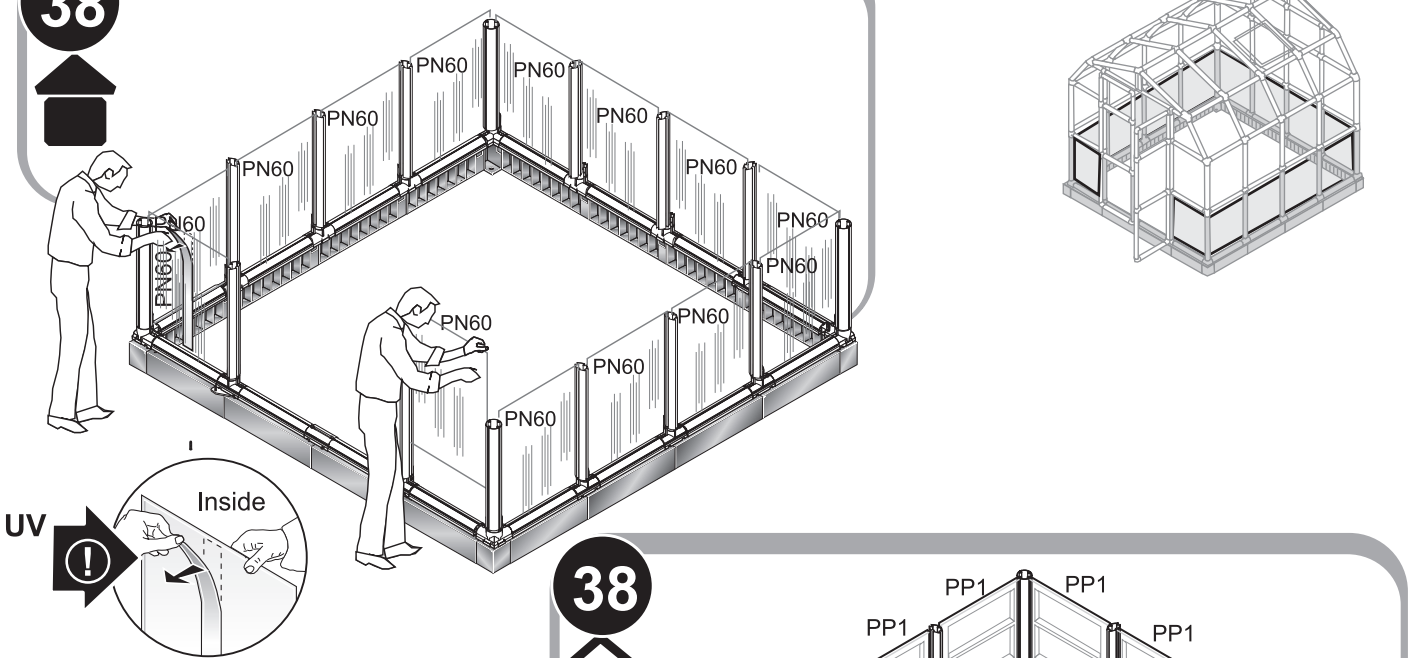
Option-3



37



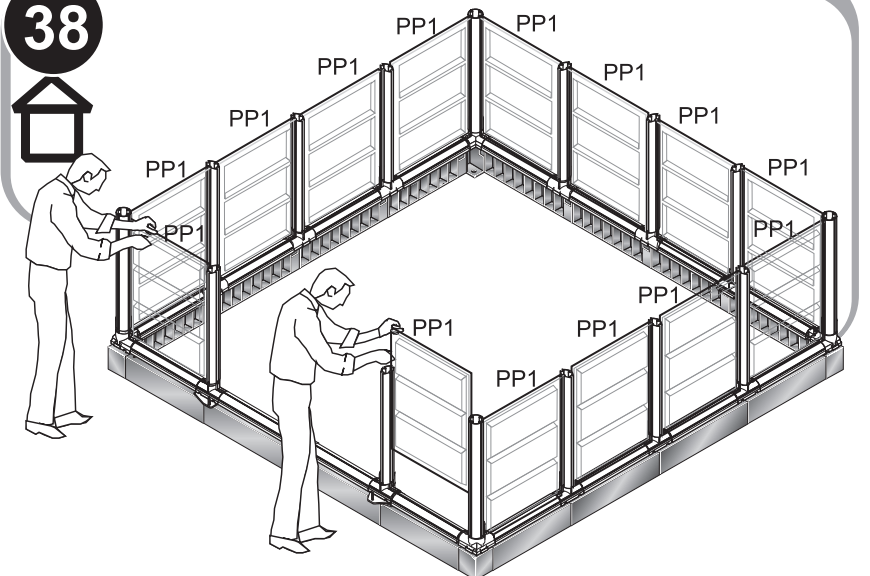
38



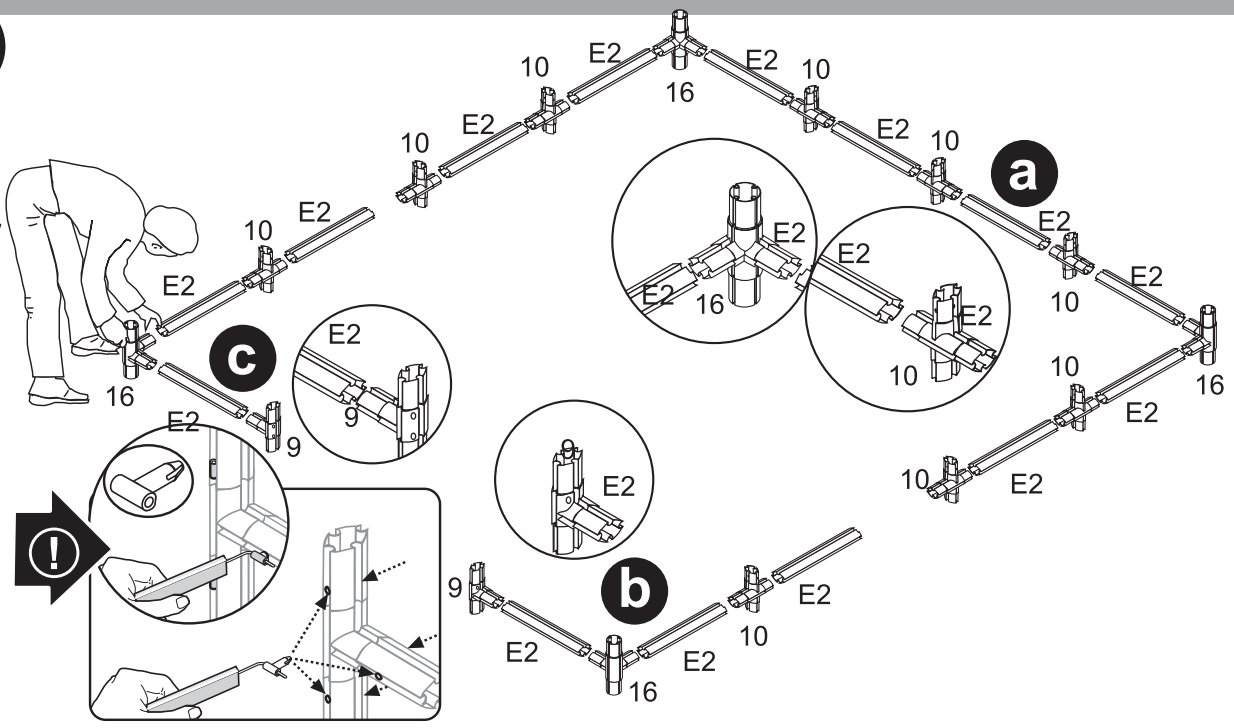
UV



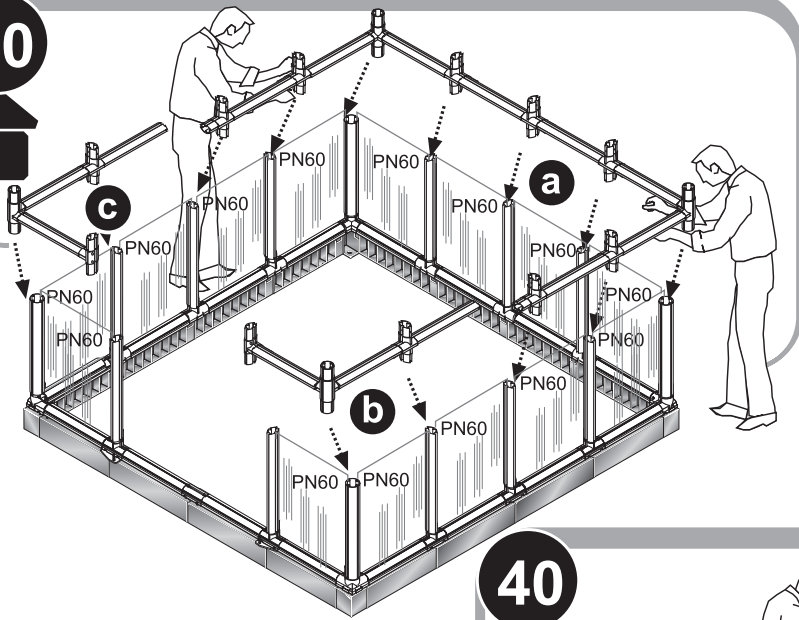
38



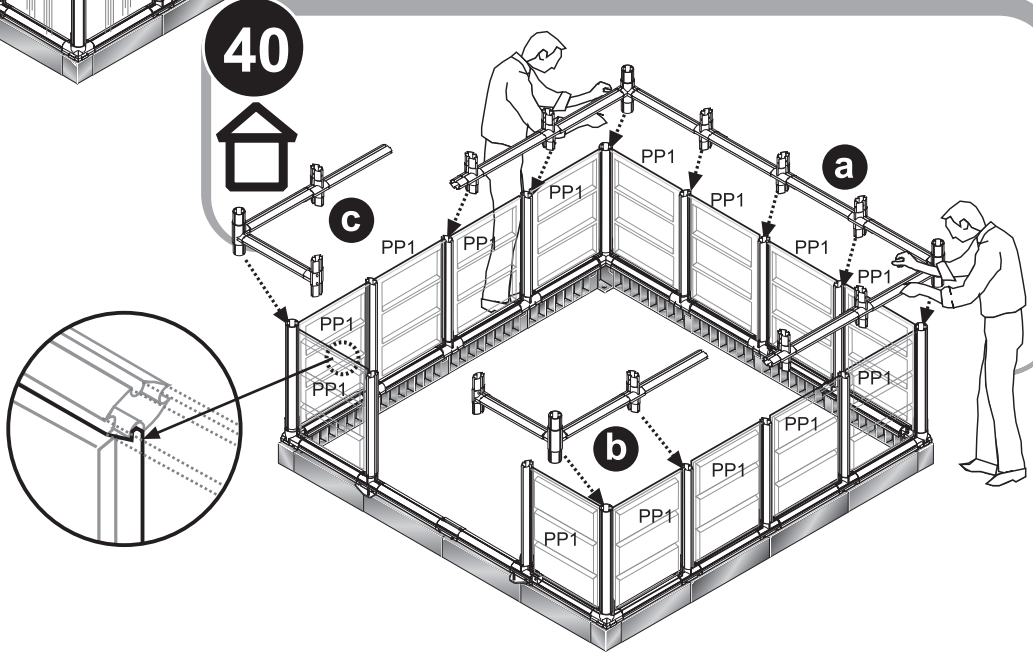
39



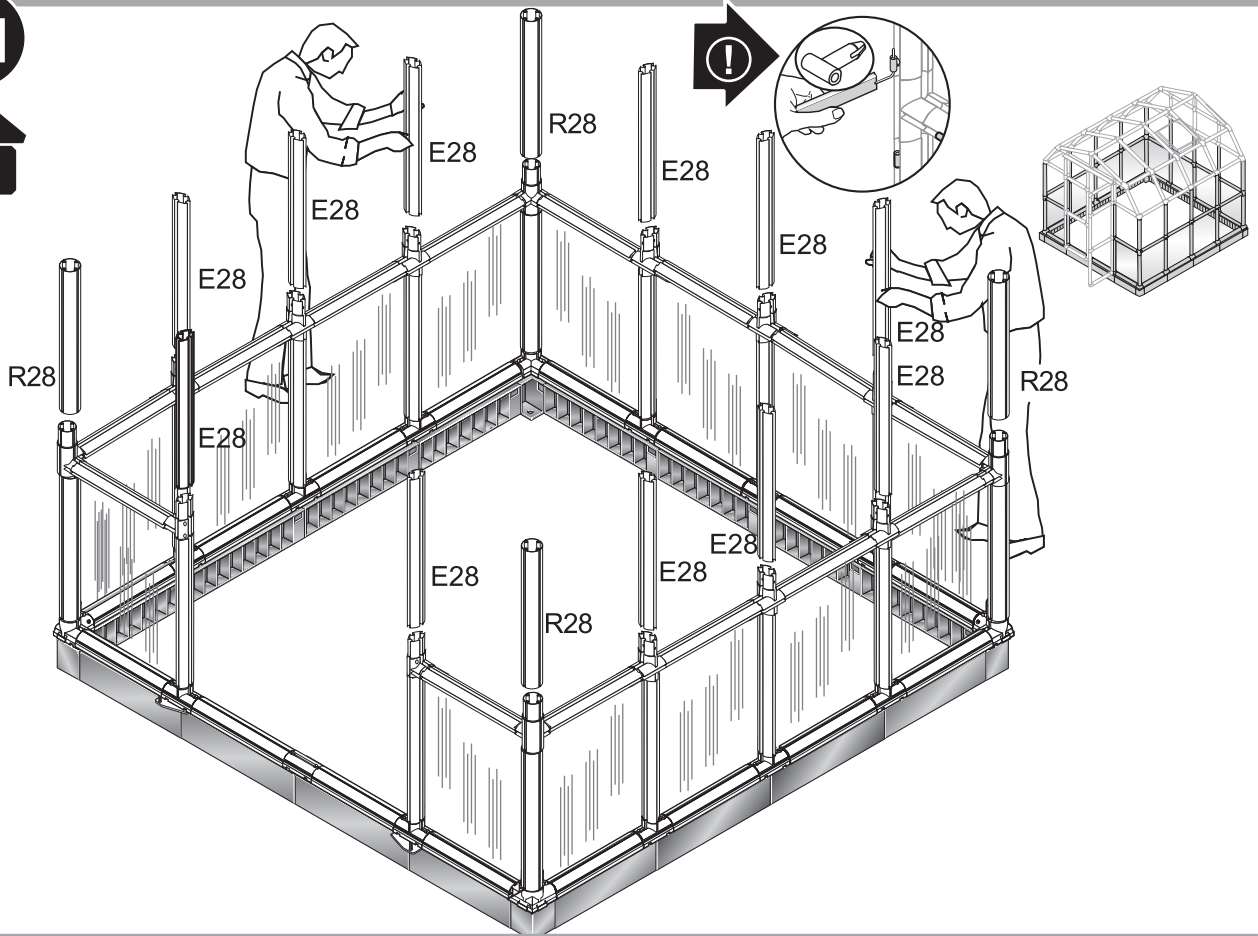
40



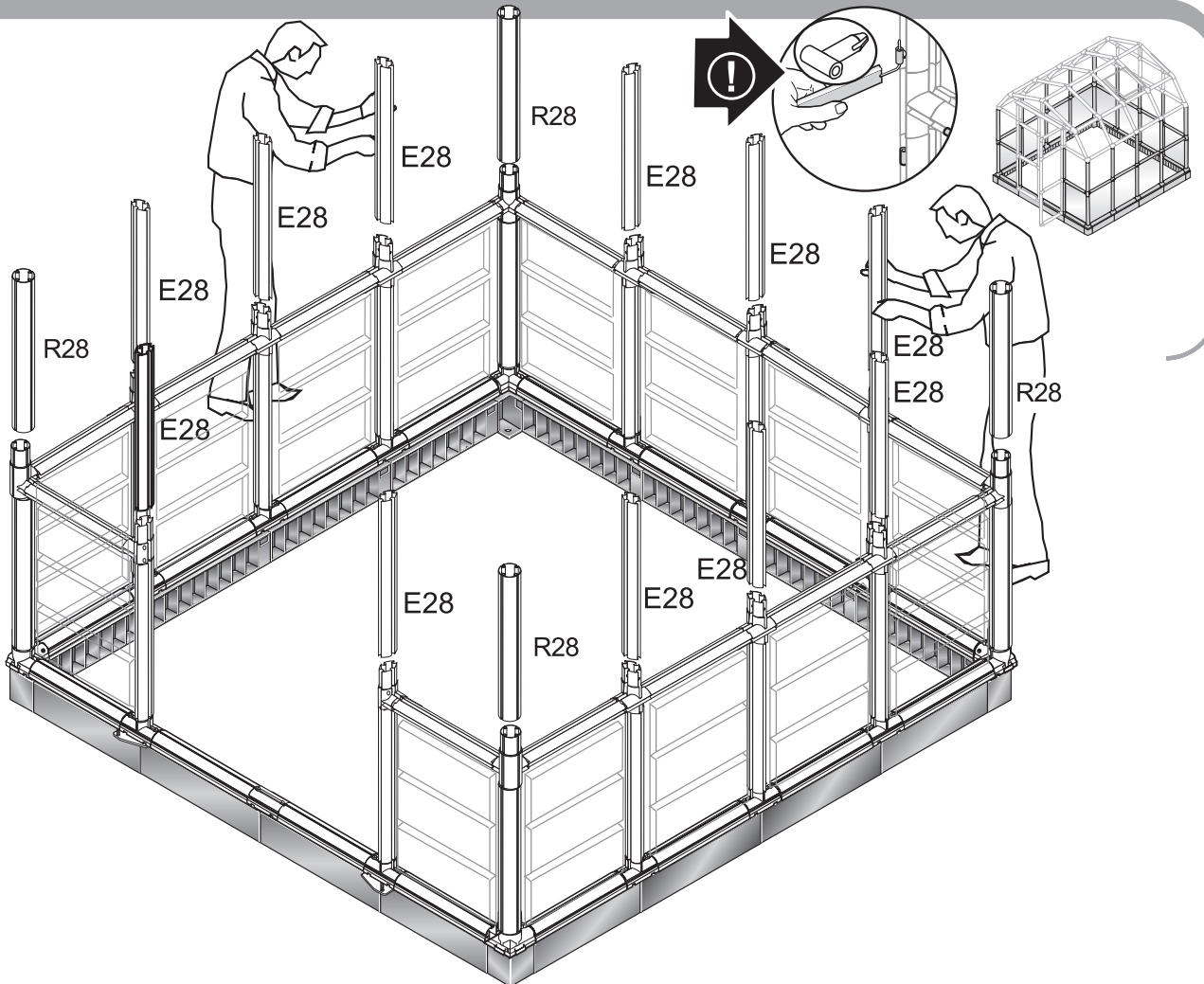
40



41



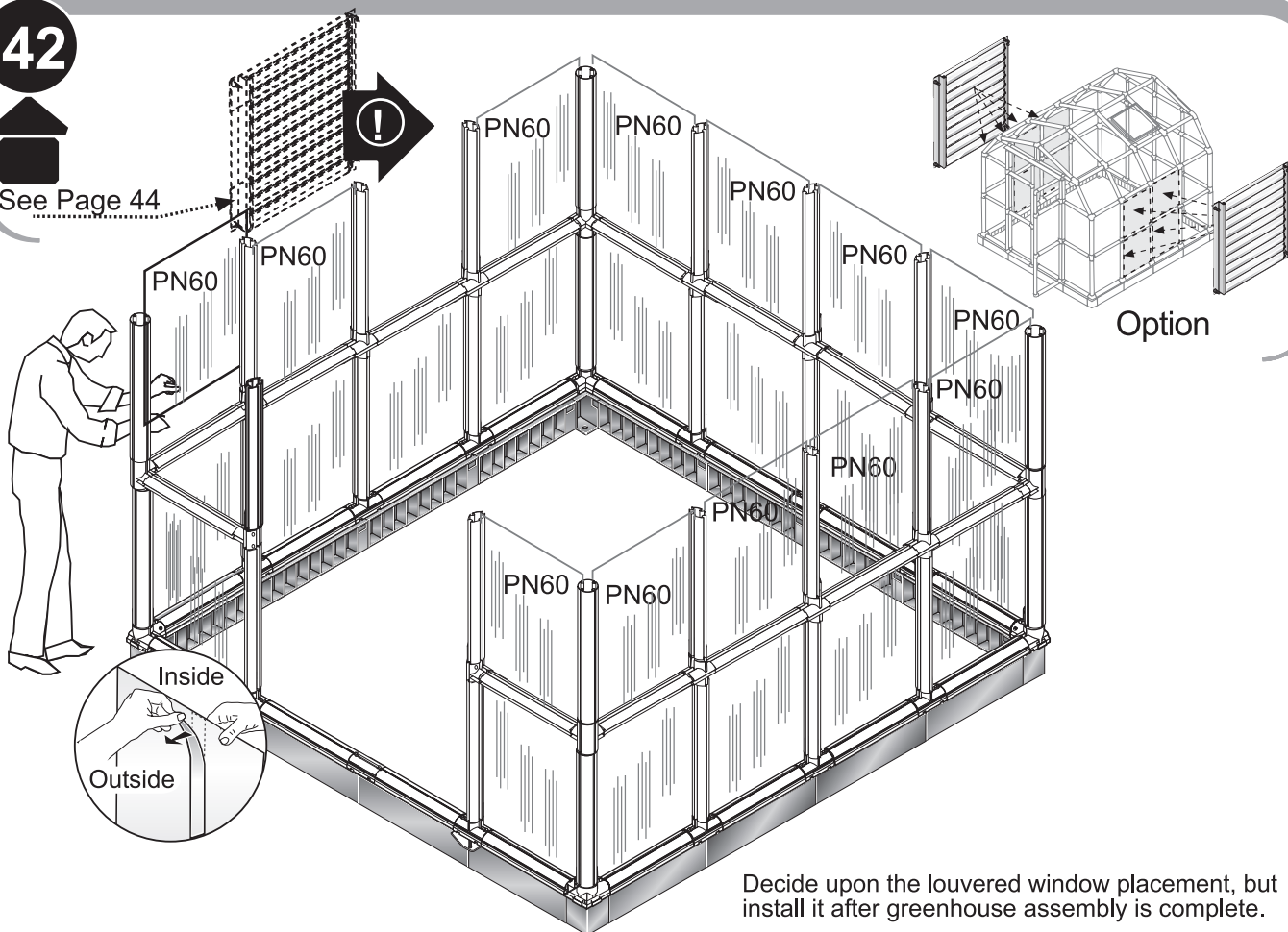
41



42



See Page 44

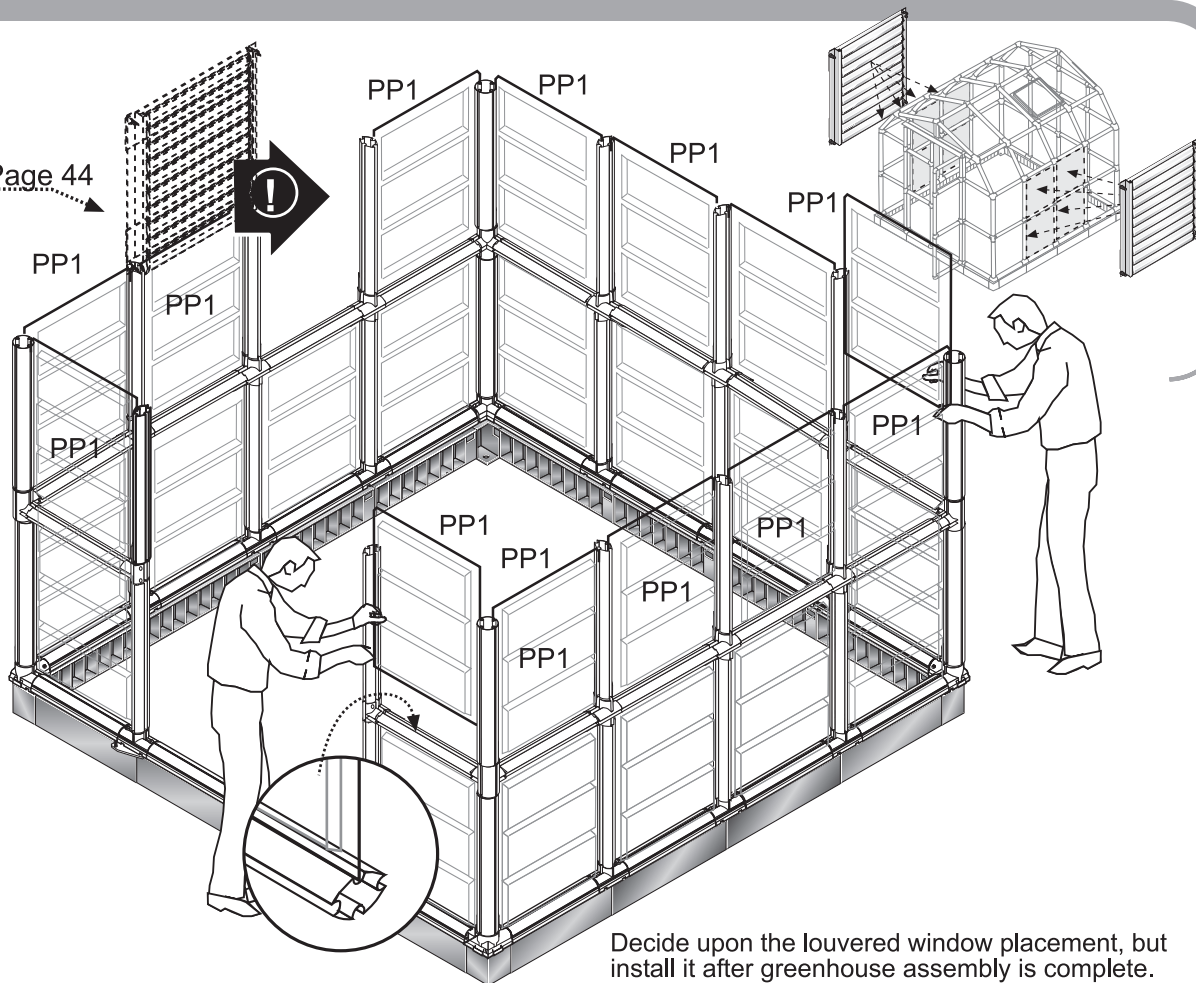


Decide upon the louvered window placement, but install it after greenhouse assembly is complete.

42



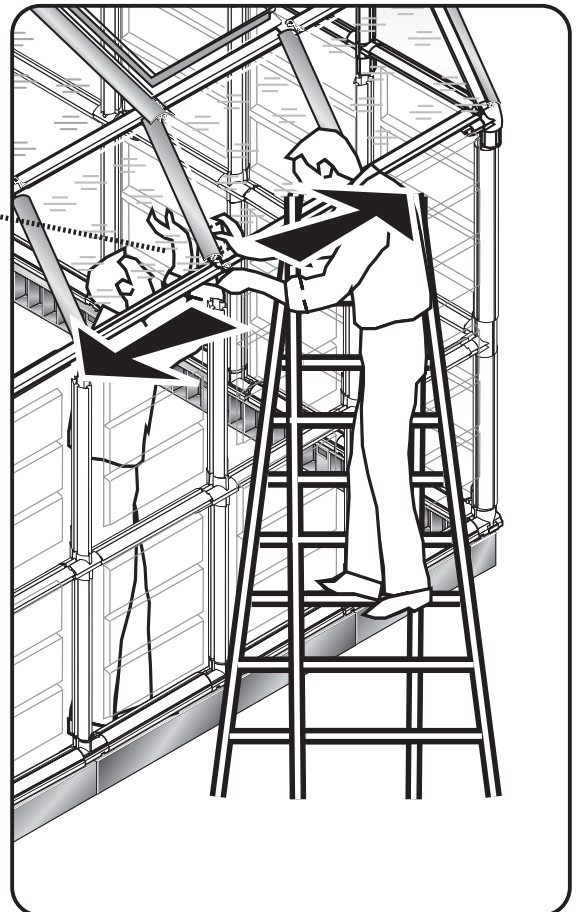
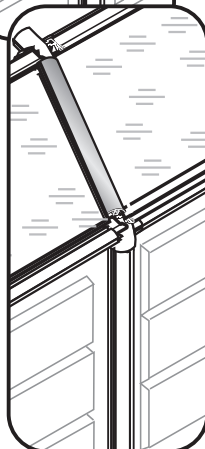
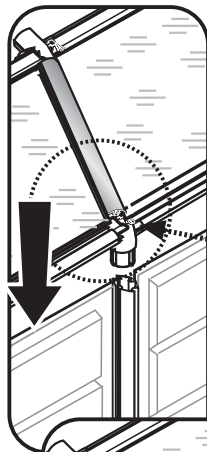
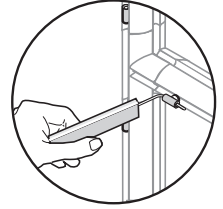
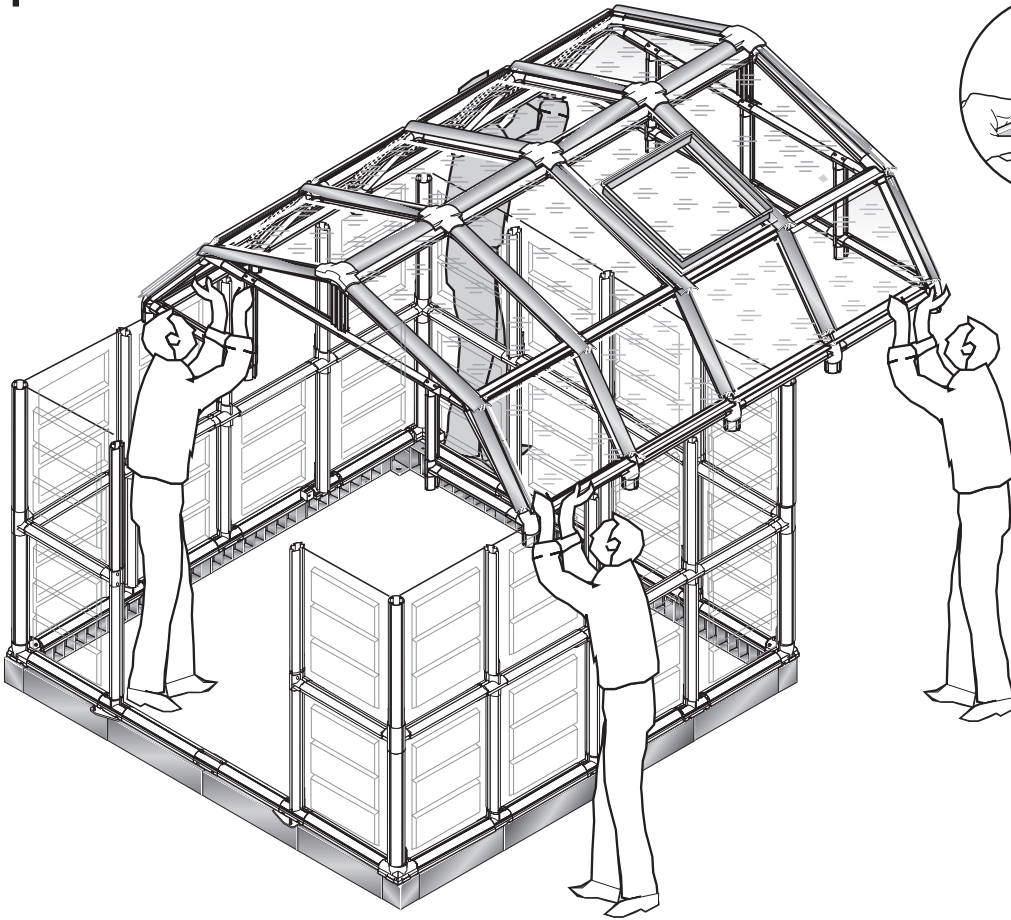
See Page 44



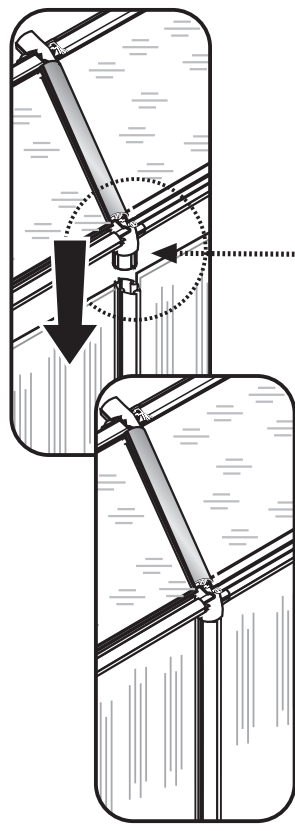
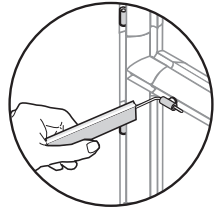
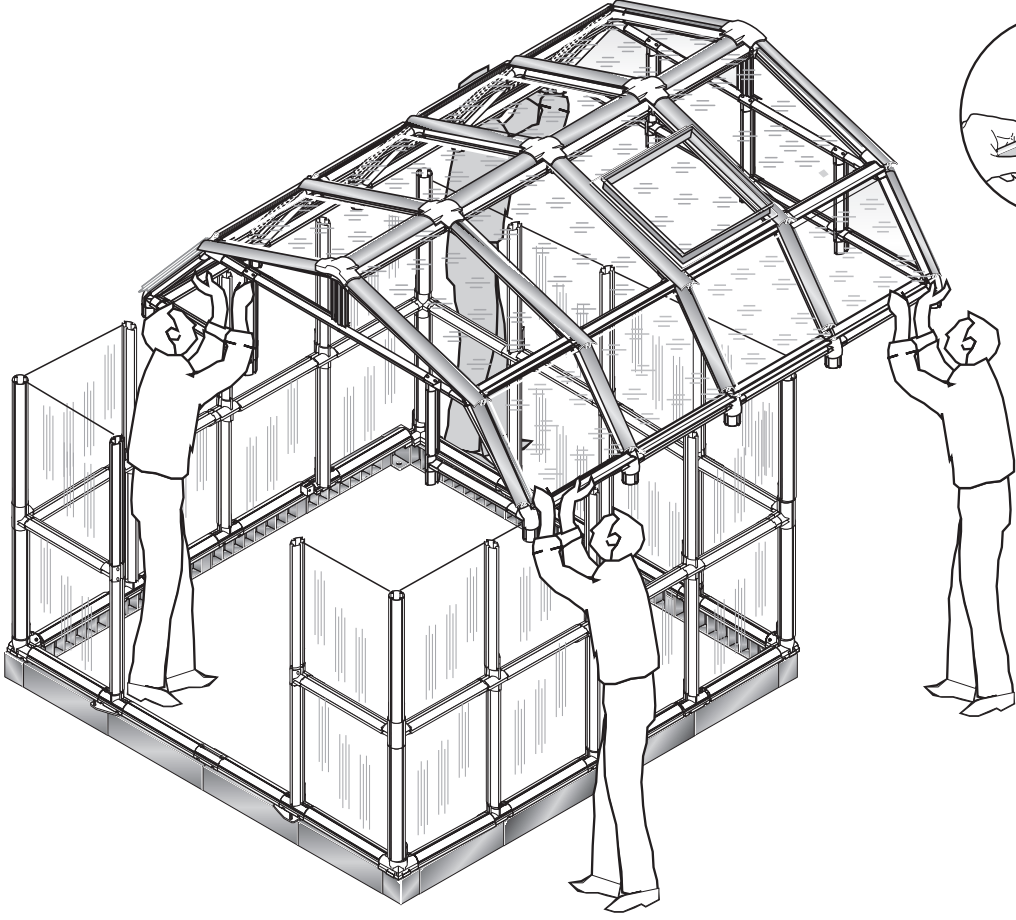
Decide upon the louvered window placement, but install it after greenhouse assembly is complete.

43

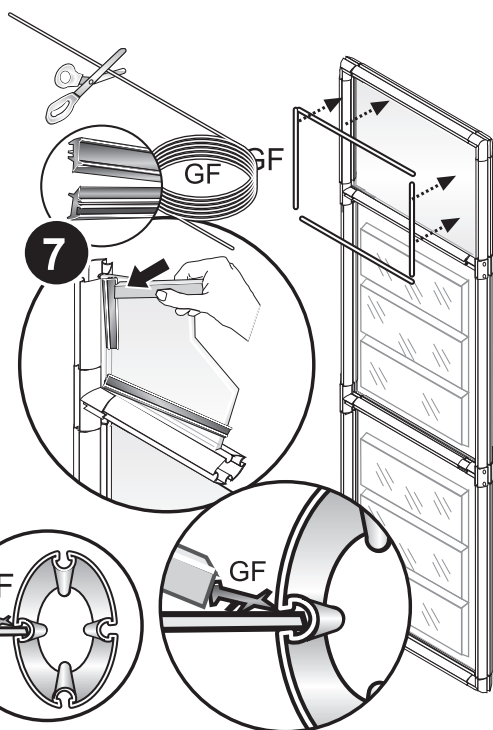
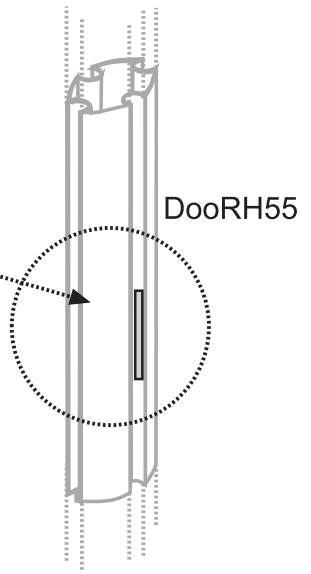
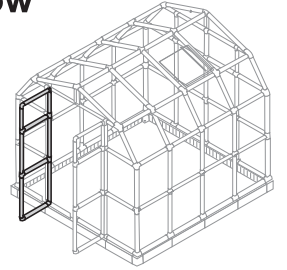
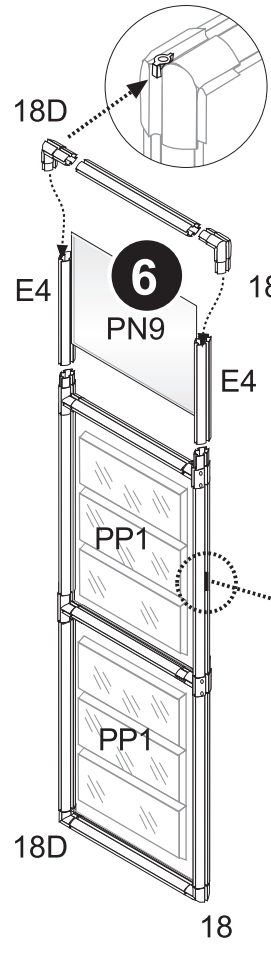
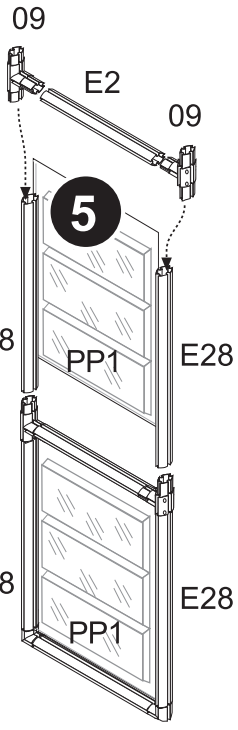
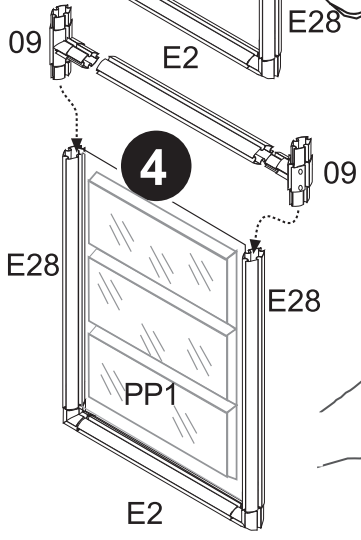
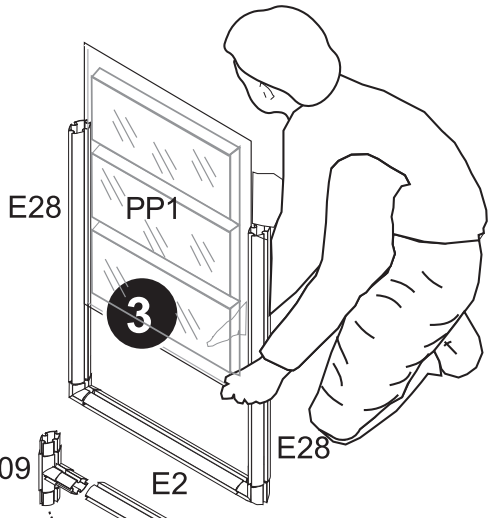
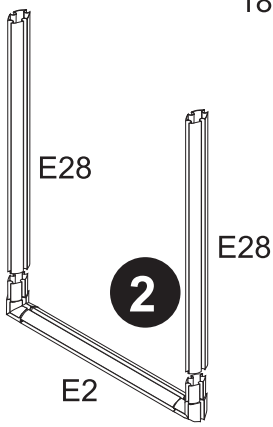
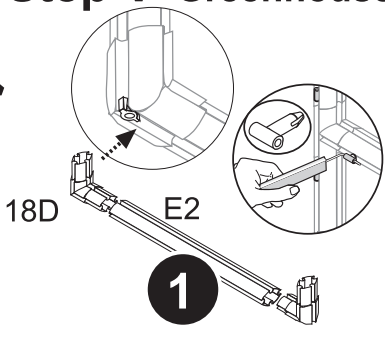
Step IV: Attach the assembled roof on the walls



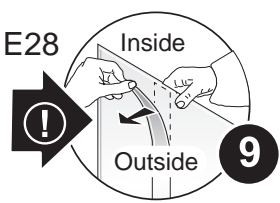
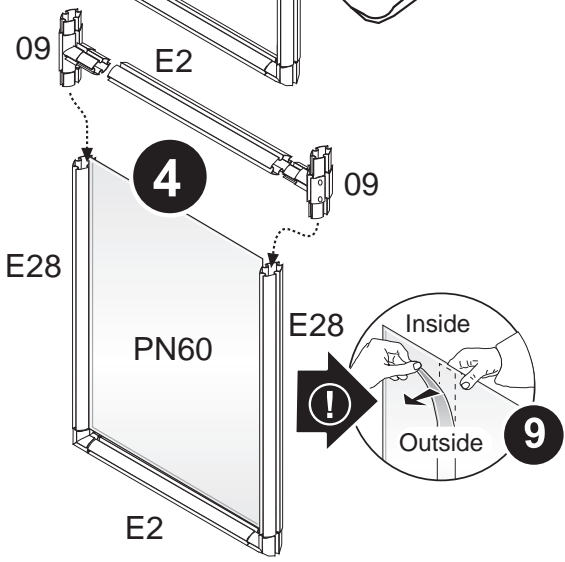
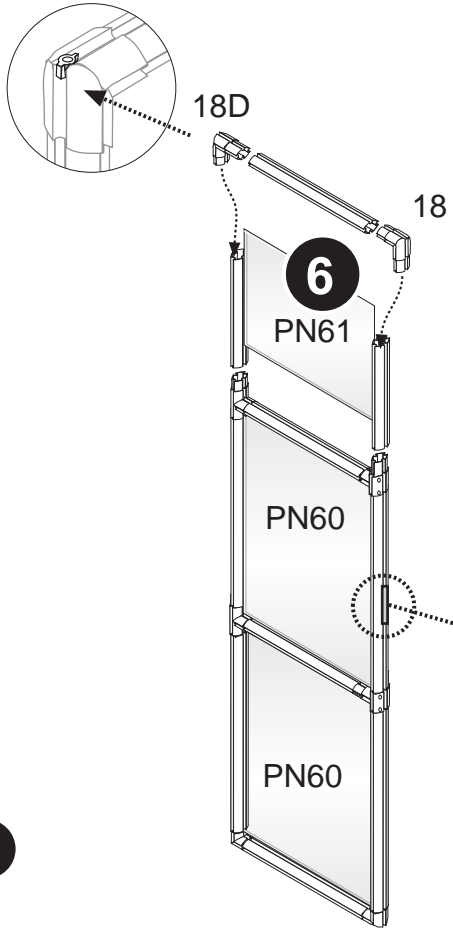
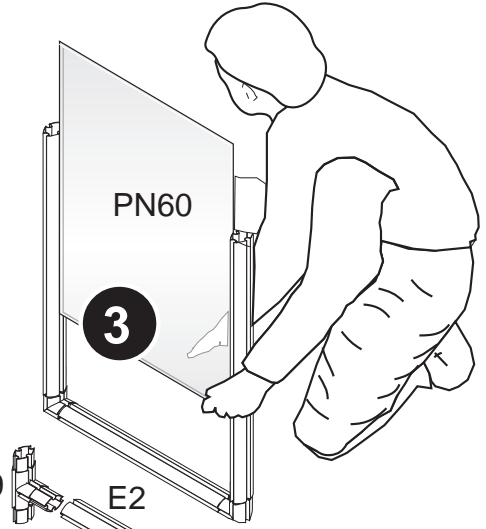
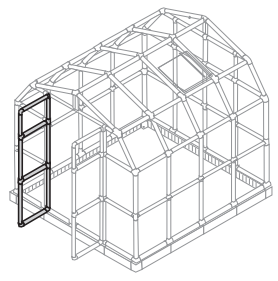
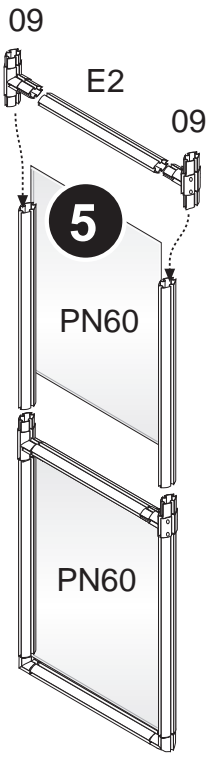
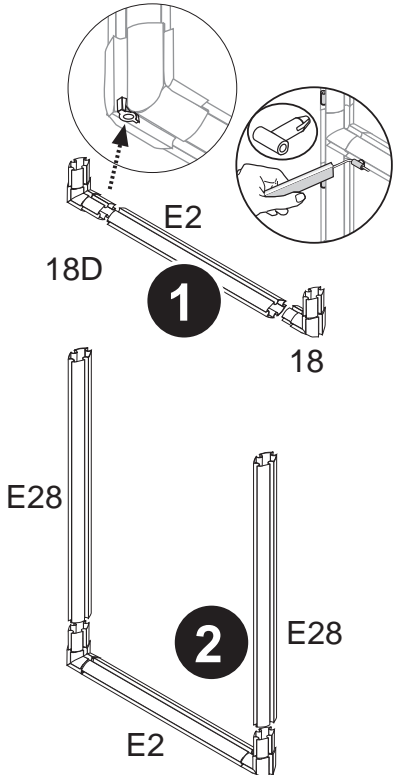
43



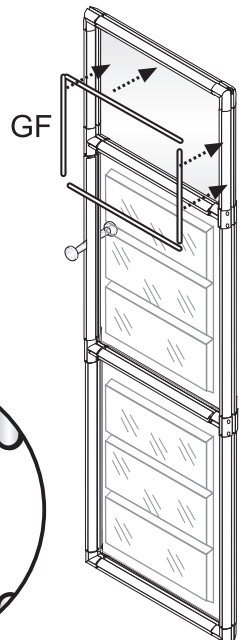
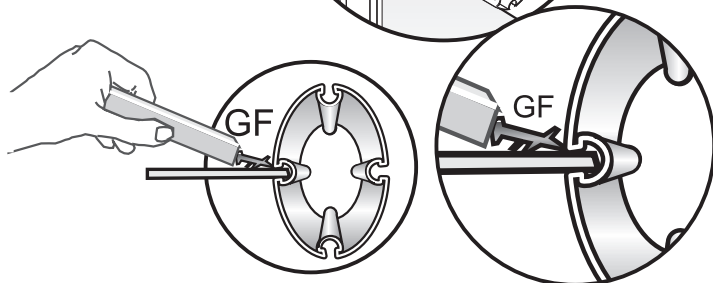
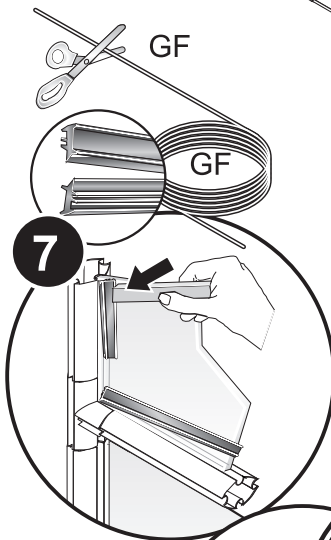
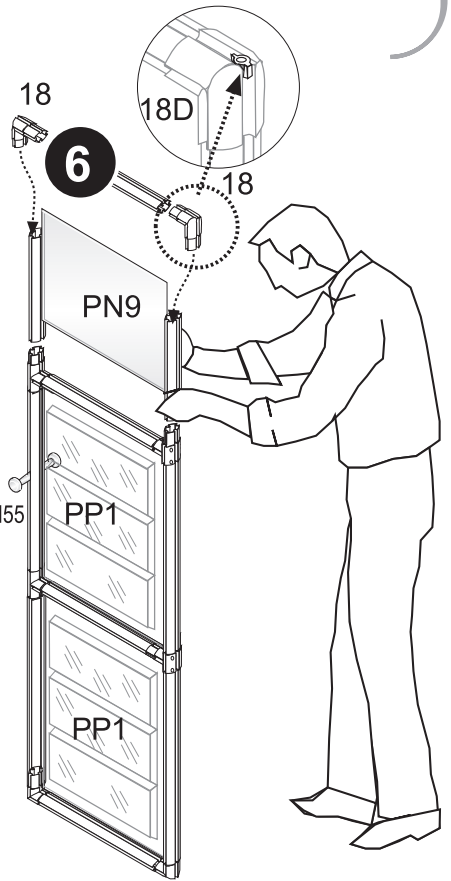
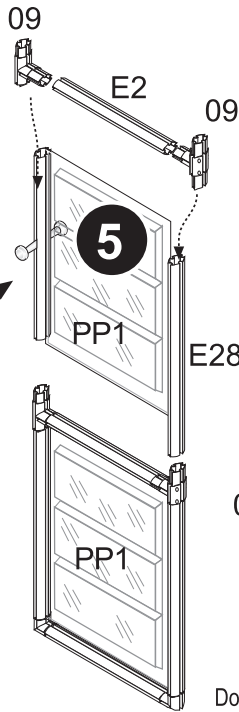
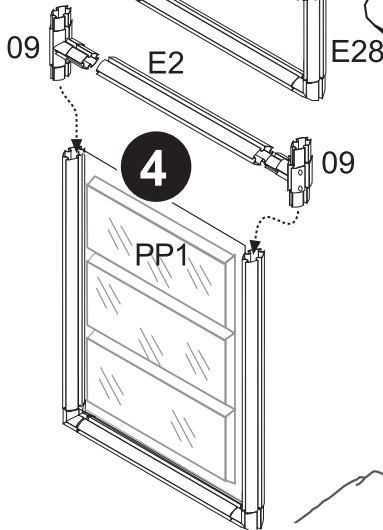
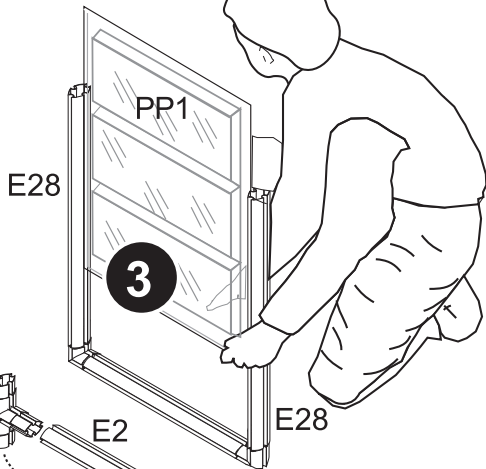
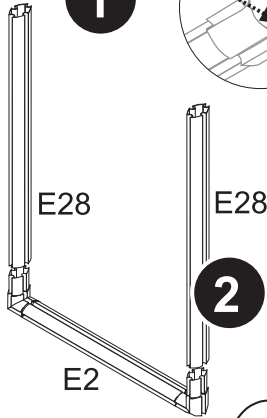
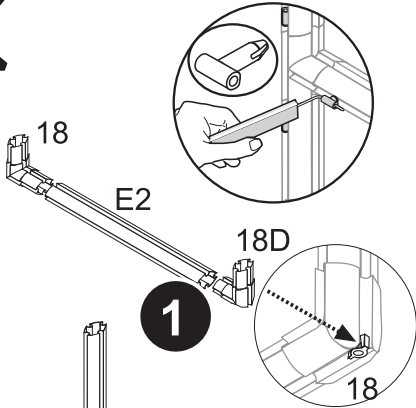
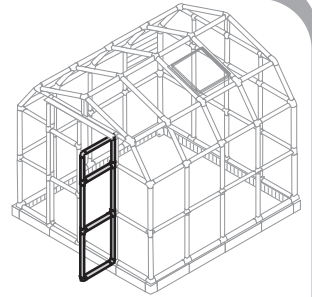
44 Step V Greenhouse Interior: door and louvered window



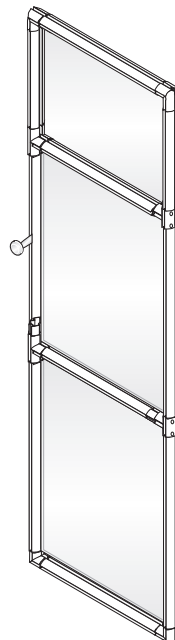
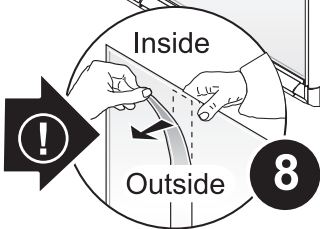
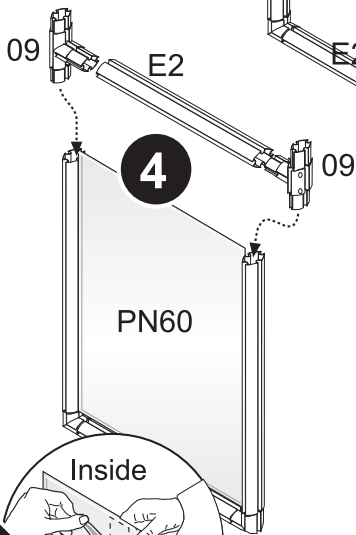
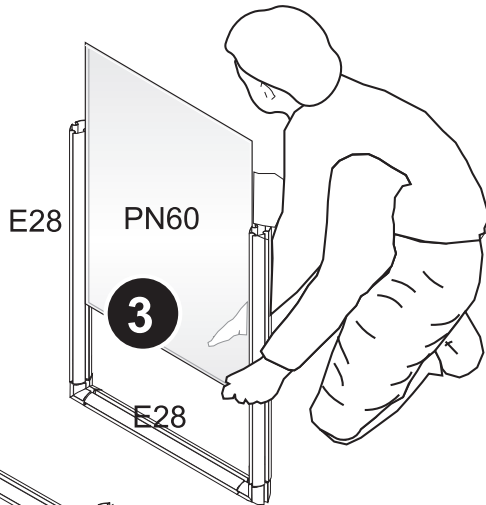
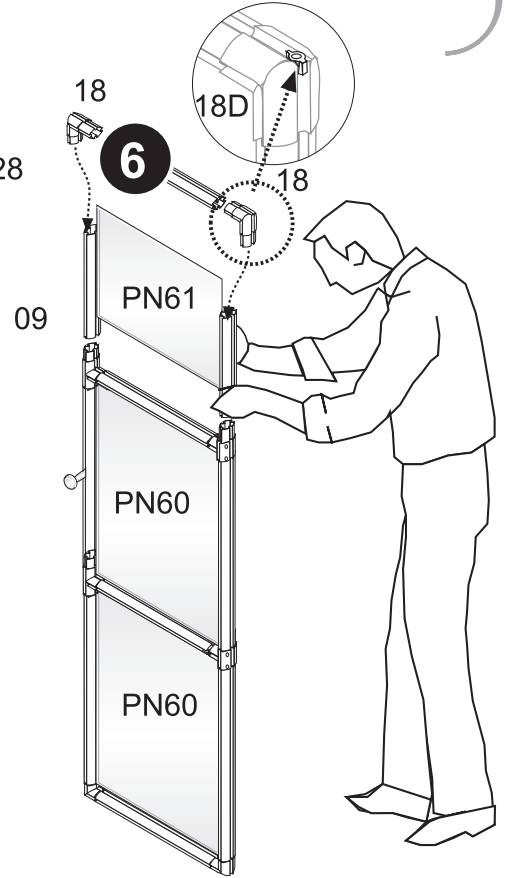
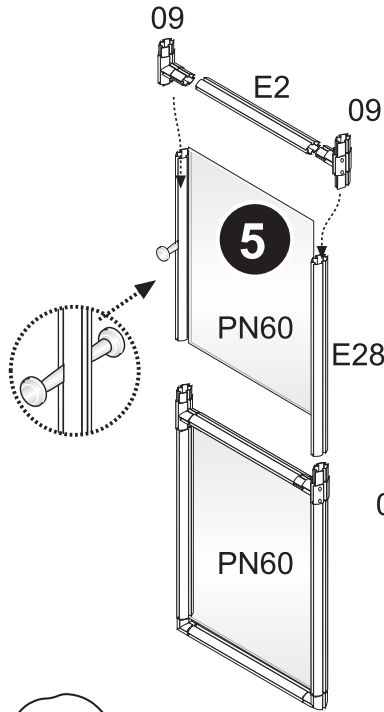
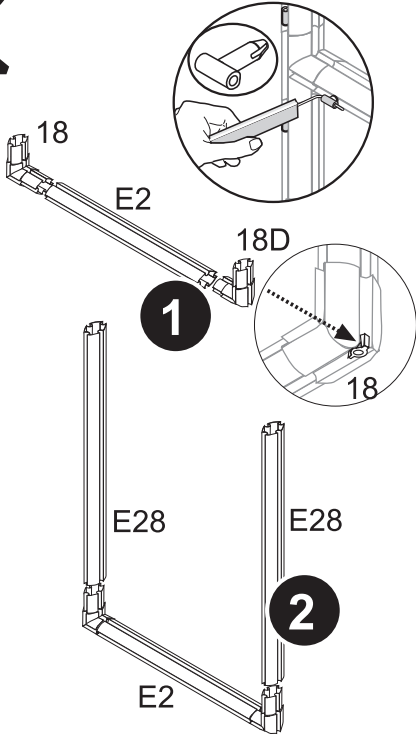
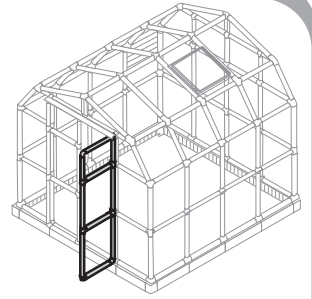
44 Left Door



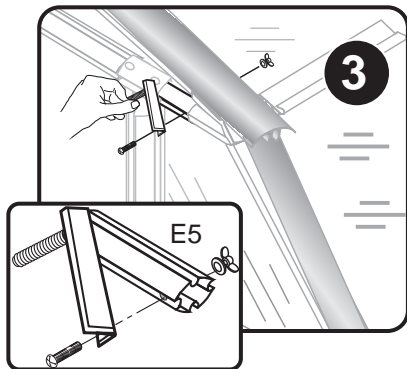
45 Right Door



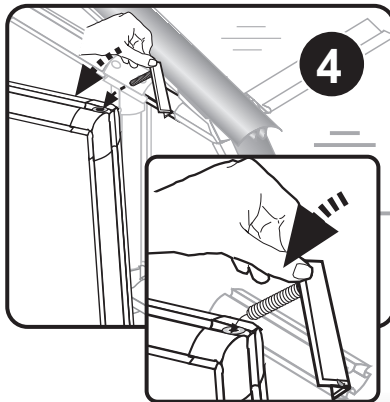
45 Right Door



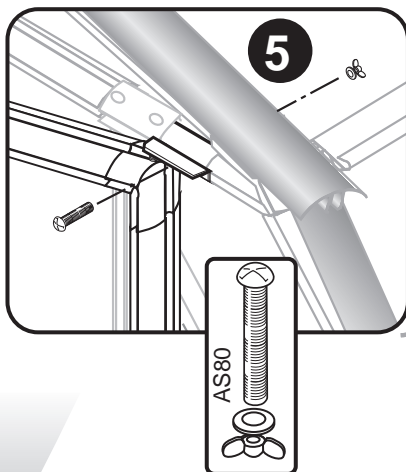
46



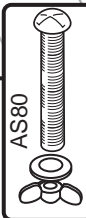
3



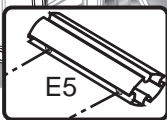
4



5



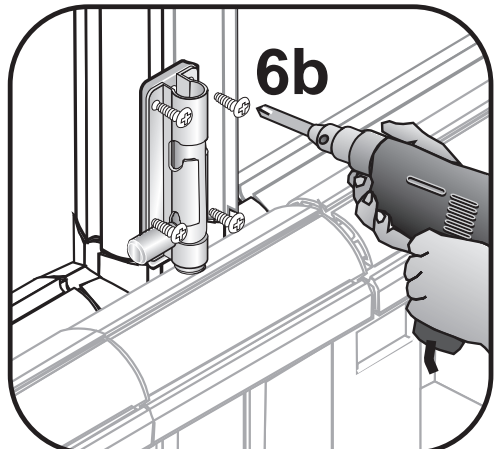
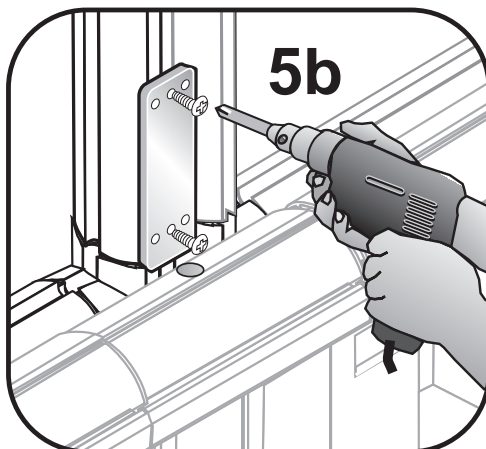
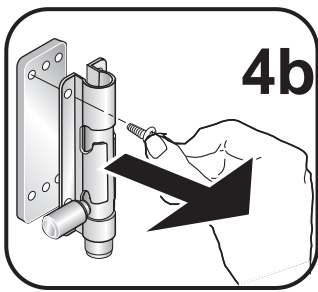
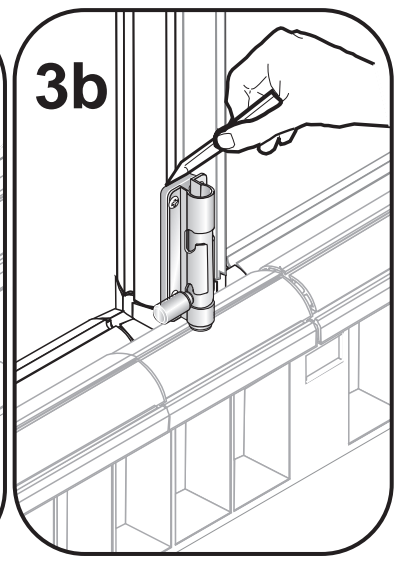
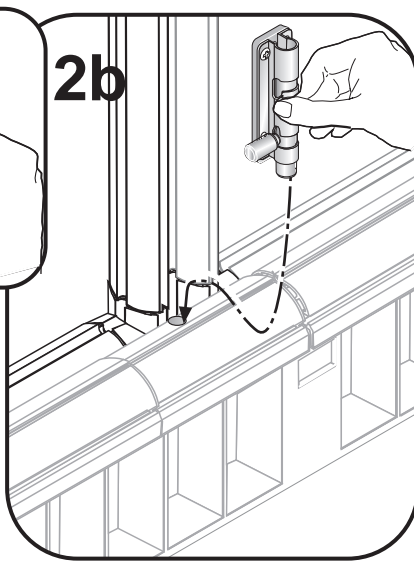
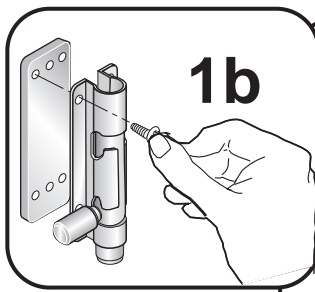
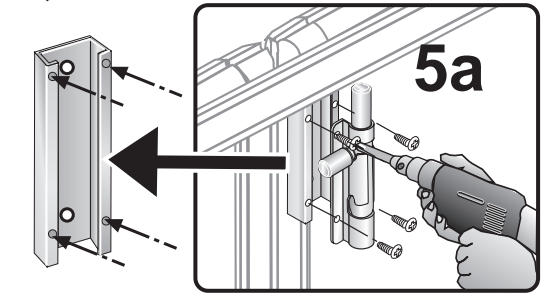
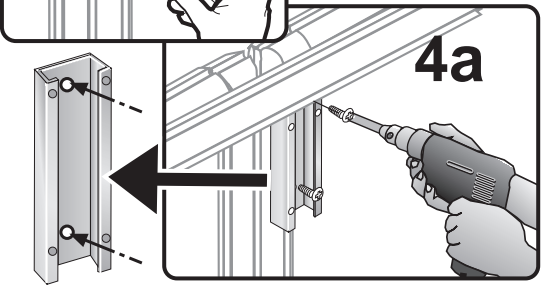
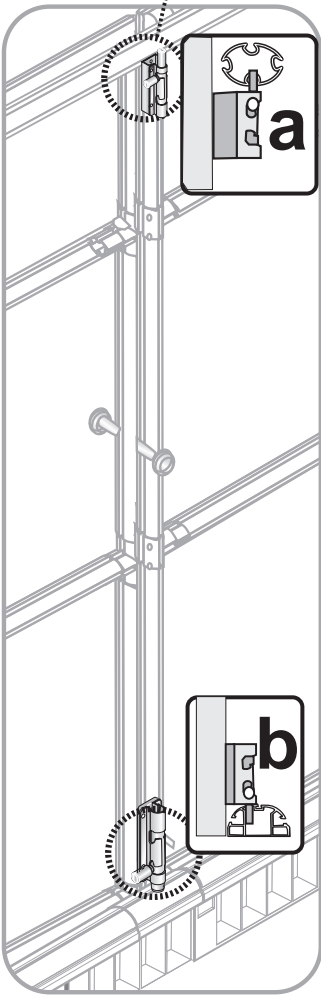
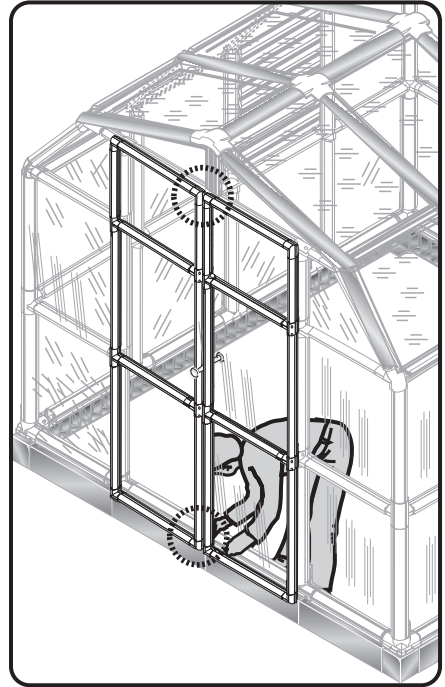
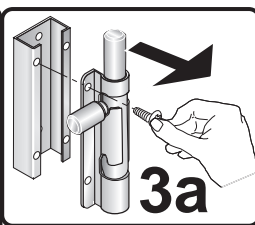
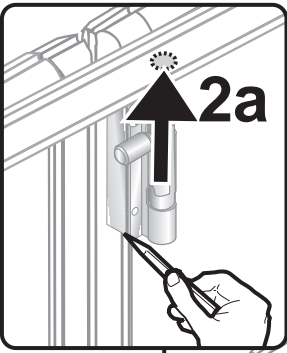
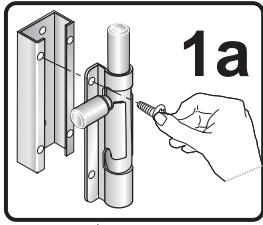
2

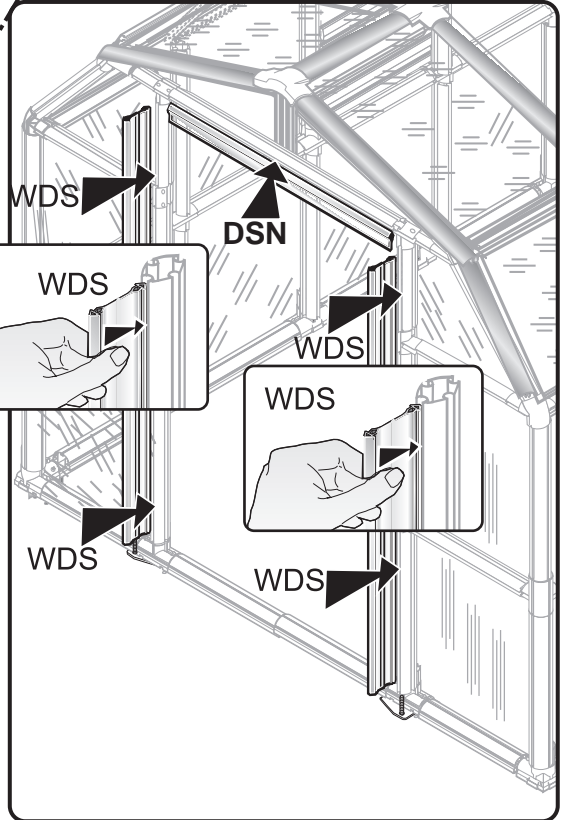
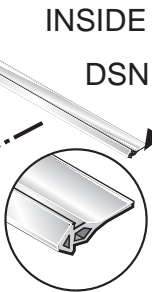
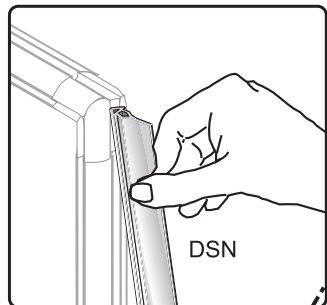
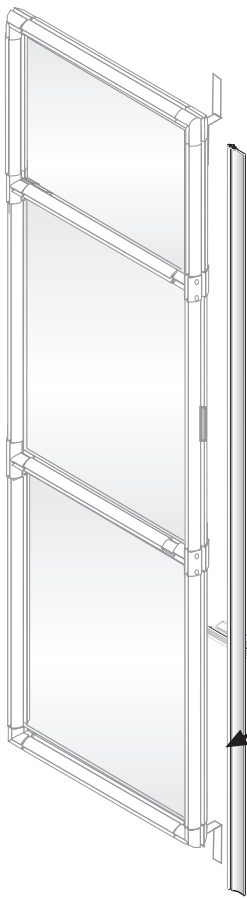
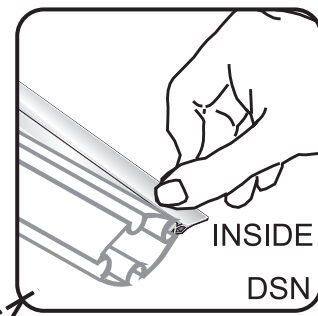
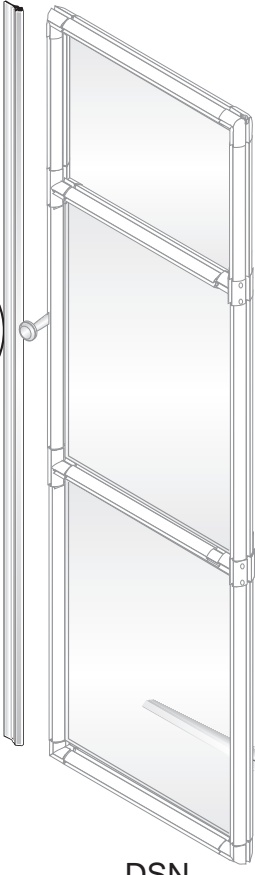
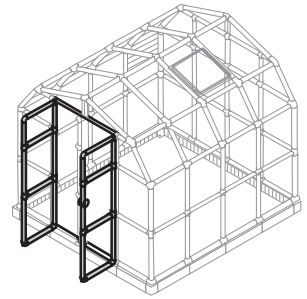
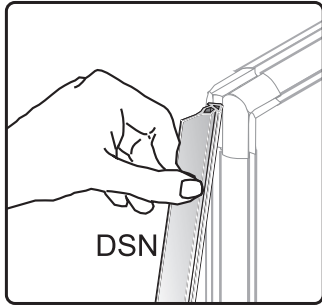


1

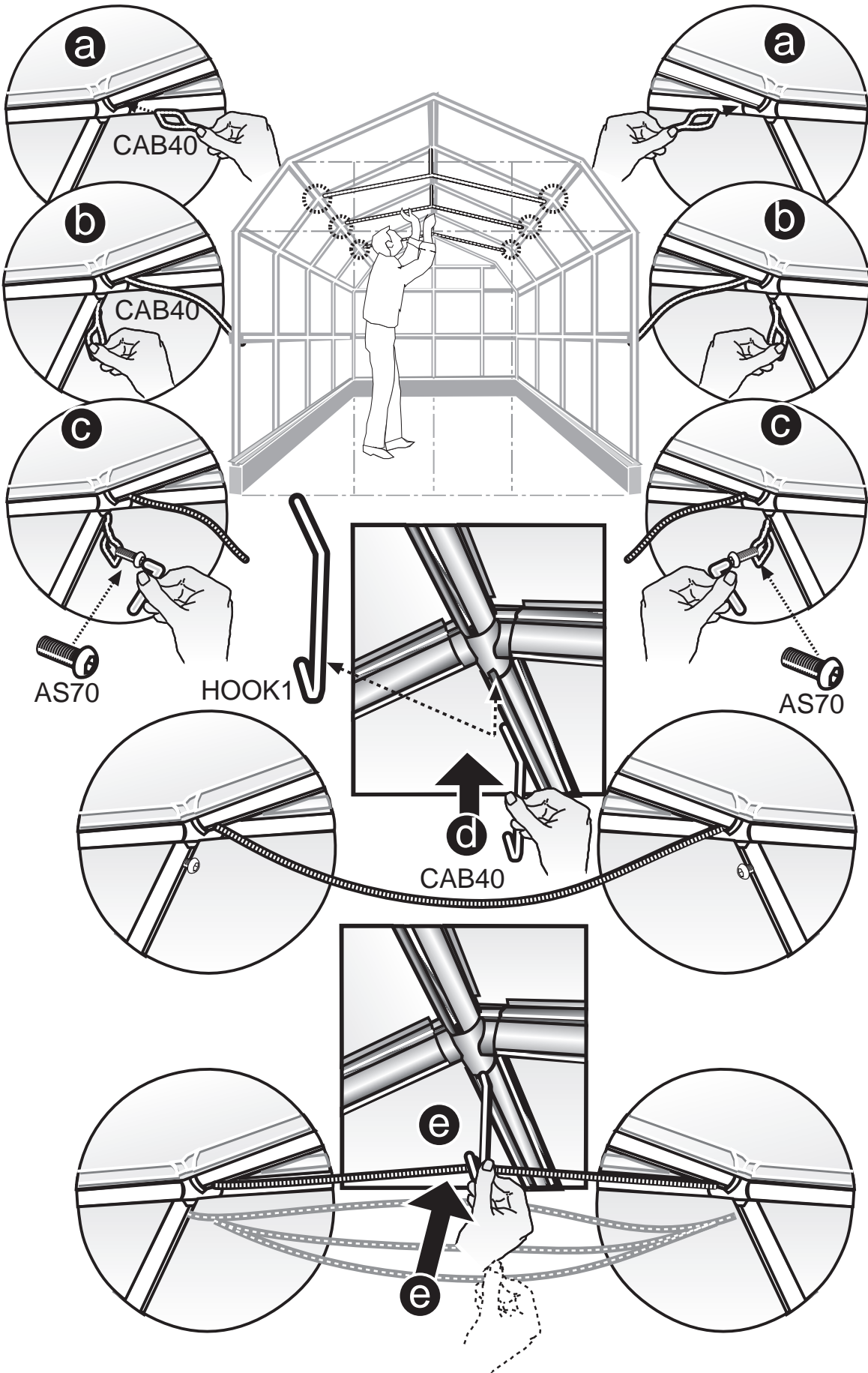
1

47

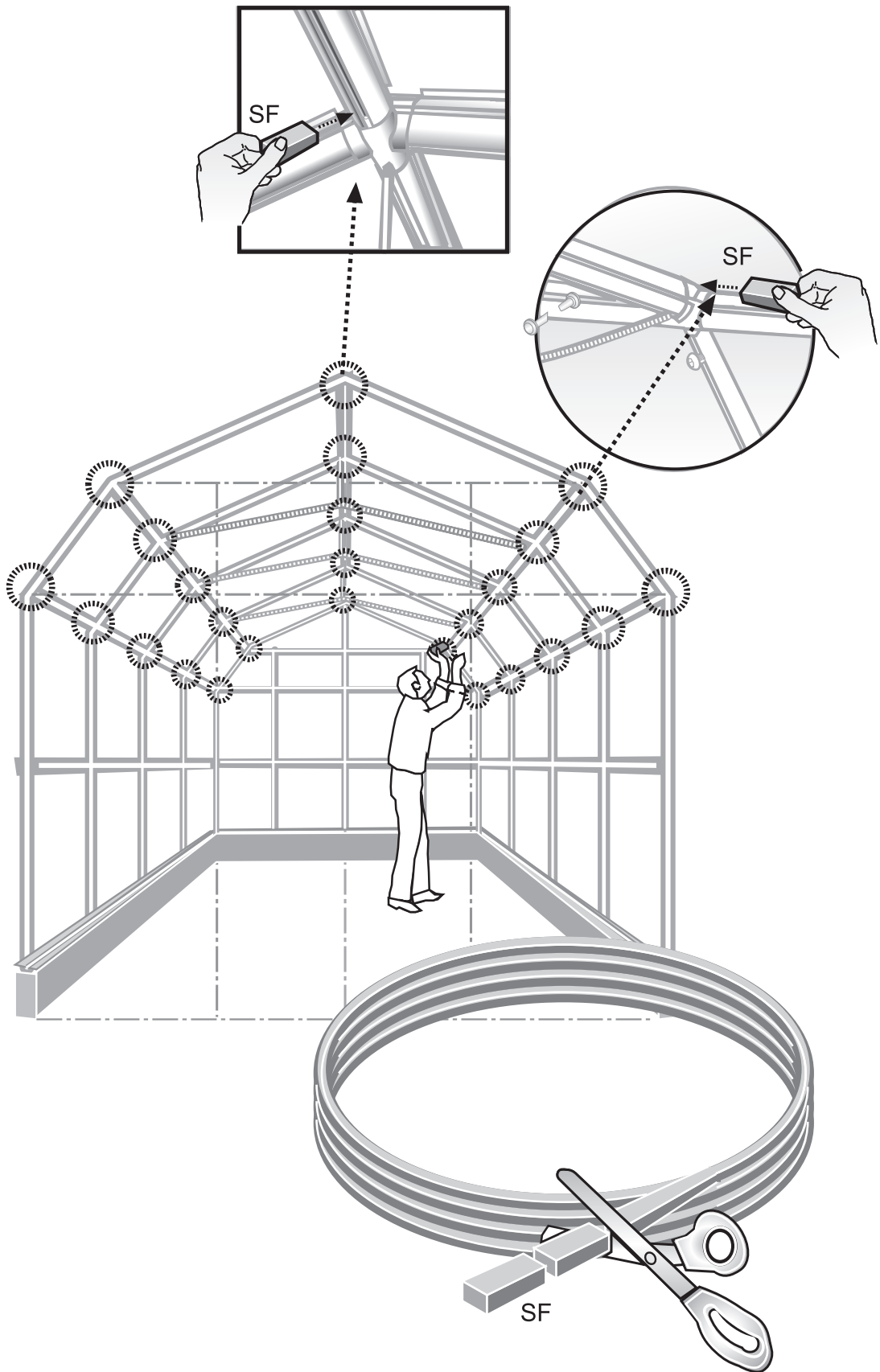




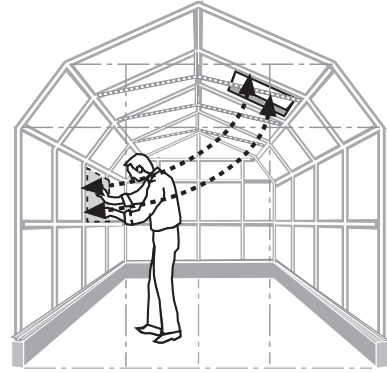
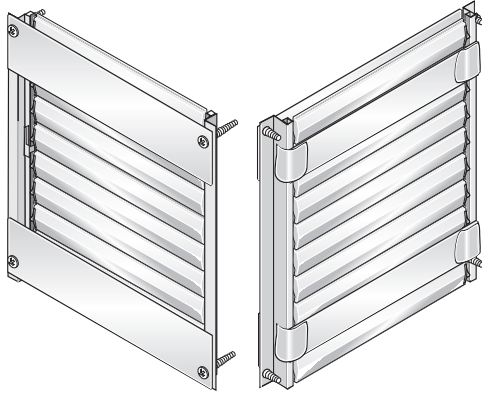
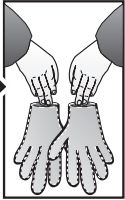
49



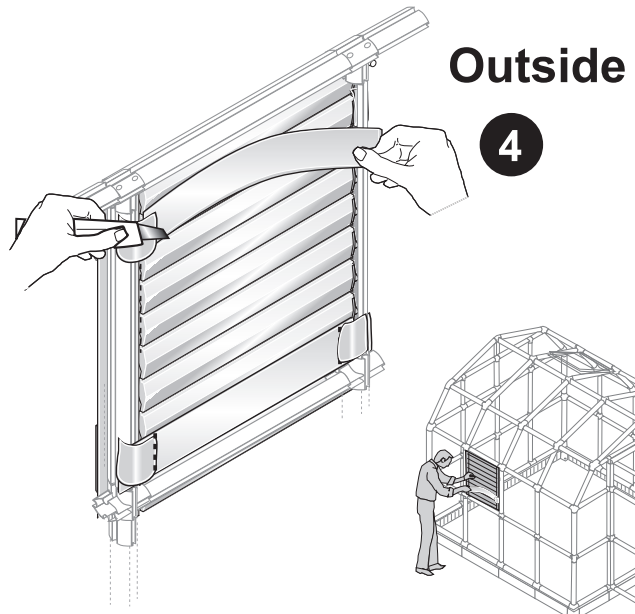
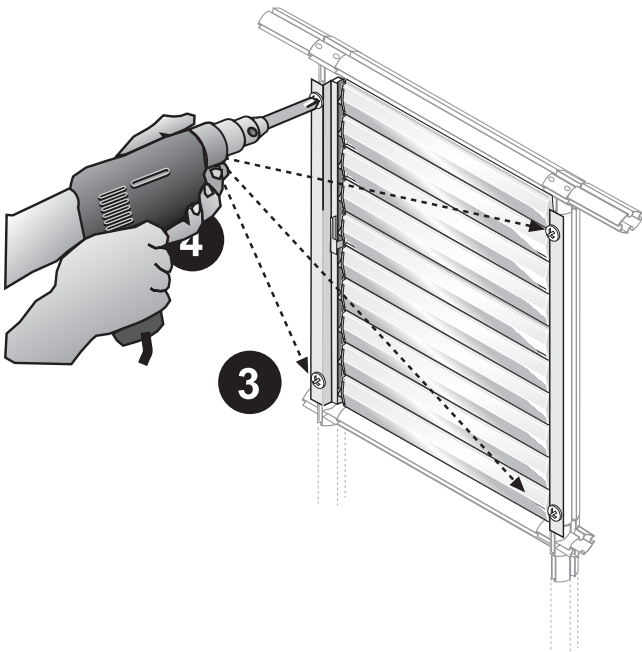
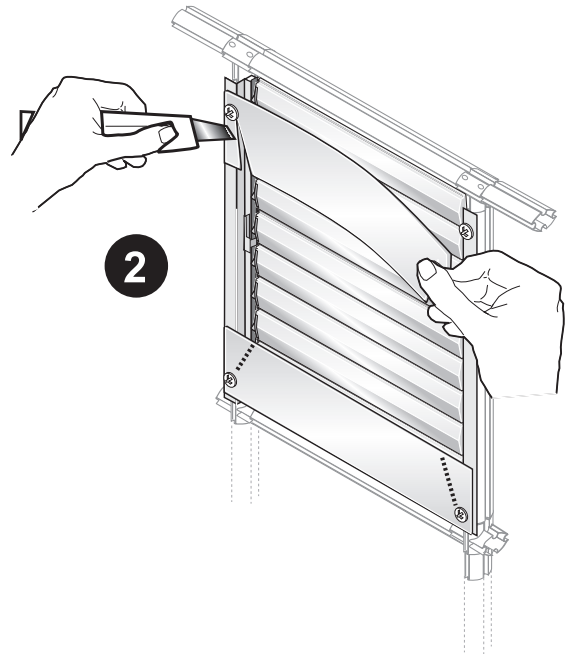
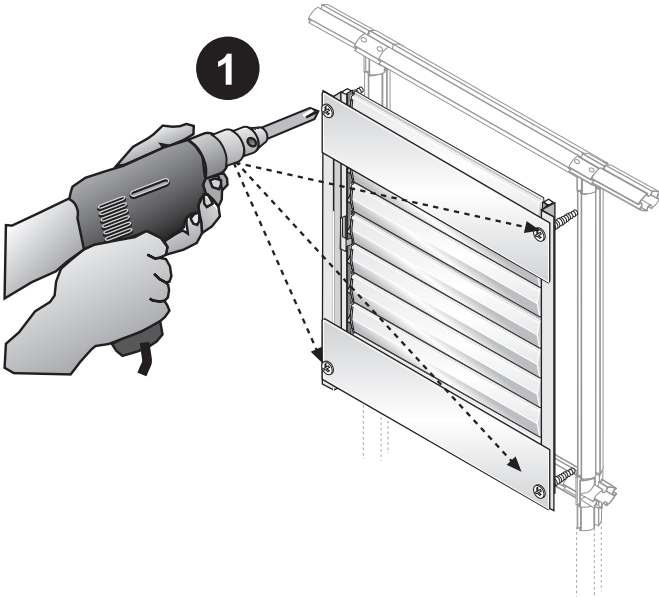
50



51

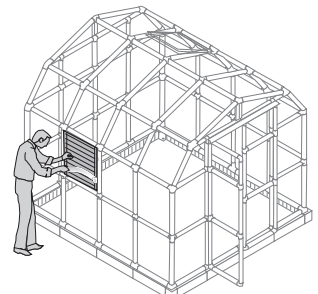


1 2 3 -Inside
4 -Outside



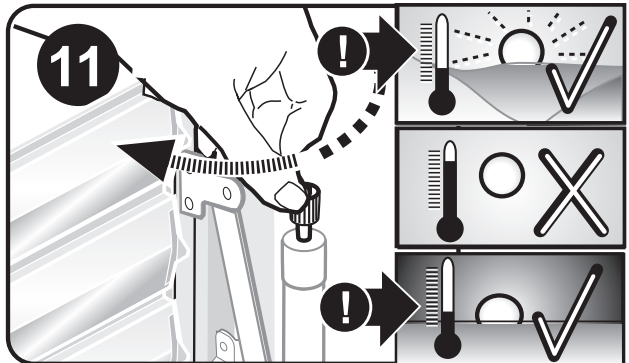
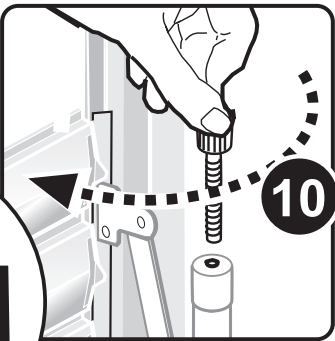
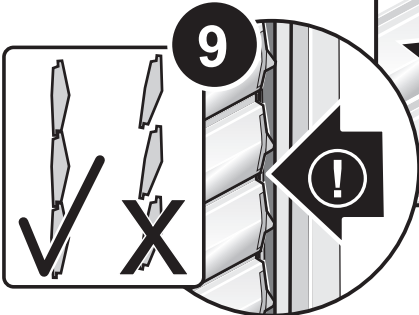
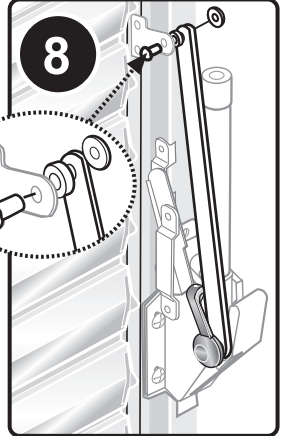
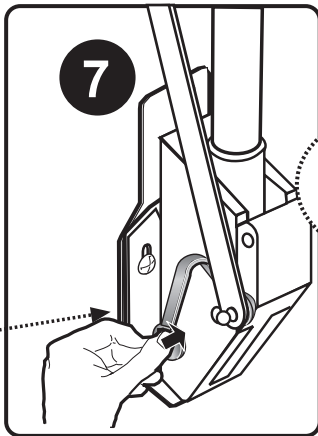
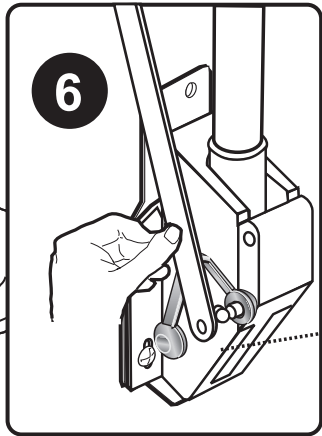
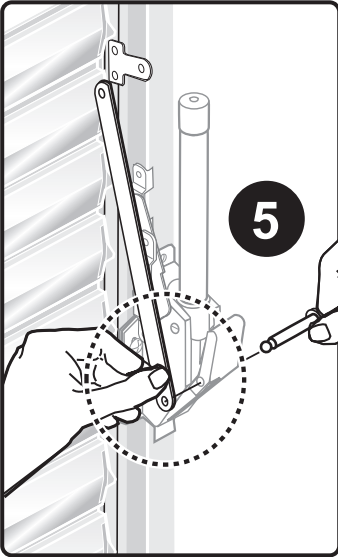
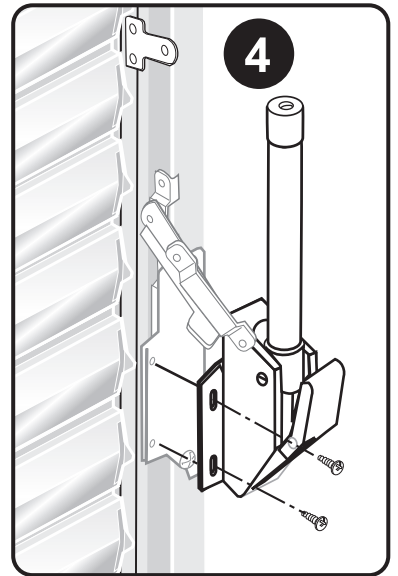
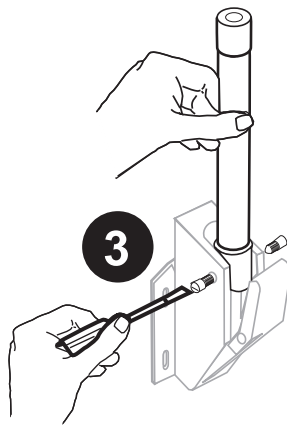
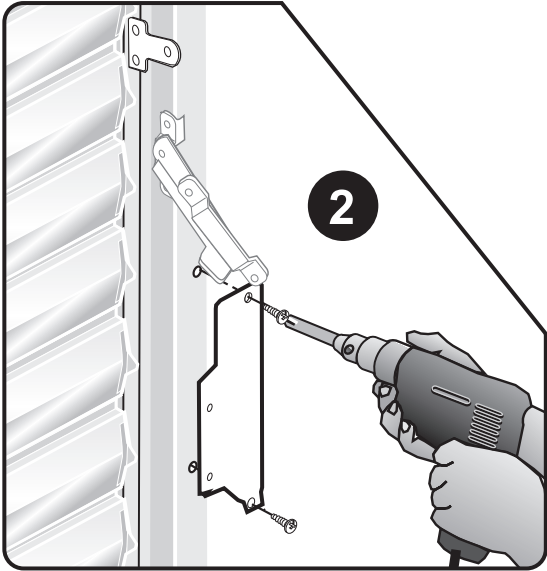
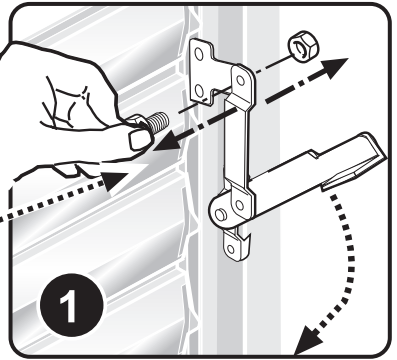
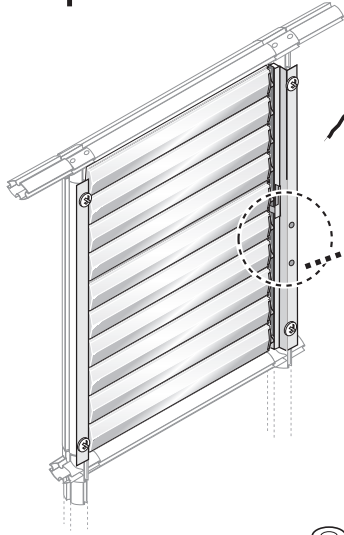
Outside

4



52

Automatic louvered window opener

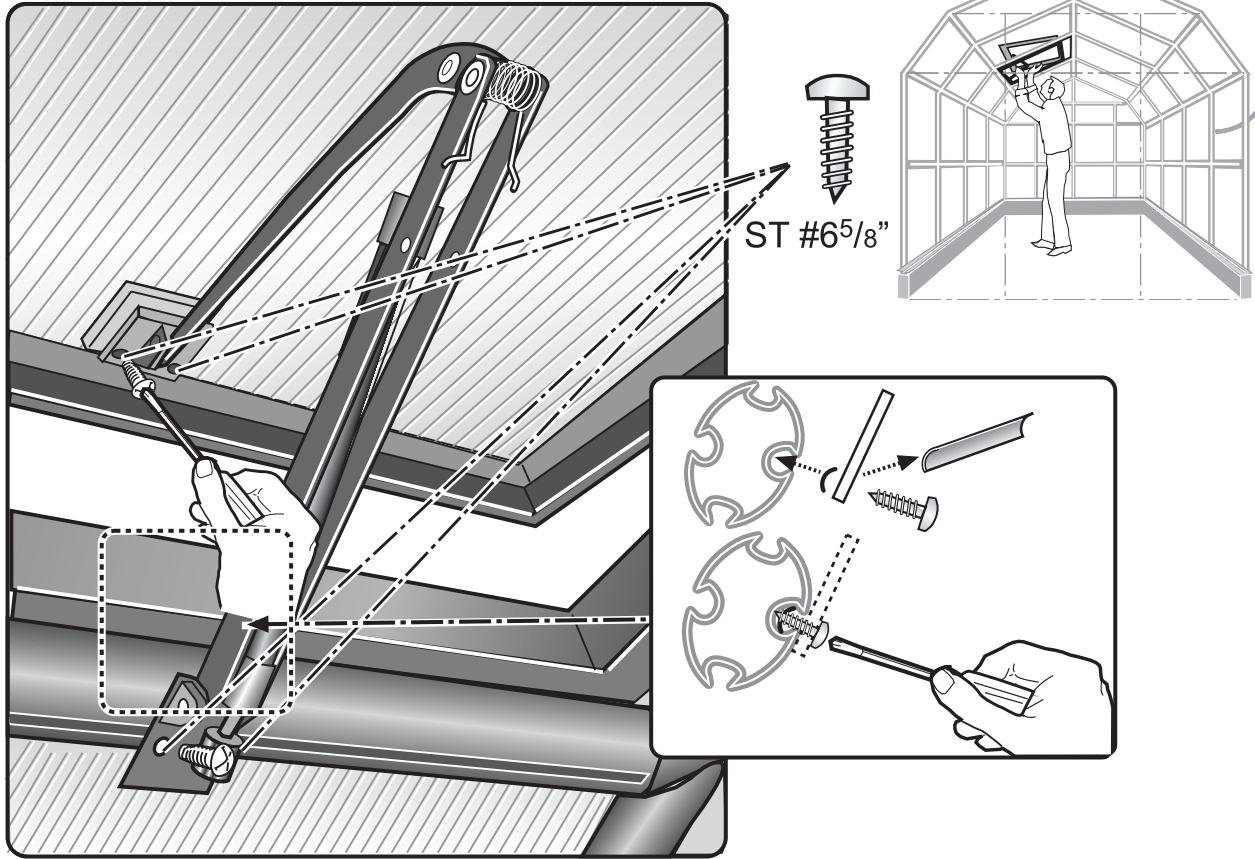


53

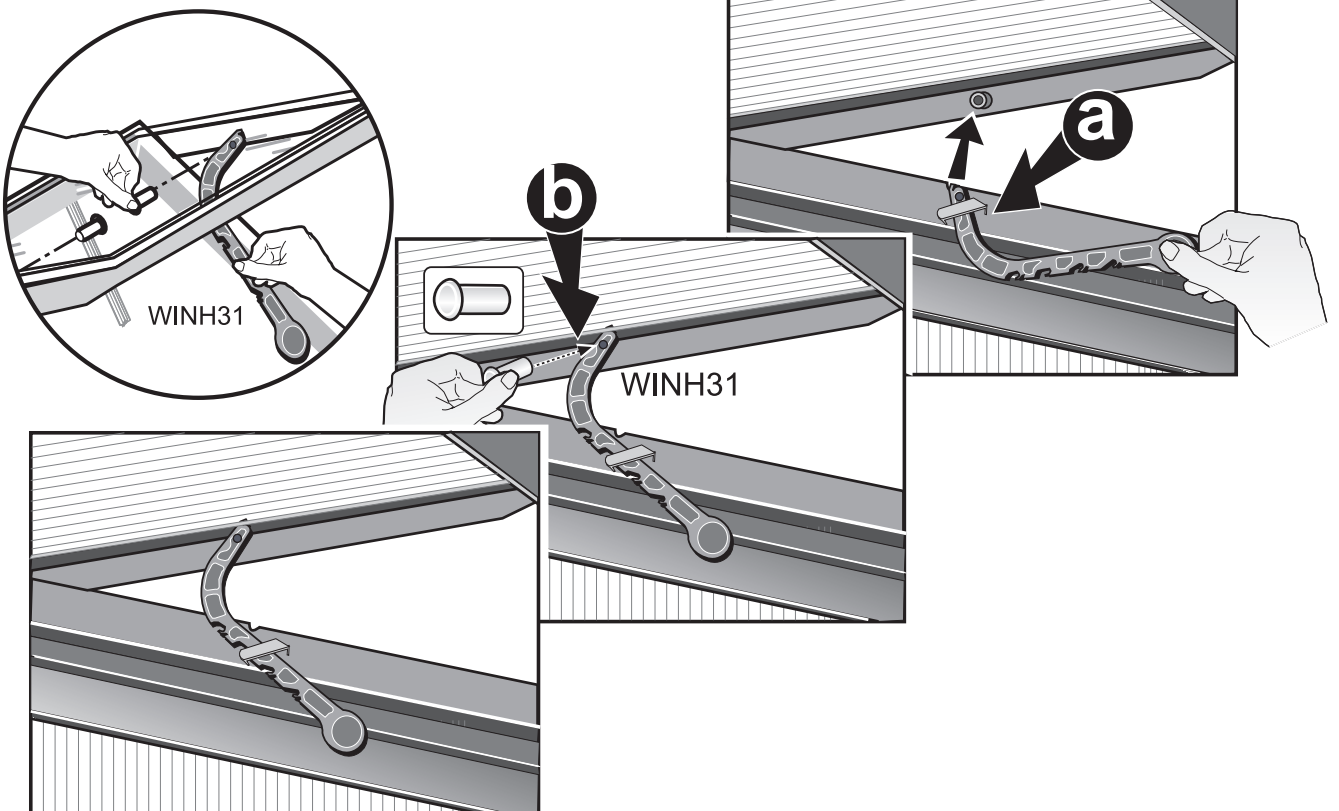
Options for Roof Vent Openers

Please note that you should never have both openers install together. For normal operation use the Automatic opener. For high wind and cold weather install the manual opener and lock the window. Installing the manual and the automatic openers together, might break the window.

A. Automatic Roof Vent Opener

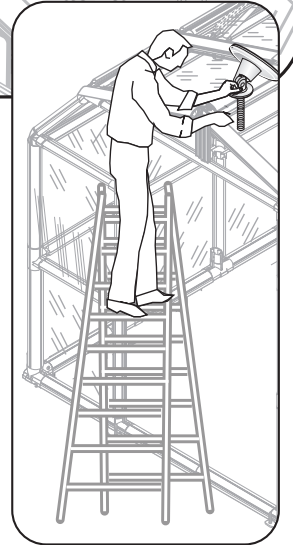
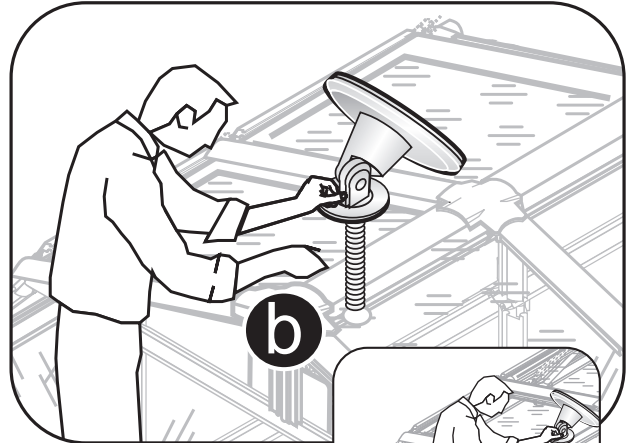
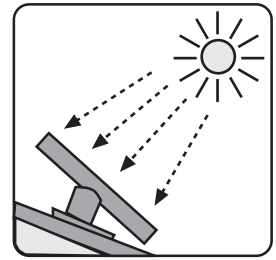
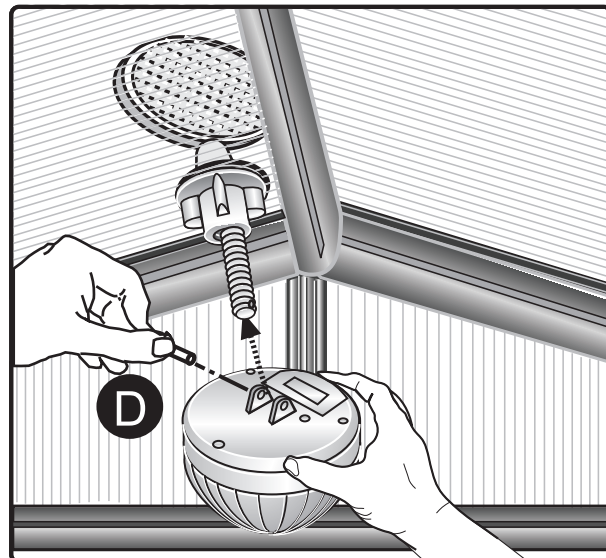
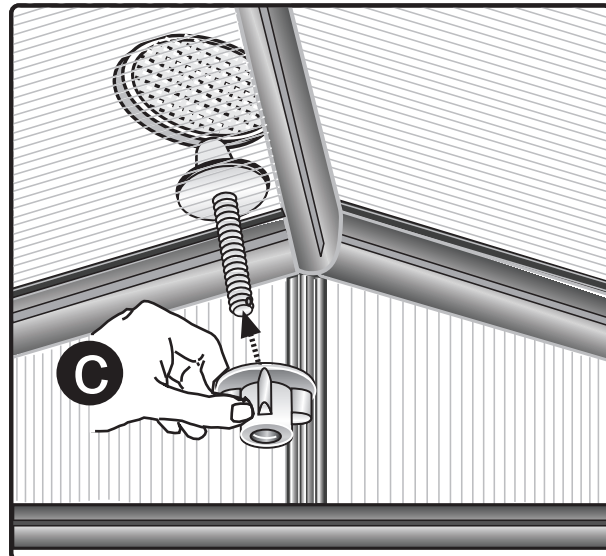
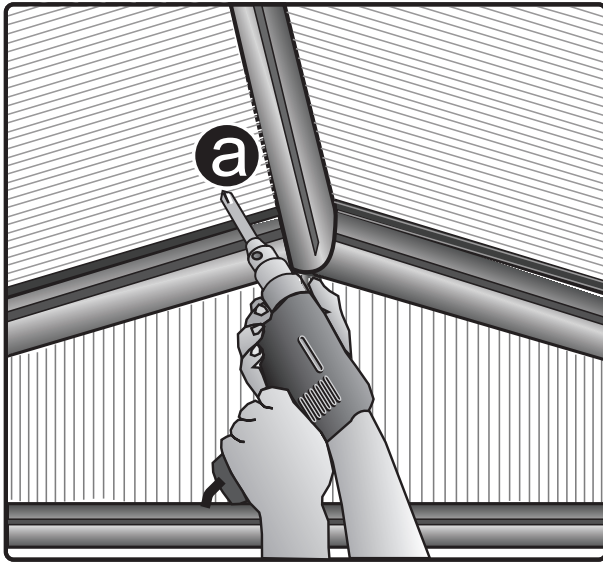


B. Manual Roof Vent Opener



54

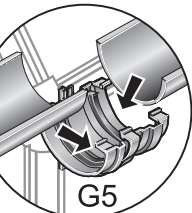
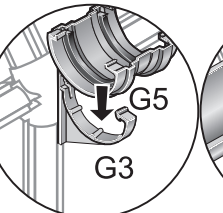
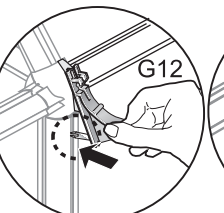
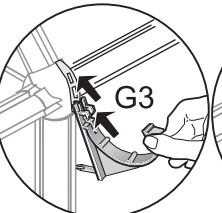
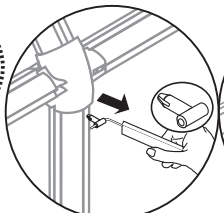
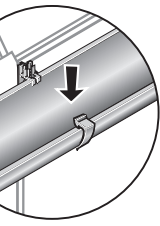
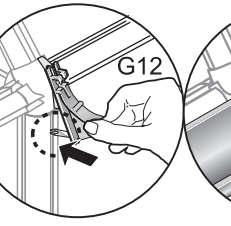
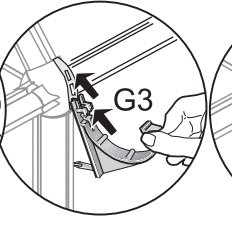
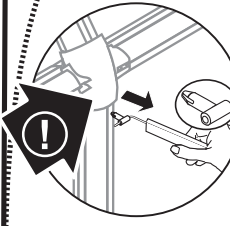
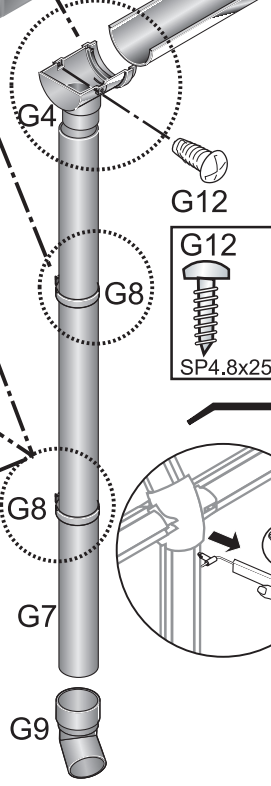
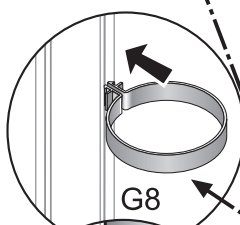
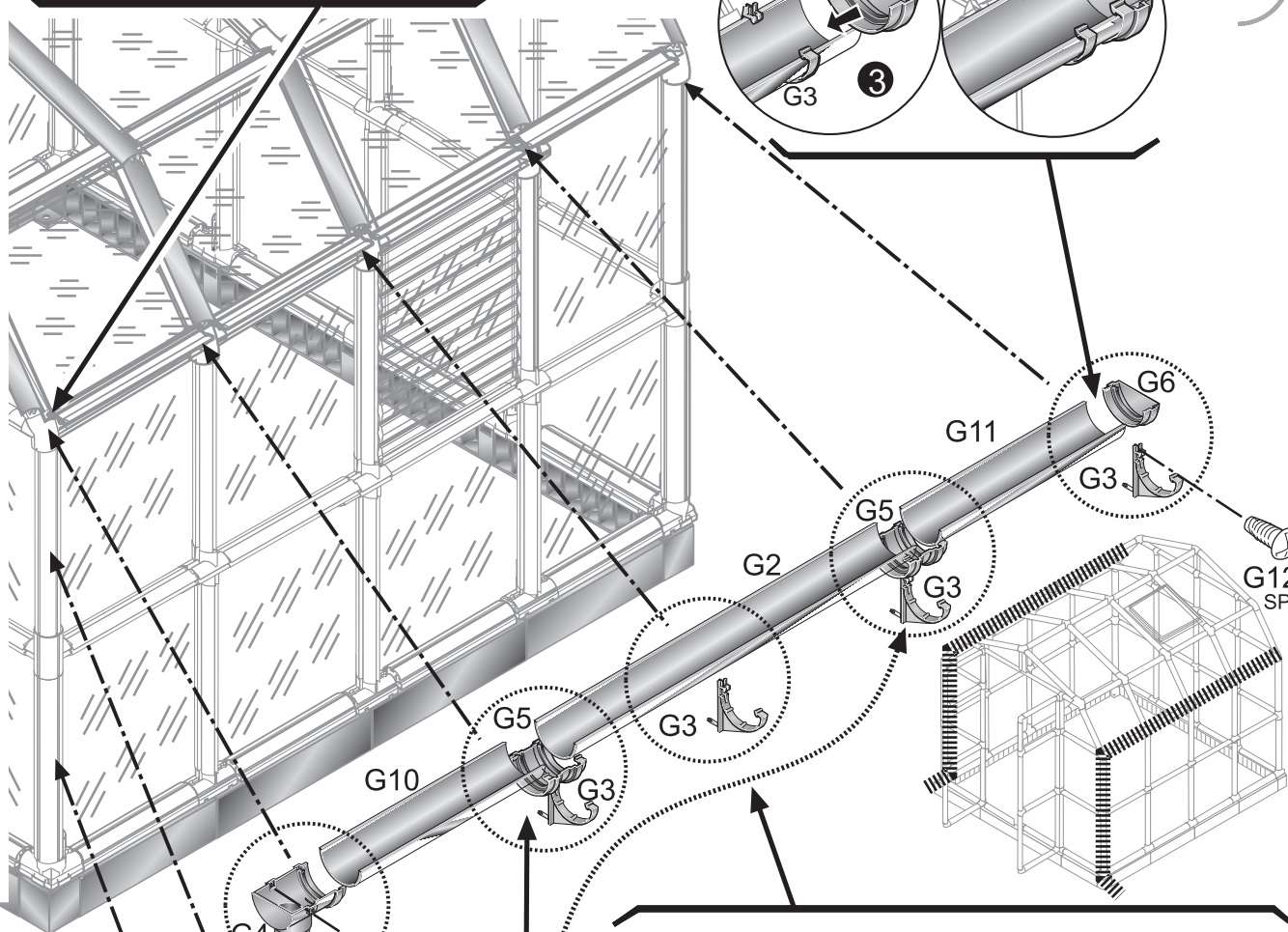
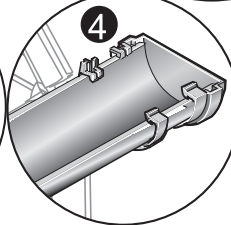
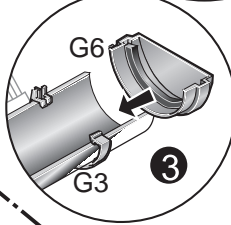
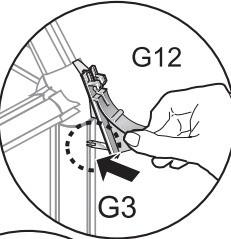
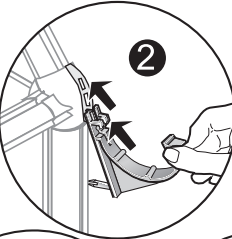
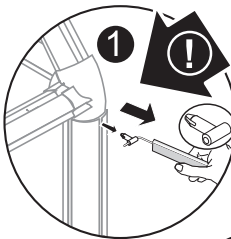
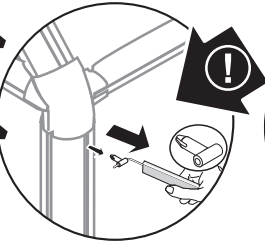
K33 GS- Solar light



★ Complete assembly instructions are included in the Solar Light package.

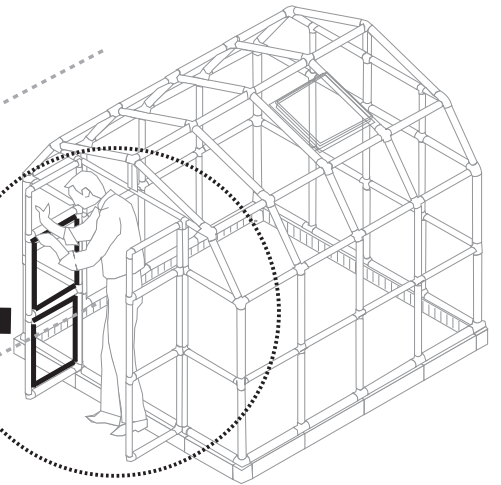
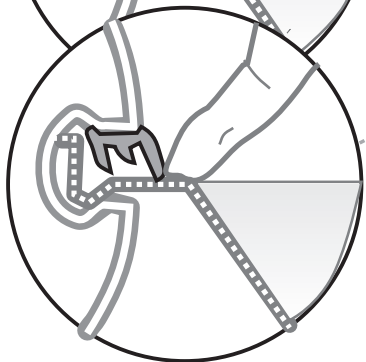
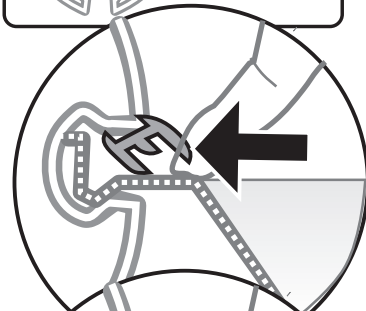
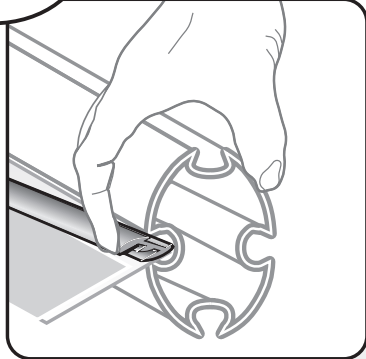
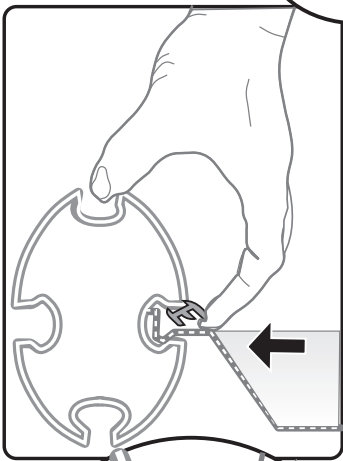
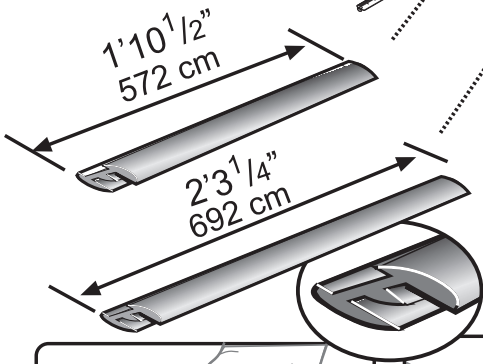
55

Rain gutter on both sides



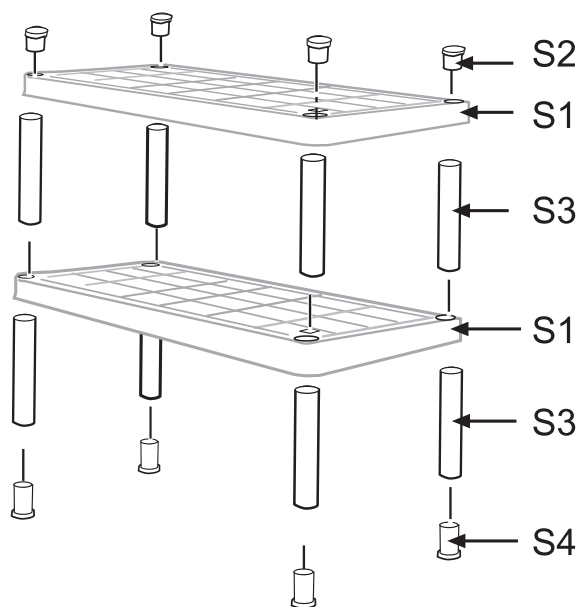
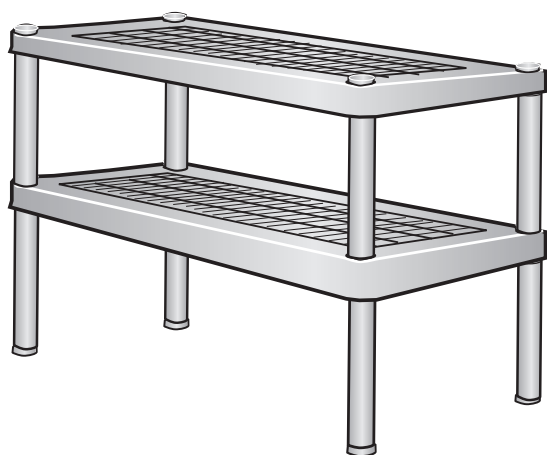
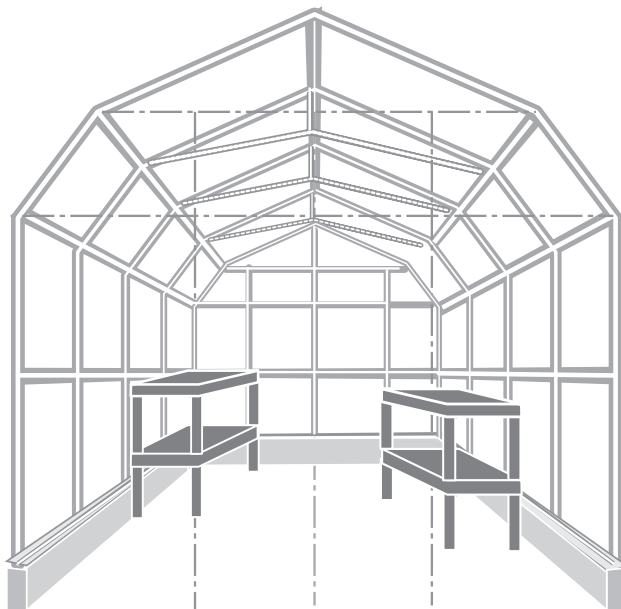
56

Sealing Rubber



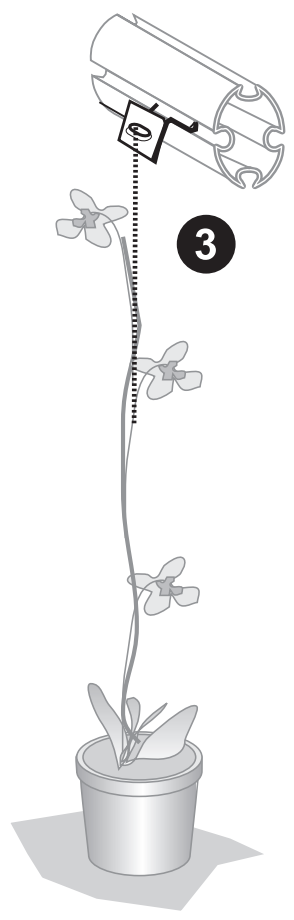
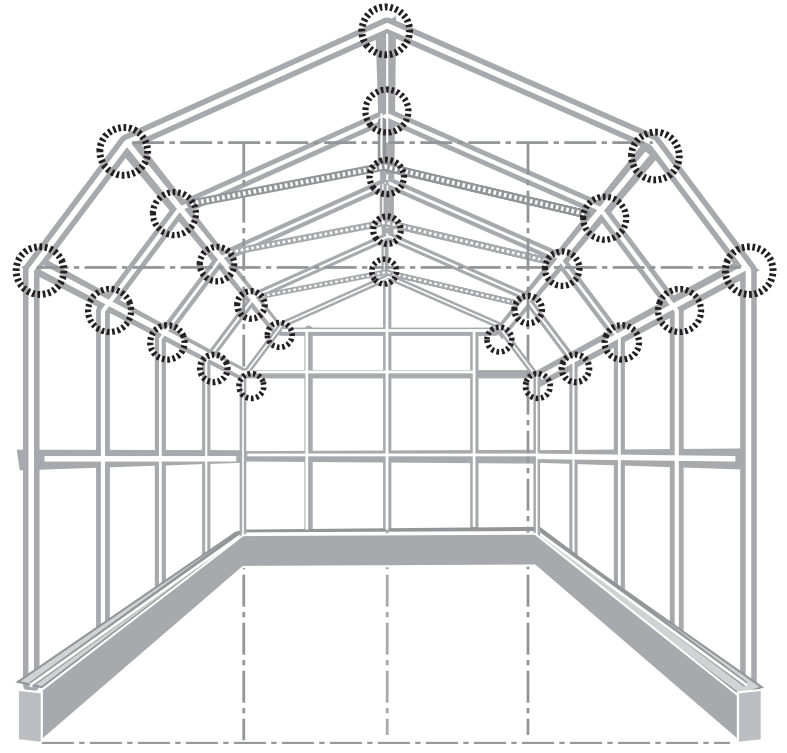
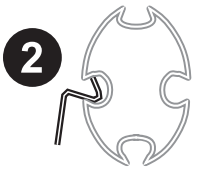
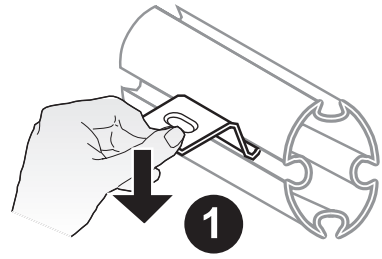
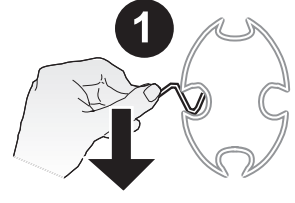
57

Two tier staging



58

Plant Hangers





Rion Ltd.
Cabri 25120 Israel
www.rion.com
Tel: +972-4-9952666, Fax: +972-4-9952677
Email: marketing@rion.com

Ver.9.09