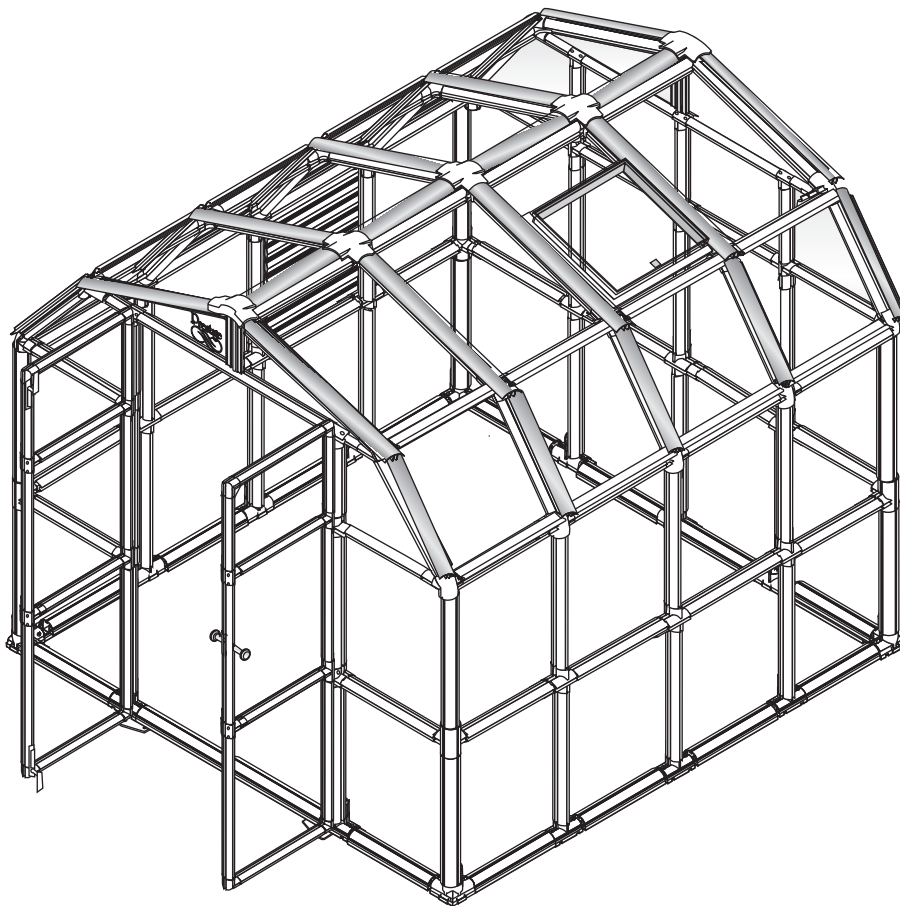




Grand Gardener Assembly Instructions



Accessories Included: Roof vent , L ouvre Side



Rion Ltd. Cabri 25120 Israel
www.rion.com
Email: marketing@rion.com
Tel: +972-4-9952666
Fax: +972-4-9952677

Authorized Rion Distributors

USA

Systems Trading Corporation - STC

Sales: 450 Seventh Ave. Suite 2809

New York, NY 10123

Tel: 212 239 8230 Ext. 107

Toll Free: 800 293 2923 Ext. 107

Fax: 212 239 8240

Sales Manager: Ames@stcaustin.co

Customer Service

Toll Free: 877 407 9100 Ext. 1

Fax: 512 407 9242

Email: customerservice@stcaustin.com

www.stcny.com



**Systems
Trading
Corporation**

www.stcny.com

Korea

Dowin Corporation

3F Daeki BQD' 1031-7 Bangbae-3 dong

Seocho-gu, Seoul, Korea

Tel: +82 2 583 8511

Fax: +82 2 583 8512

dowin@polygal.co.kr

www.rionkorea.com



Germany

Clemens HobbyTec GbR

Rudoif-Diesel-Str.8

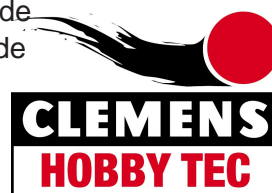
D-54516 Wittlich / Germany

Tel: +49 (0) 6571 / 929-222

Fax: +49 (0) 6571 / 929-198

info@clemens-hobbytec.de

www.clemens-hobbytec.de



USA

Backyard Living Source, Inc.- BLS

Sales: 800 South Industry Way Suite 350

Meridian, ID 83642 USA

Tel: 208-287-6601

Fax: 208-287-6602

www.ecogreenhouse.com

info@ecogreenhouse.com



Australia

Oldfields Pty Ltd

8 Farrow Road

Campbelltown N.S.W. 2560

Tel: + 61 2 4627 0777

Fax: +61 2 4627 0999

sales@oldfields.com.au

www.oldfields.com.au/treco/greenhouses.htm



South Africa

Easy Greenhouses CC

P.O.Box 538, Olivedale 2158

Sales and Support: Linda Hill

Tel: +27 11 792 7583

Mobile: +27 82 777 6681

linda@easygreenhouses.co.za

www.easygreenhouses.co.za



Safety first

Please read these Assembly Instructions in their entirety before starting assembly and save the Instructions so you can refer back to them if you wish to add options or make repairs. The manufacturing date of your greenhouse is indicated on your assembly instruction booklet. Please save it for future use when you call to customer service.

Check the contents of the Greenhouse packaging against the packing list and the parts required for your model, listed in the manual from page 4 onwards. Do not begin the assembly process if any part is missing.

- We recommend that you wear gloves during assembly.
- Rion is not responsible for the misuse of tools or parts.
- If local building codes require permits or licenses, make sure that they are issued before you start assembling.
- Your Greenhouse should be securely anchored to the foundation or to the Modular Base using the recommended hardware.
- Exercise caution when lifting heavy assemblies.
- Do not attempt to assemble your Greenhouse in high winds.
- We recommend that you install your Greenhouse in location where it will be exposed to direct sunlight and where it will be protected from the wind as far as possible. The door should not face prevailing winds.
- Close all roof vents during high winds.
- It is important to clear your Greenhouse of snow during winter.
- If you live in a hot climate, where external temperatures exceed 46°C (115°F) in the sun or 36°C (99°F) in the shade, this may cause the temperature inside the Greenhouse to exceed 55°C (131°F). Such conditions may damage your plants. In order to prevent damage:
 - Ensure good ventilation during hot days,
 - Install shading screens, such as the Rion ShadeNet (available as an option).

Required Tools

Before you begin assembly, make sure that you have the following tools on hand:

Measuring tape

Spirit level

Scissors

Gloves

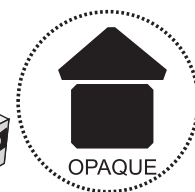
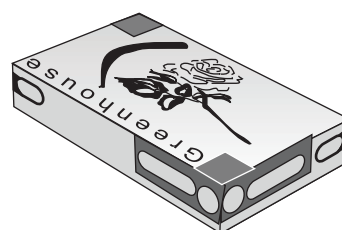
Razor knife

Drill

Note: You may find some parts easier to assemble if you first moisten them with soapy water. If a hole in the connector is missing, drill a hole with a 6 mm (1/4") drill bit through the assembled profile

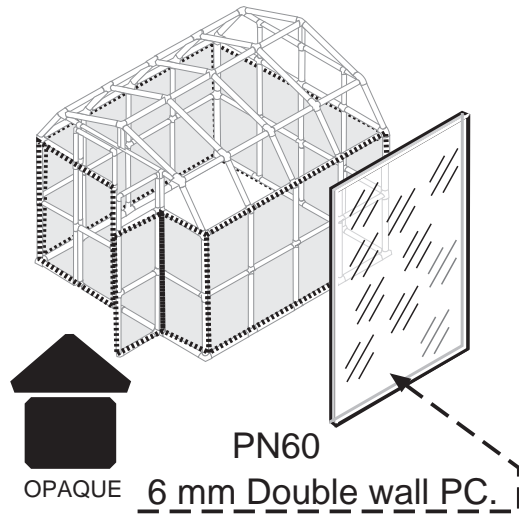
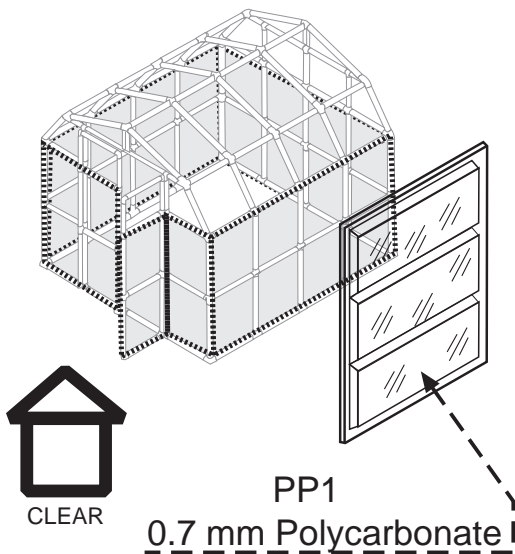
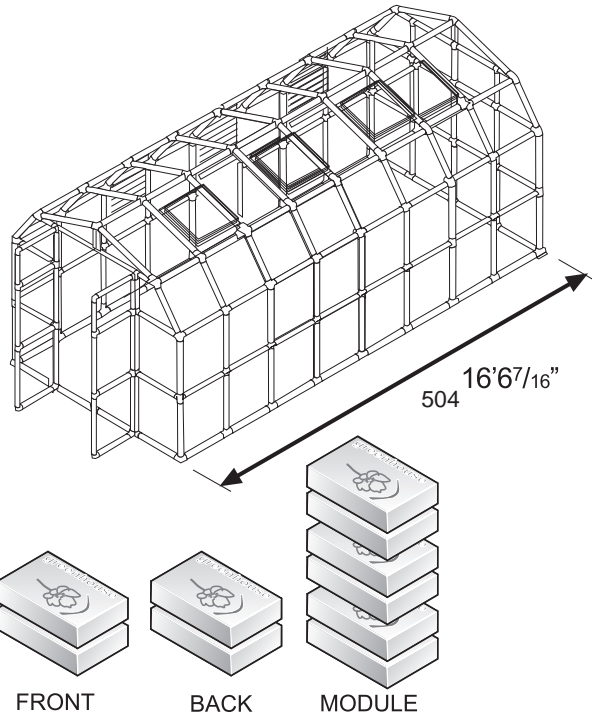
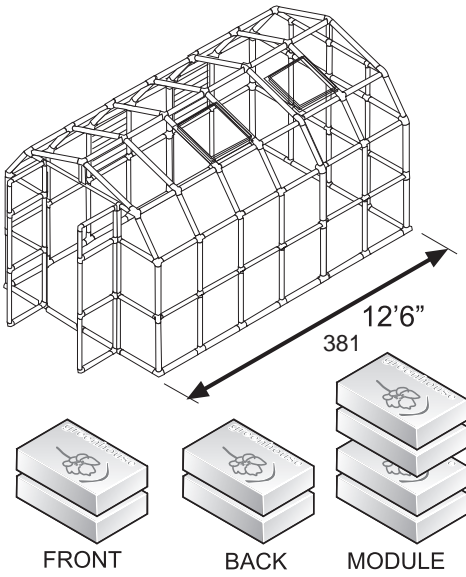
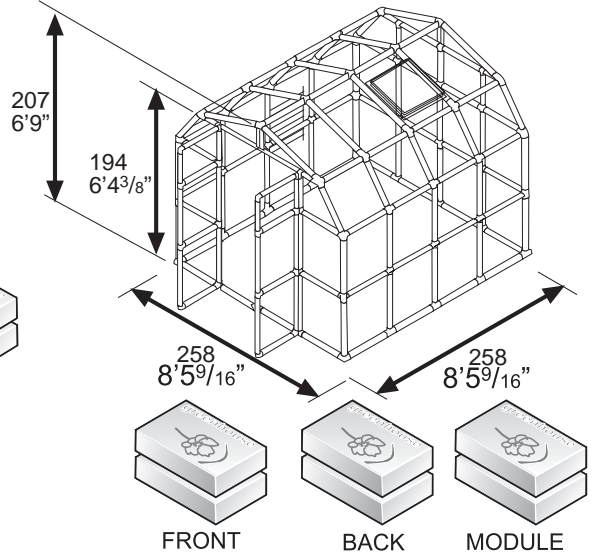
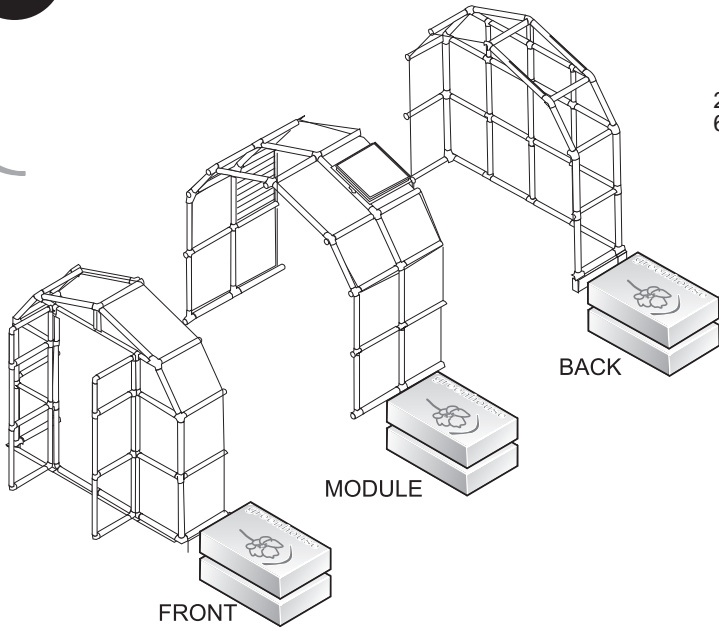
These symbols indicate your chosen greenhouse

Greenhouse type

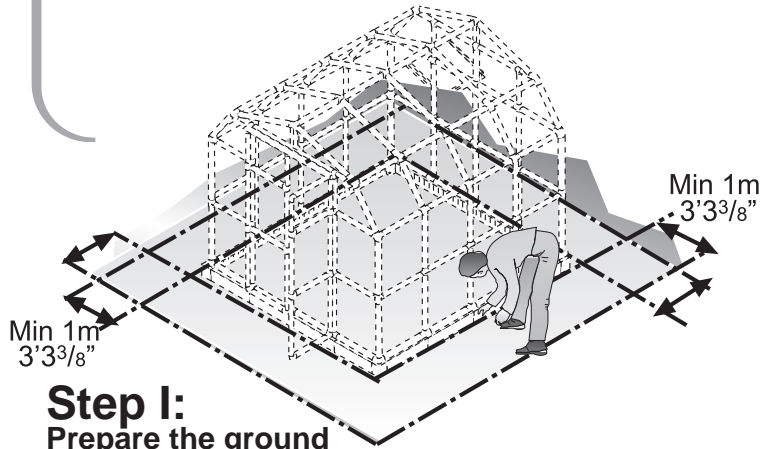


A

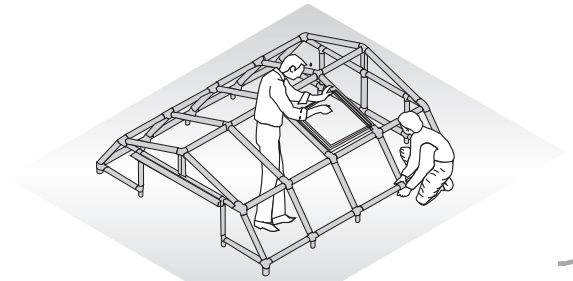
Introducing your Modular Greenhouse



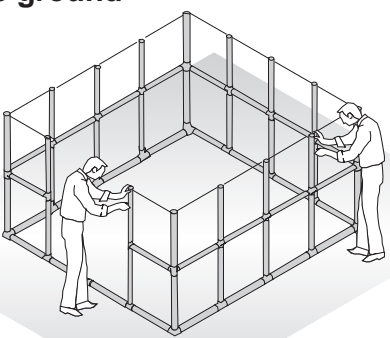
B The five procedures in building a greenhouse



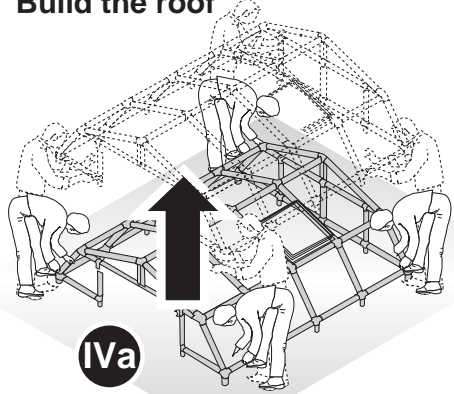
Step I:
Prepare the ground



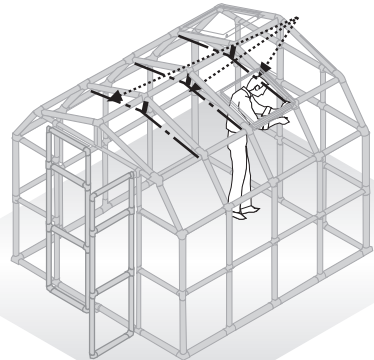
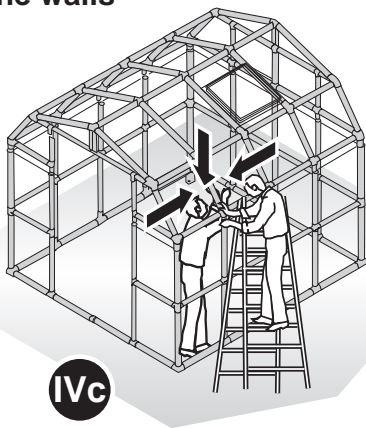
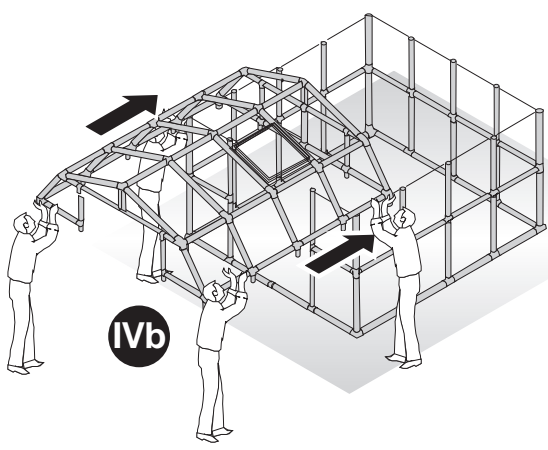
Step II:
Build the roof
See From Page 9



Step III:
Build the walls
See From Page 26



Step IV:
Attach the assembled
roof on the walls
See From Page 31

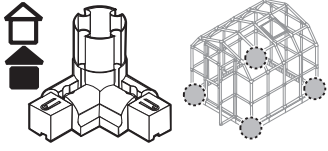
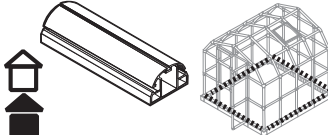
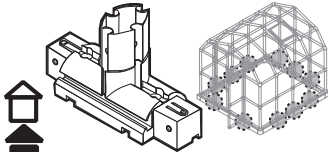
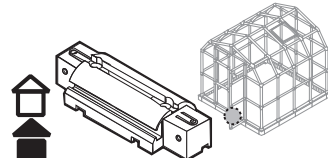
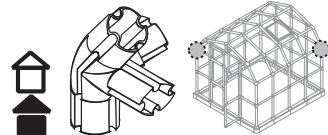
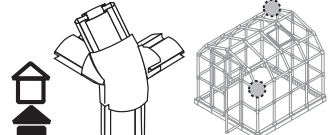
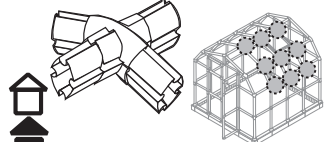
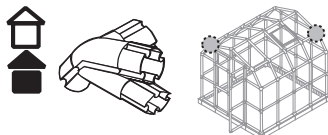
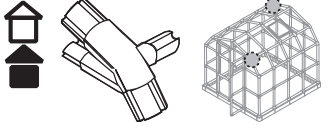
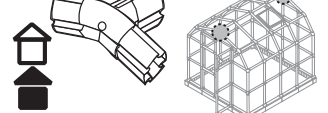


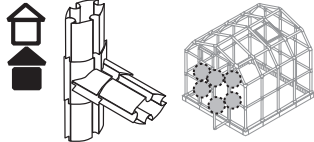
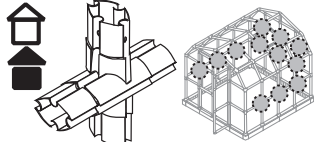
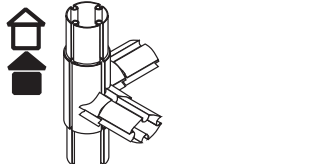
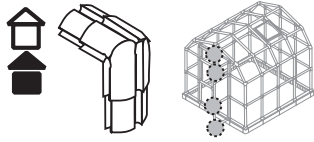
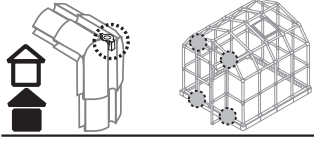
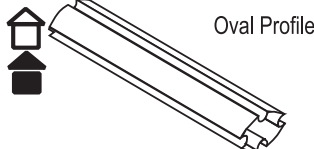
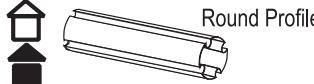
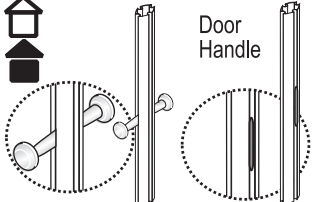
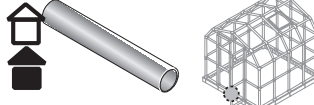
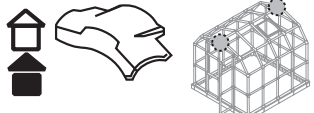
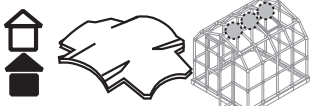
Step V:
Greenhouse Interior:
doors and louvered window
See From Page 43

Parts list

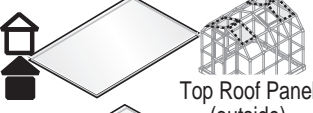
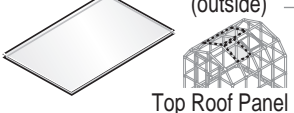
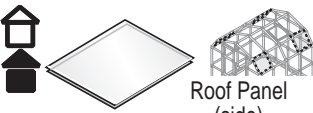
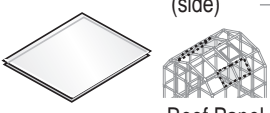
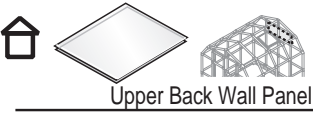

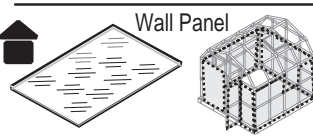
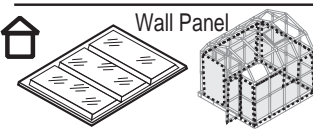
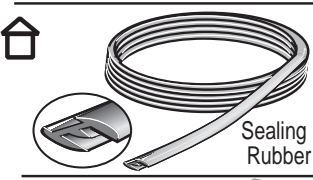
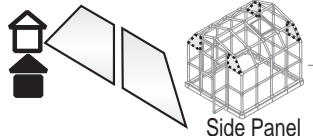
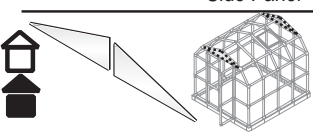
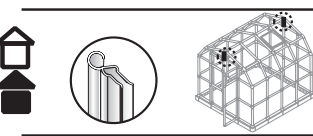
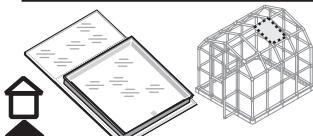


The part code is stamped on each connector. Profiles are listed in order by size, largest to smallest. Panels are identified with stickers. Some glazing elements (RA, RB, RC, and RD) are placed inside the long profiles in the interests of space.

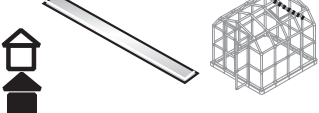
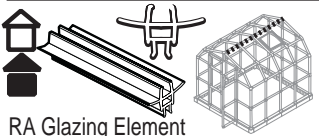
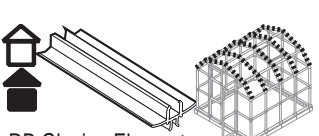
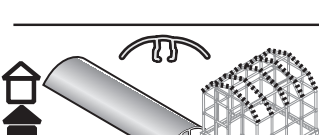
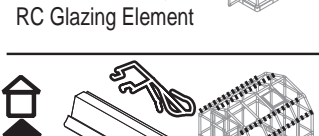
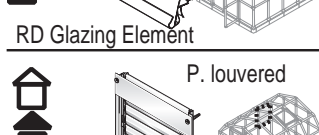
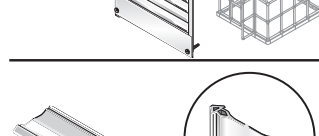

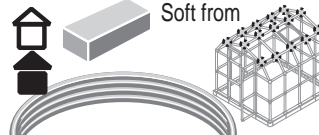
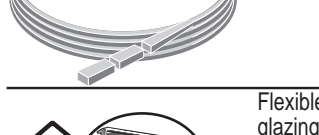
Exact dimensions can be found in the packing list.

Description	Quantity				
	Part Code	Front	Back		Middle
	01	2	2		Corner Frame Base Connector
	B2	6	6	4	Base Profile (500 mm, 1' 7 11/16"
	2D	3	4	4	Frame Connector
	15	1			Door Frame Connector
	3A	1	1		Left Rib Connector
	4A	1	1		Right Rib Connector
	5A	3	2	10	Rib Connector
	6A	1	1		Left Pediment Connector
	7A	1	1		Right Pediment Connector
	8A	1	1		Top Pediment Connector


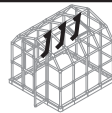
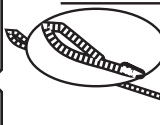
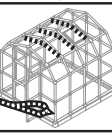

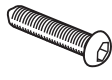
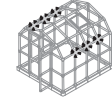
Description	Quantity				
	Part Code	Front	Back		Middle
	09	14	3		T - Oval Connector
	10	1	7	4	Oval Junction Connector
	16	2	2		Corner Frame Connector
	18	4			Corner Oval Connector
	18D	4			Corner Oval Connector (Door)
	E12	1			1162mm, 3'9 3/4"
	E6	1	1	4	850mm, 2'9 7/16"
	E2	20	18	18	540mm, 1'9 1/4"
	E4	6	3		394mm, 1'3 1/2"
	E5	2	2		134mm, 5 1/4"
	E28	12	8	8	
	R28	4	4		672mm 2'2 7/16"
	R8	2	2		802mm, 2'7 9/16"
	R2	2	2		534mm, 1'9"
	Door H55 Door	1			
	SR1	2			Inner Round Profile (400mm, 1'3 3/4")
	D1	1	1		Side Cap
	D2	1	2		Middle Cap

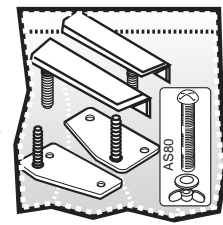
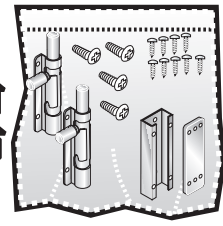
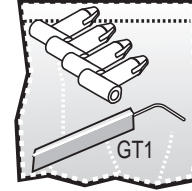
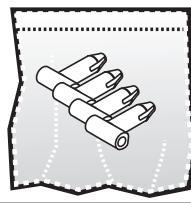
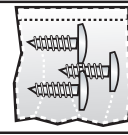
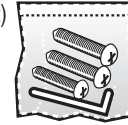
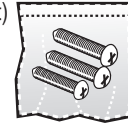
Parts list

Description	Part Code	Quantity			
		Front	Back	Middle	
 Top Roof Panel (outside)	PN 40A	2	2		617x976mm, 2' ⁵ / ₁₆ x3'2' ⁷ / ₁₆ "
 Top Roof Panel	PN 40			3	605x976mm, 1' ¹³ / ₁₆ x3'2' ³ / ₈ "
 Roof Panel (side)	PN 2A	2	2		617x667mm, 2' ⁵ / ₁₆ x2'2' ¹ / ₄ "
 Roof Panel	PN2			4	605x667mm, 1' ¹³ / ₁₆ x2'2' ¹ / ₄ "
 Upper Back Wall Panel	PN9	2	2		599x447mm, 1' ¹¹ / ₉ x1'5' ³ / ₈ "
 Door Panel (top)	PN61	2	2		597x447mm, 1' ¹¹ / ₂ x1'5' ¹⁰ / ₁₆ "
 Wall Panel	PN60	12	12	7	597x725mm 1' ¹¹ / ₂ x2'4' ⁹ / ₁₆ "
 Wall Panel	PP1	12	12	7	597x725mm 1' ¹¹ / ₂ x2'4' ⁹ / ₁₆ "
 Sealing Rubber		1	1	1	
 Side Panel (Left)	PN5L	1	1		581x449mm, 1' ¹⁰ / ₇ x1'5' ¹¹ / ₁₆ "
 Side Panel (Right)	PN5R	1	1		581x449mm, 1' ¹⁰ / ₇ x1'5' ¹¹ / ₁₆ "
 Pediment Panel Half (Left)	PN8L	1	1		Pediment Panel Half 855x274mm
 Pediment Panel Half (Right)	PN8R	1	1		2'9' ¹¹ / ₁₆ x10' ¹³ / ₁₆ "
 Window Couplers	ST7	2	2		261mm 10' ¹ / ₄ "
 Roof Vent	WIN33			1	

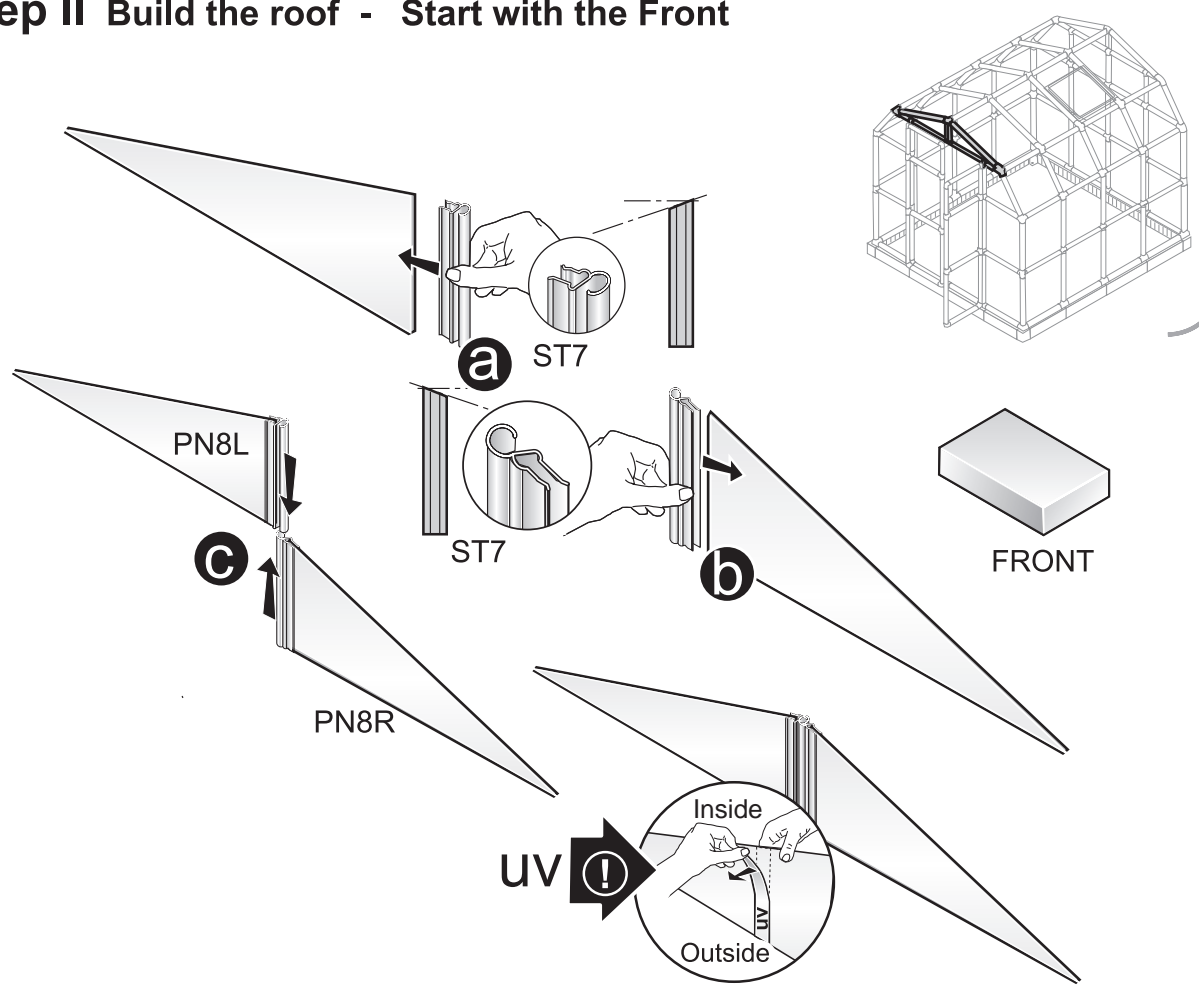
Description	Part Code	Quantity			
		Front	Back	Middle	
 Back Pediment Strengthening Bar	GSC10		2		820mm, 2'8' ¹ / ₄ "
 RA Glazing Element	RA1	1	1	2	573mm, 2'10' ⁹ / ₁₆ "
 RB Glazing Element	RB4	1	1	4	848mm, 2'9' ³ / ₈ "
	RB6	2	2		800mm, 2'7' ¹ / ₂ "
	RB1	3	3	4	520mm, 1'8' ¹ / ₂ "
 RC Glazing Element	RC5	3	3	4	955mm, 3'1' ⁵ / ₈ "
	RC1	3	3	4	666mm, 2'2' ¹ / ₄ "
	RC3	1	1	2	580mm, 1'10' ¹³ / ₁₆ "
 RD Glazing Element	RD1	4	4	8	569mm, 1'10' ³ / ₈ "
 P. louvered				1	
 WDS	WDS	2		1	
 Soft foam	SF	1	1	1	
 Flexible glazing	GF	1	1	1	
 Door sealer	DSN	1			

Parts list

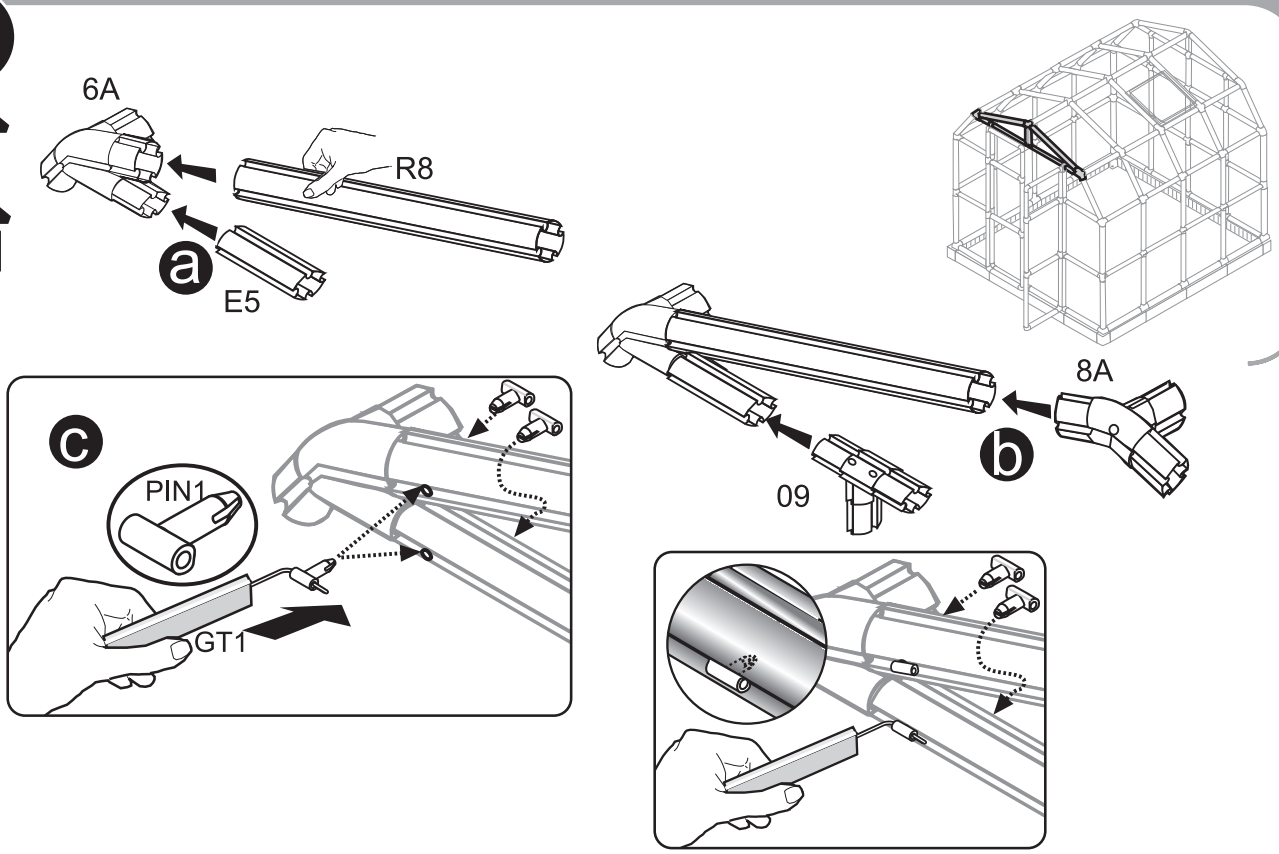
Description	Part Code	Quantity		
		Front	Back	Middle
SUPP1 Roof Reinforcement Kit (Packets)				
  Hook1		1		Top Catch
  Cab40				Cable
 AW5				Allen Wrench
  AS70				Cable Screw

Description	Part Code	Quantity		
		Front	Back	Middle
 Hinge Kit	Hinge kit	1		
 Bar Kit	Bar Kit	1		
 Connector Pin GT1	Pin 1+GT1 220pcs	1	1	
 Connector Pin	Pin 1 160pcs			1
 EGH Screw kit	Screw kit	1		
 Supp 2 (kit)				2
 Supp 1 (kit)		1		

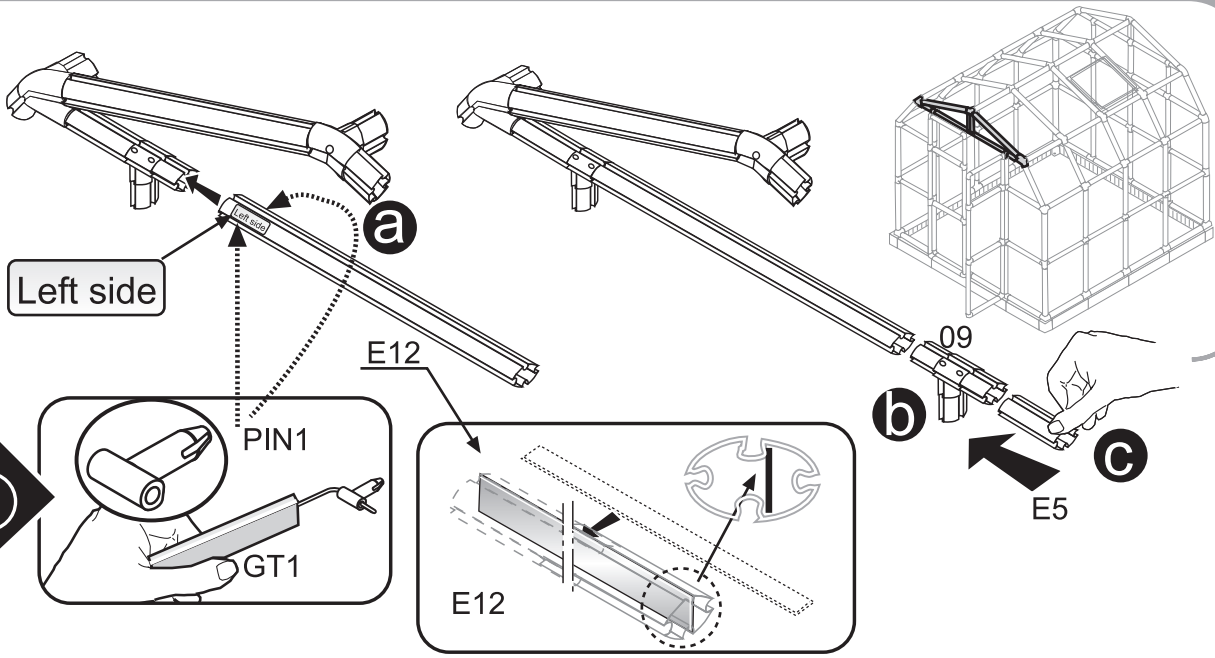
1 Step II Build the roof - Start with the Front



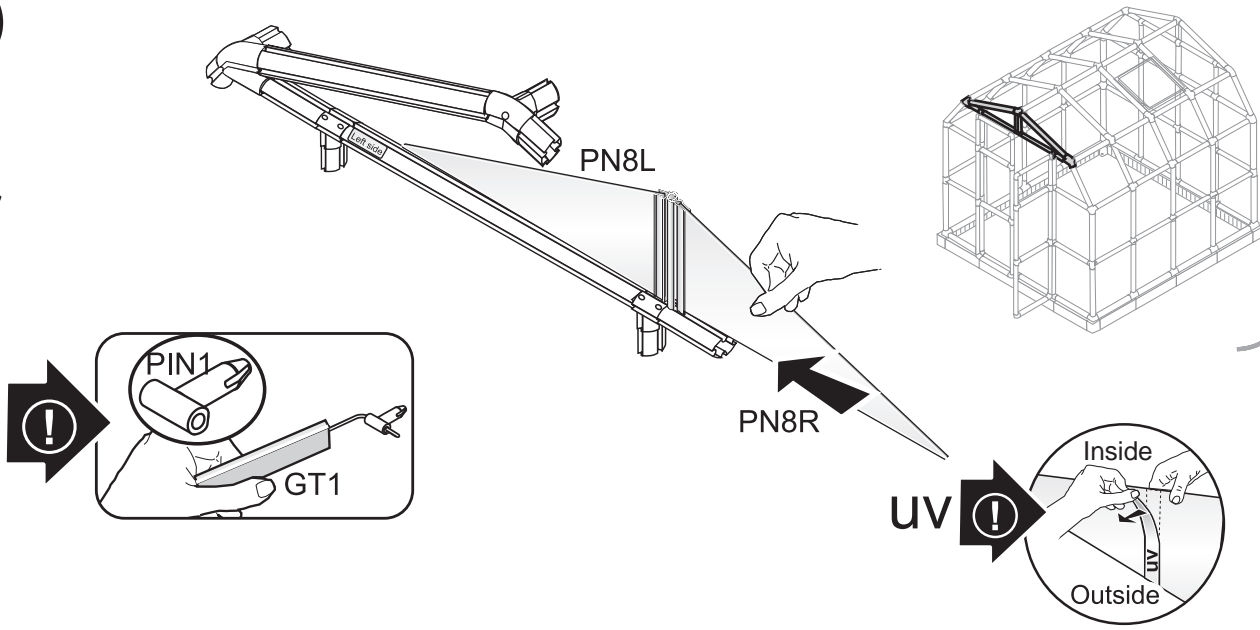
2



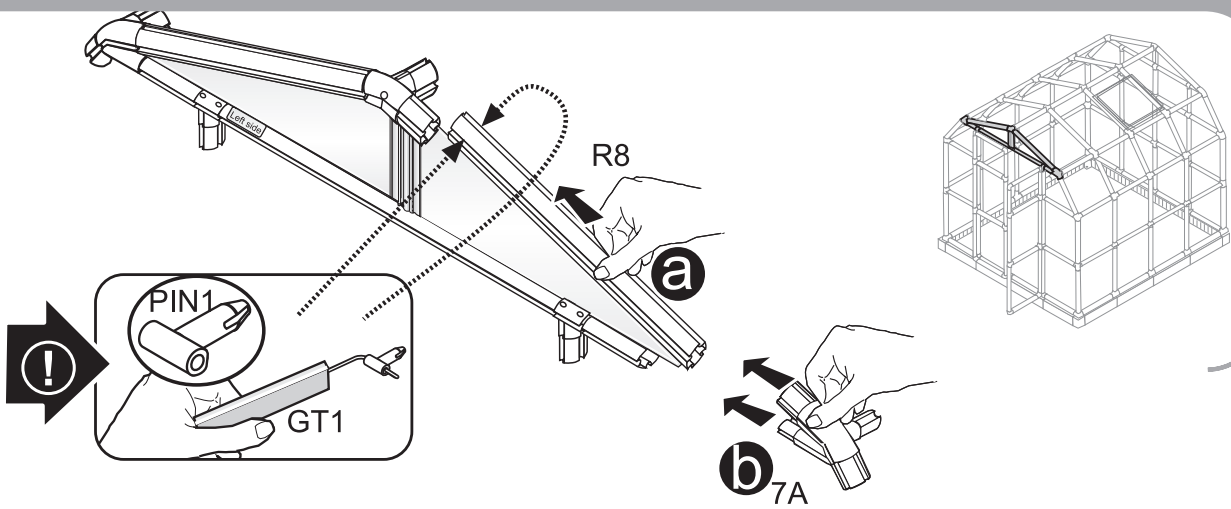
3



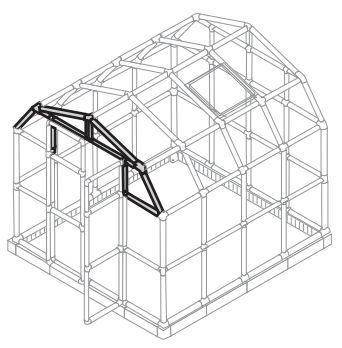
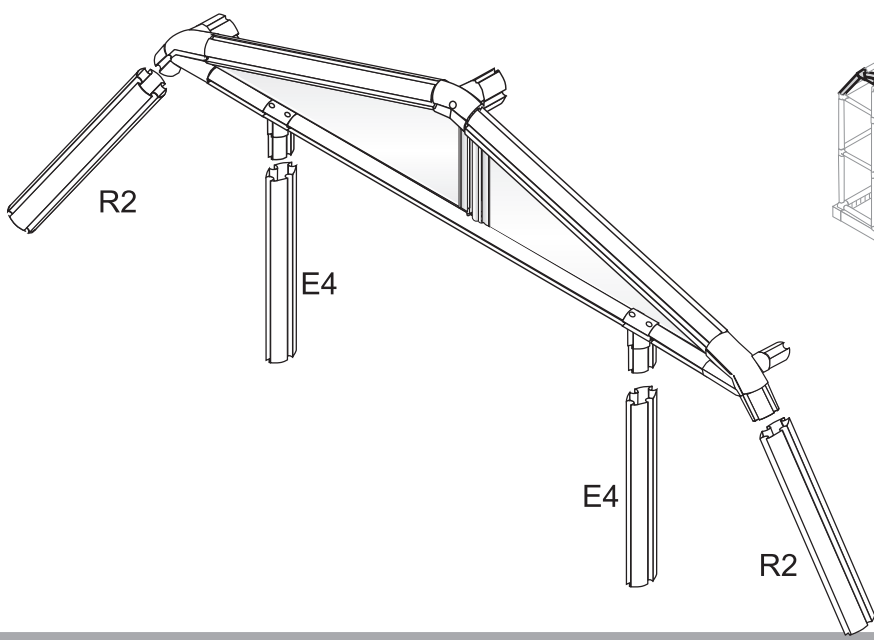
4



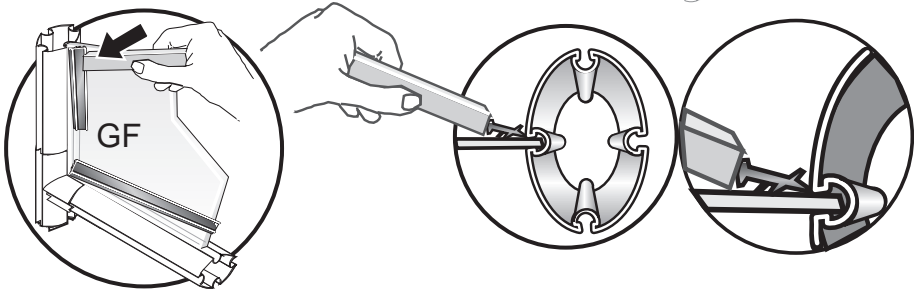
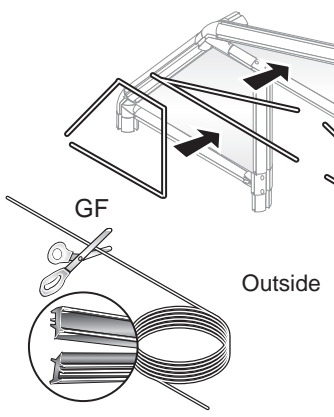
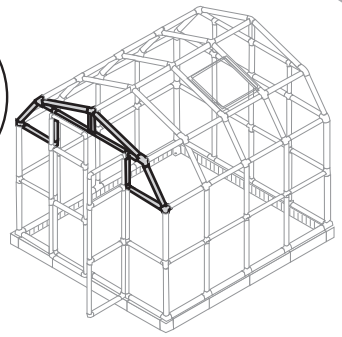
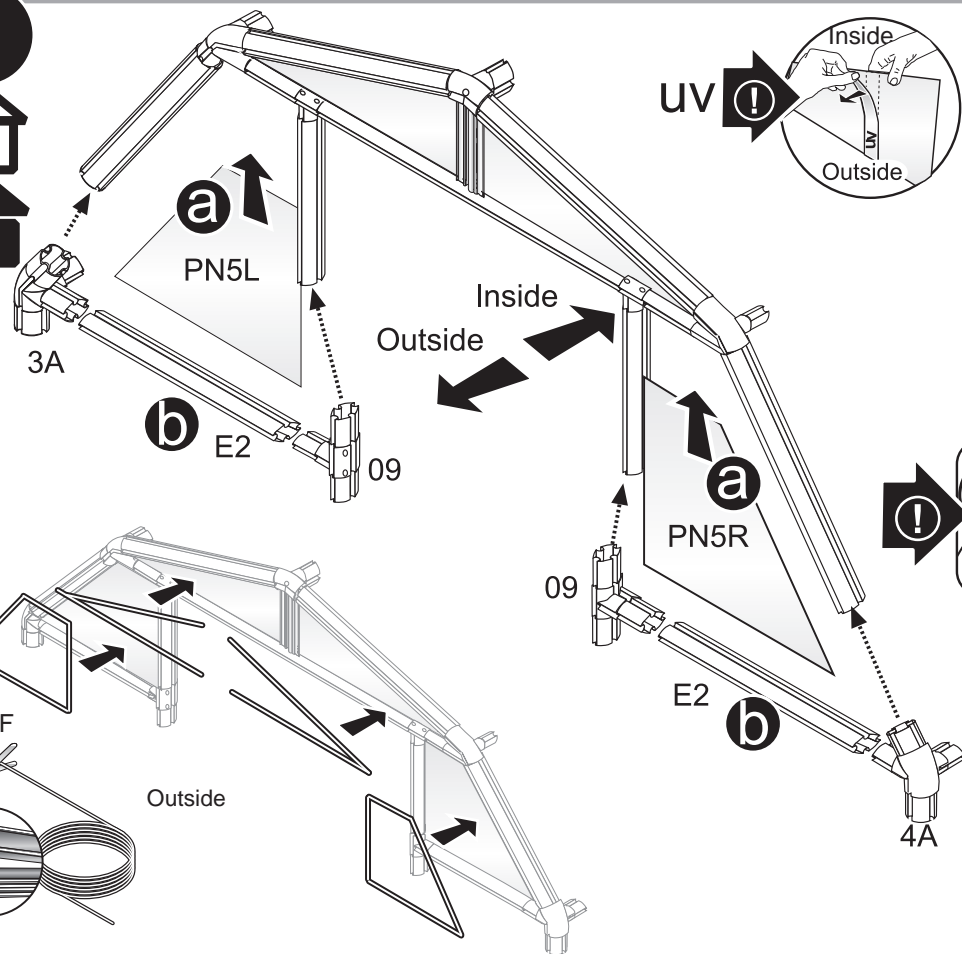
5



6

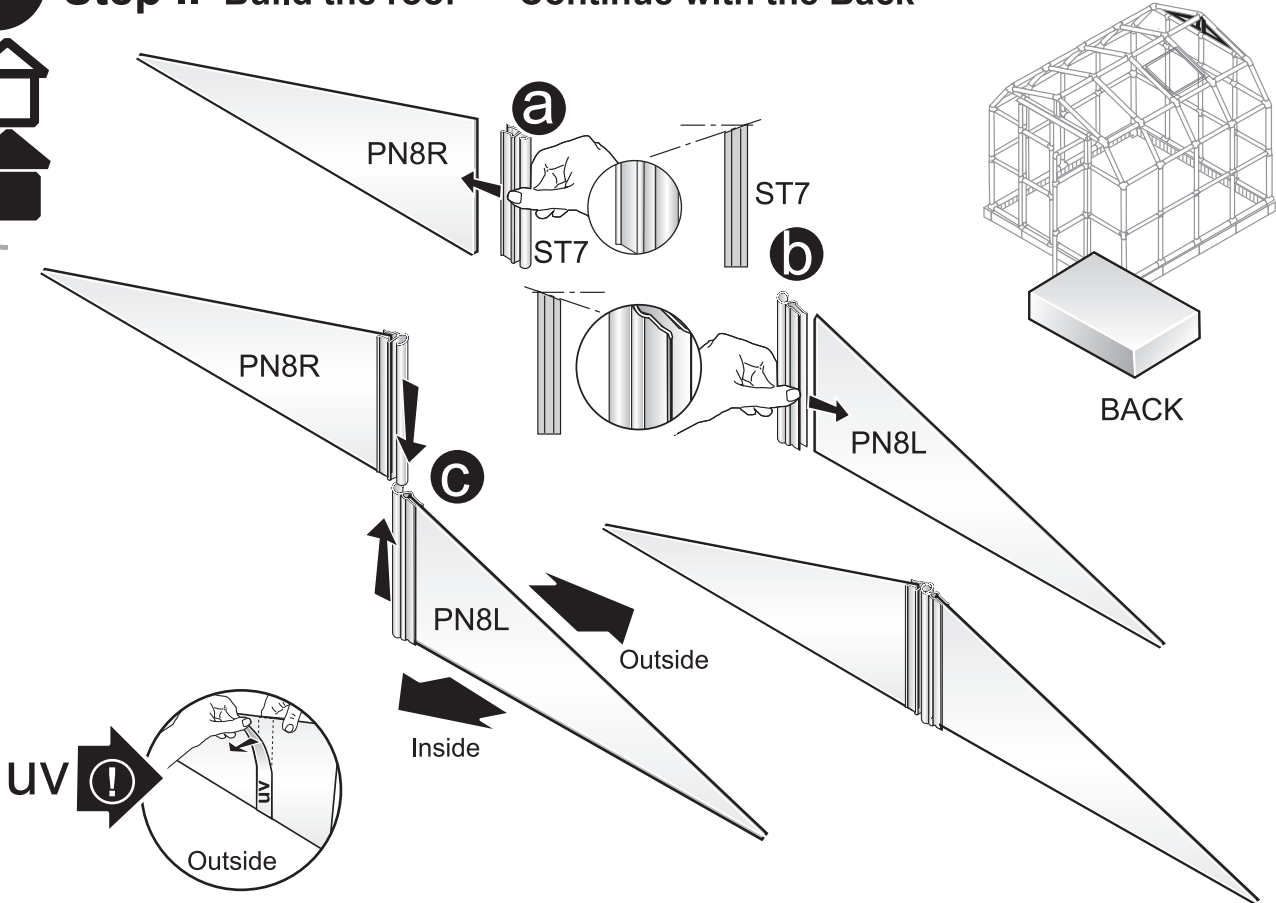



7

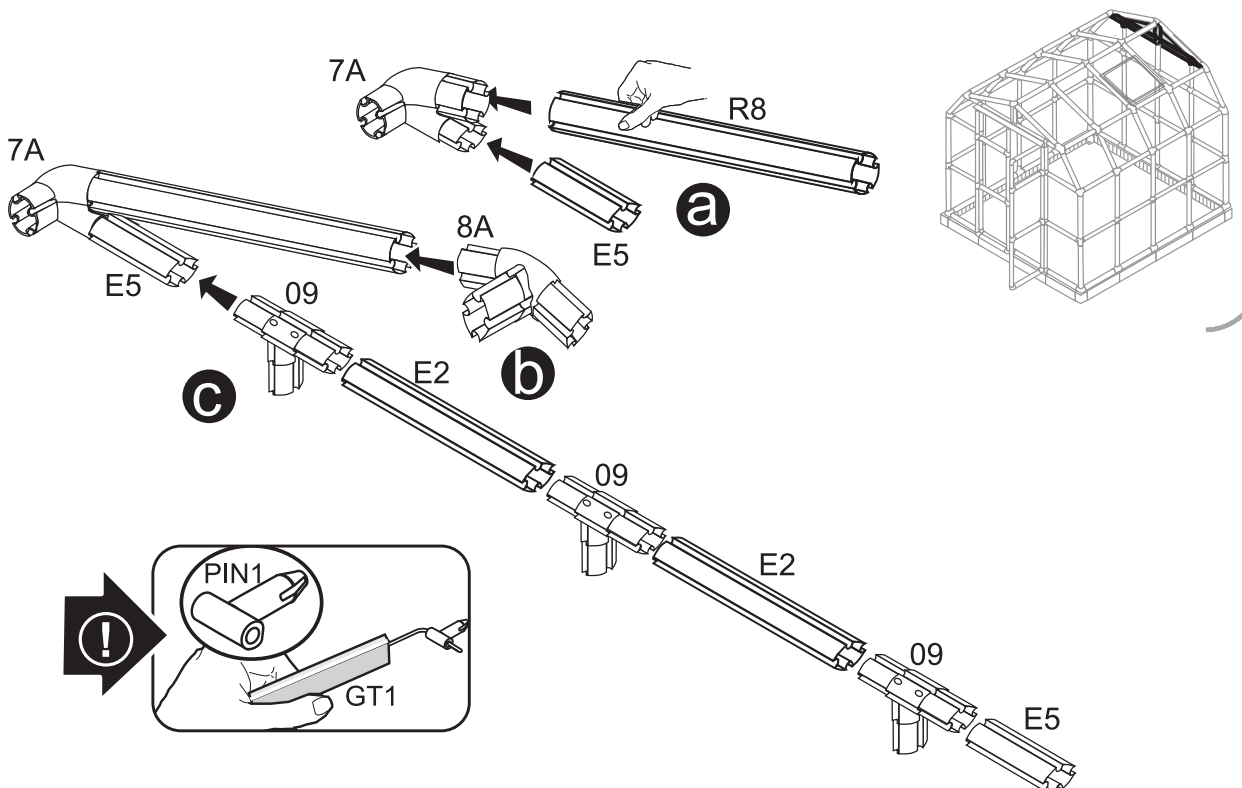



8

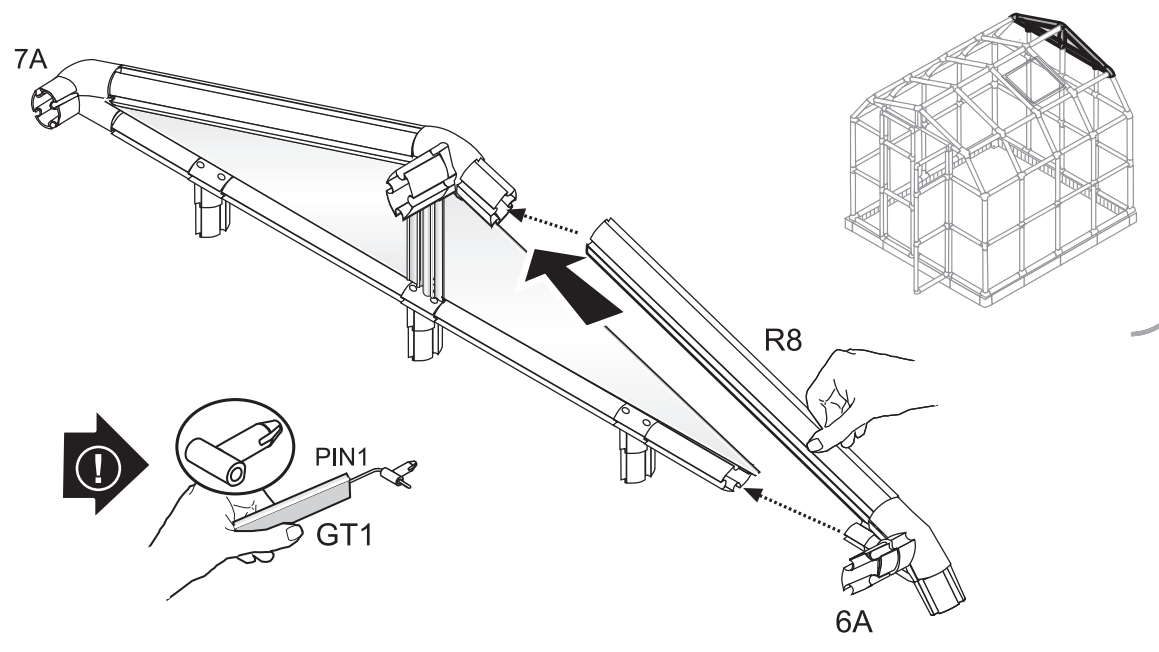
Step II Build the roof - Continue with the Back



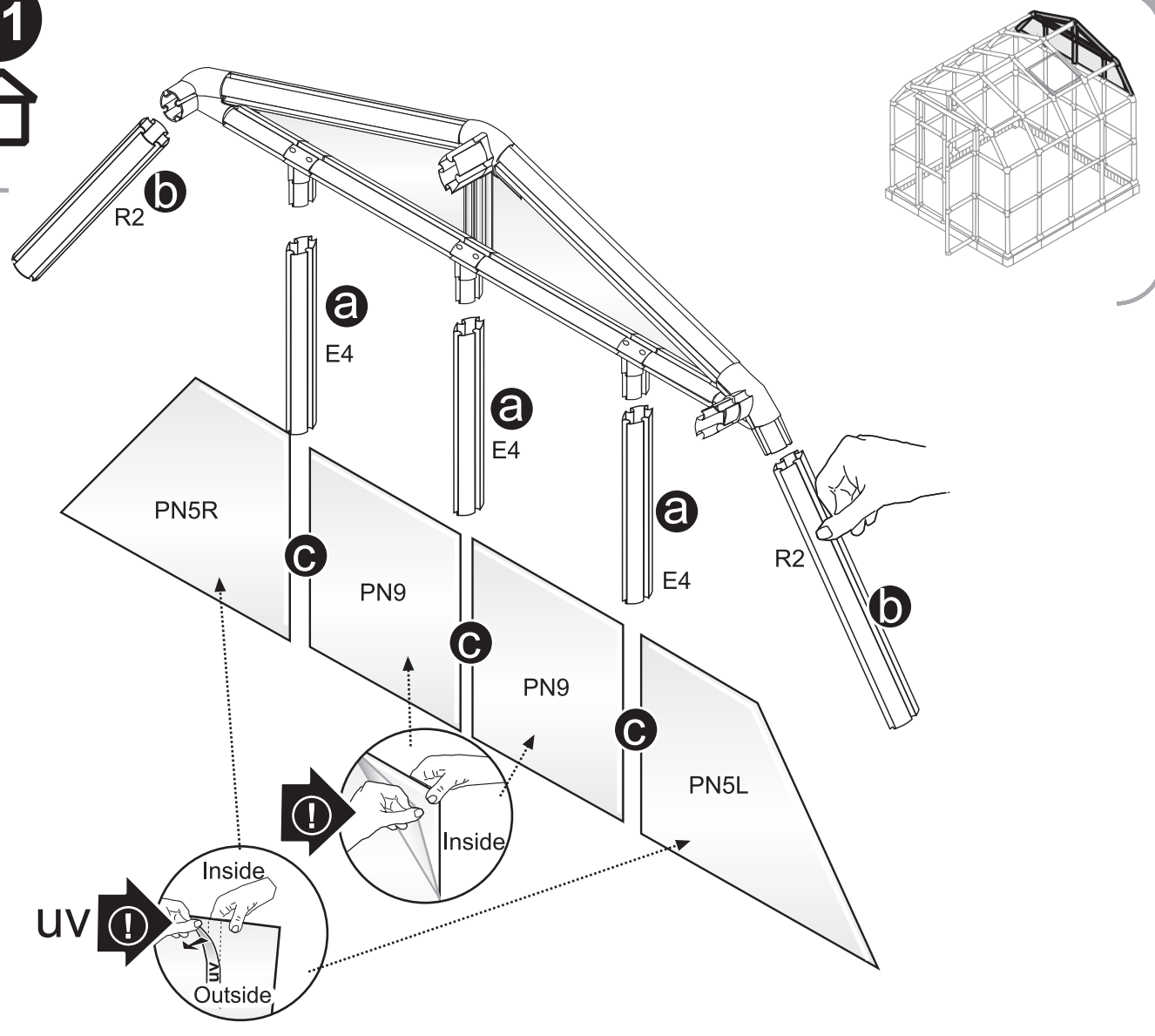
9



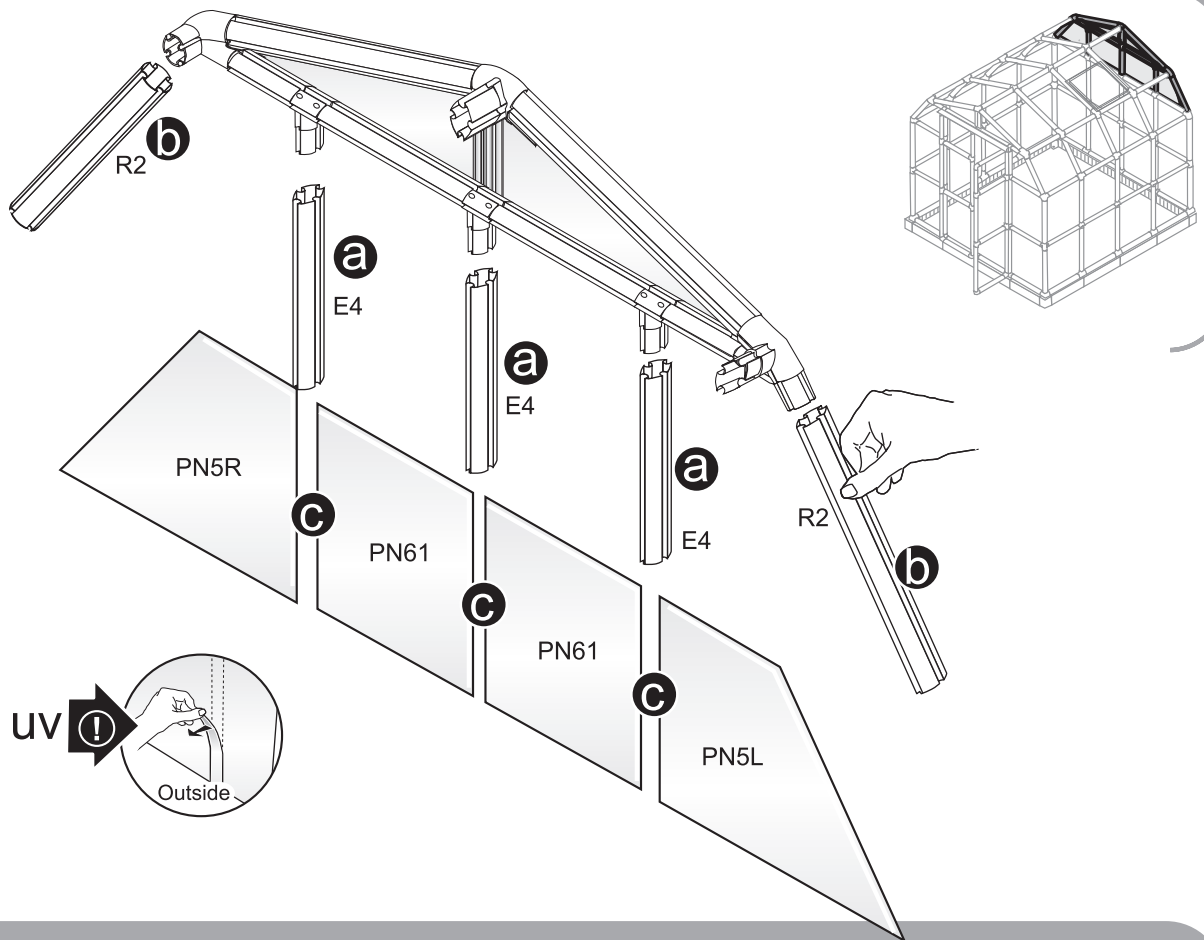
10

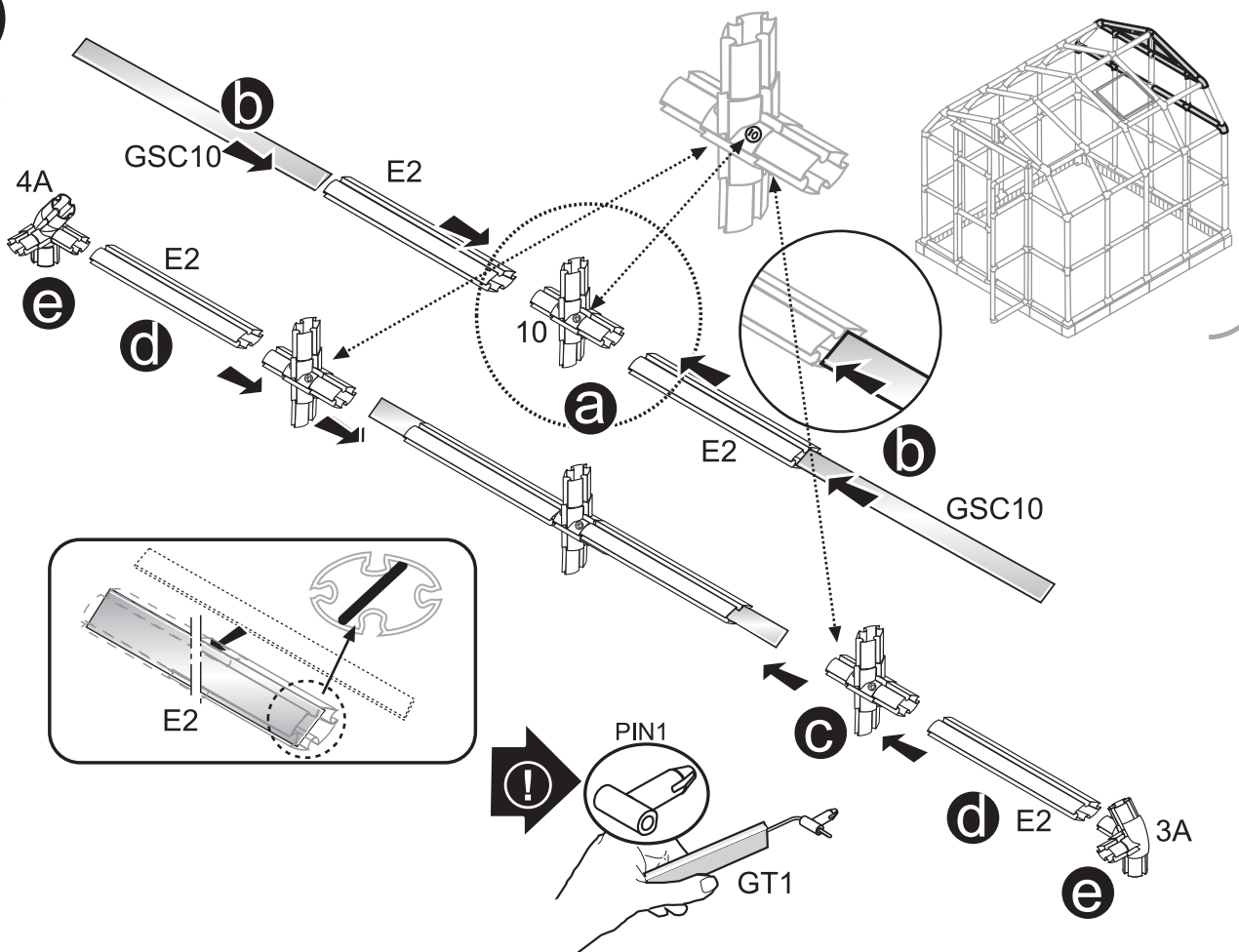
11

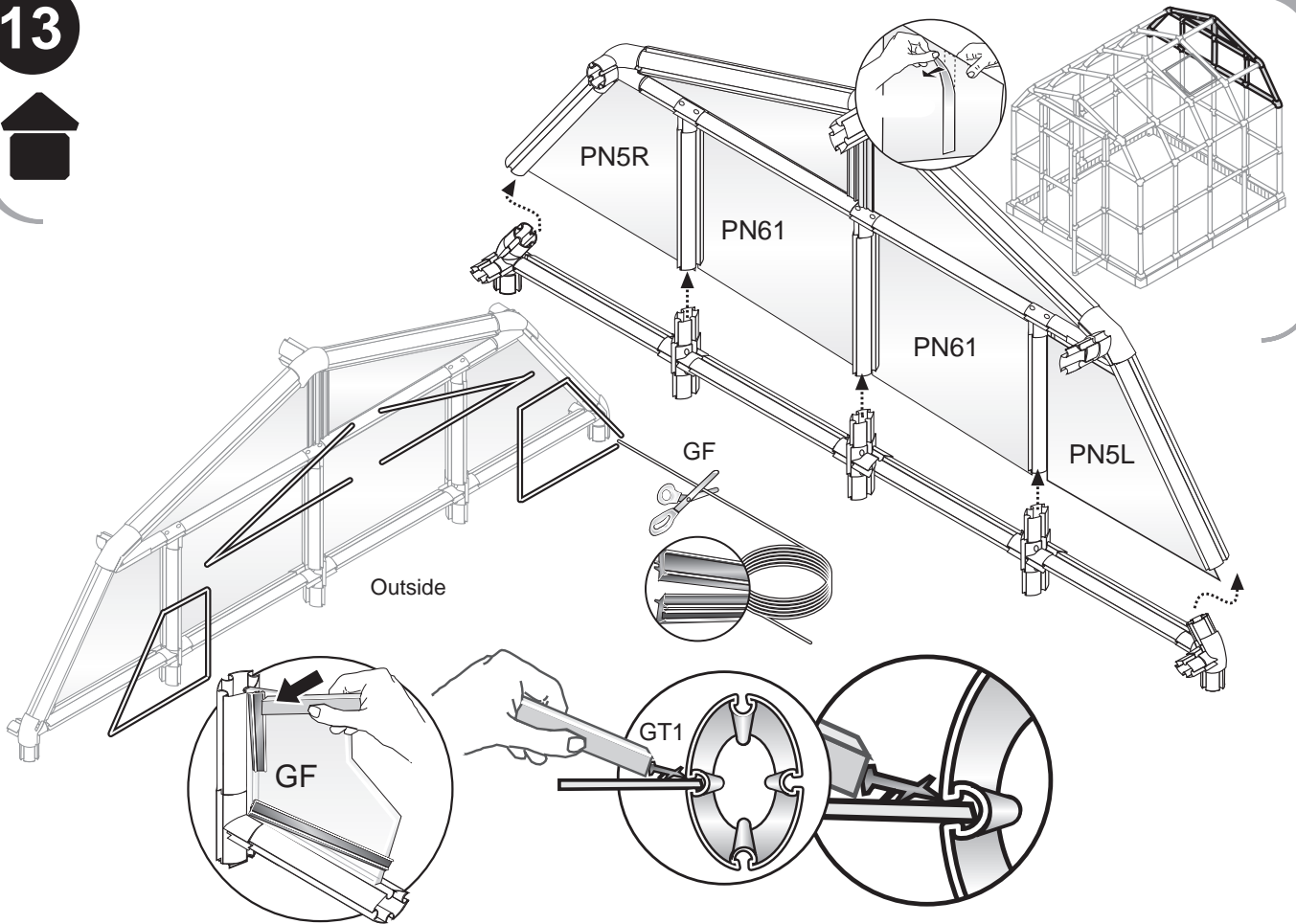
11



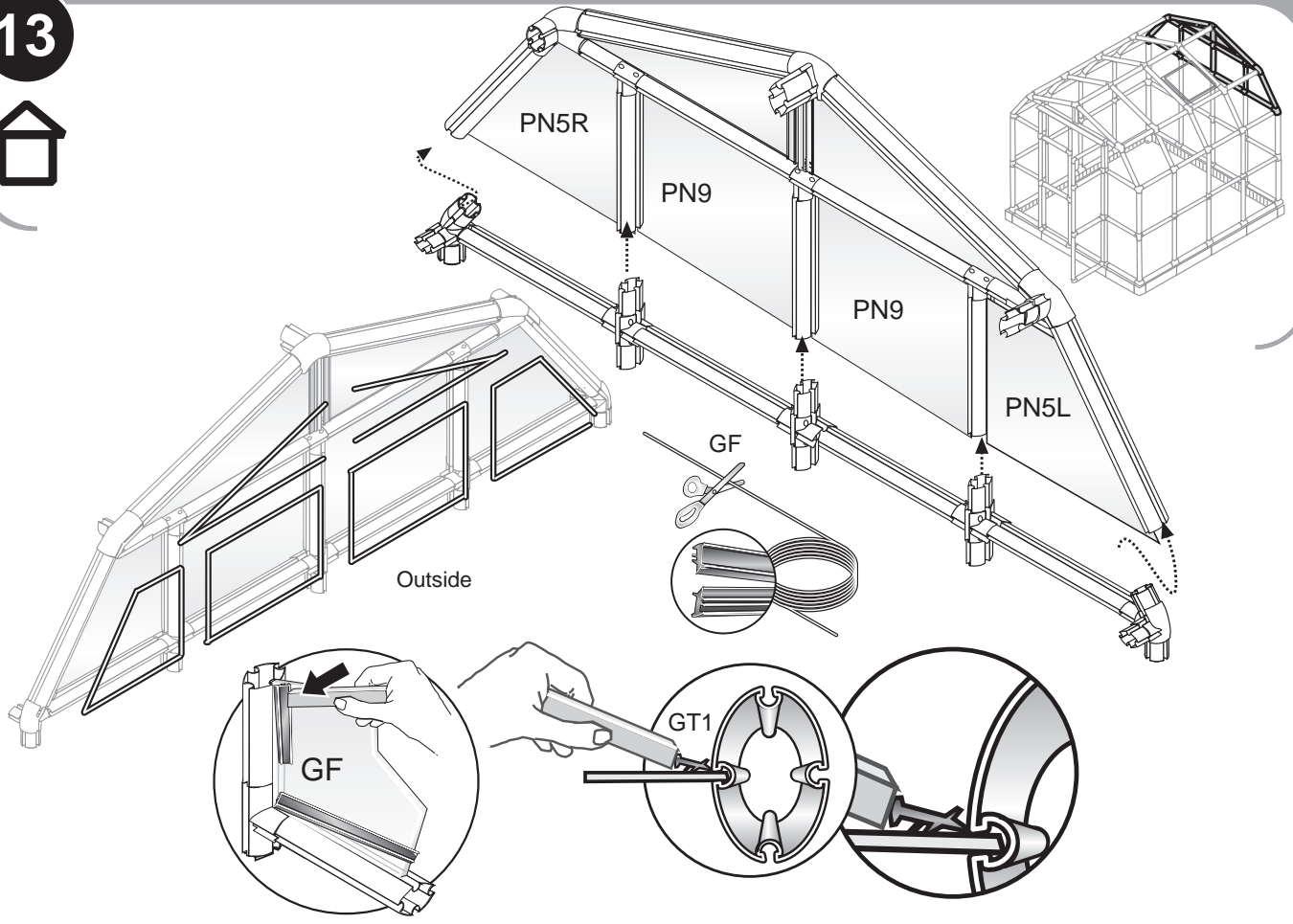
12



13

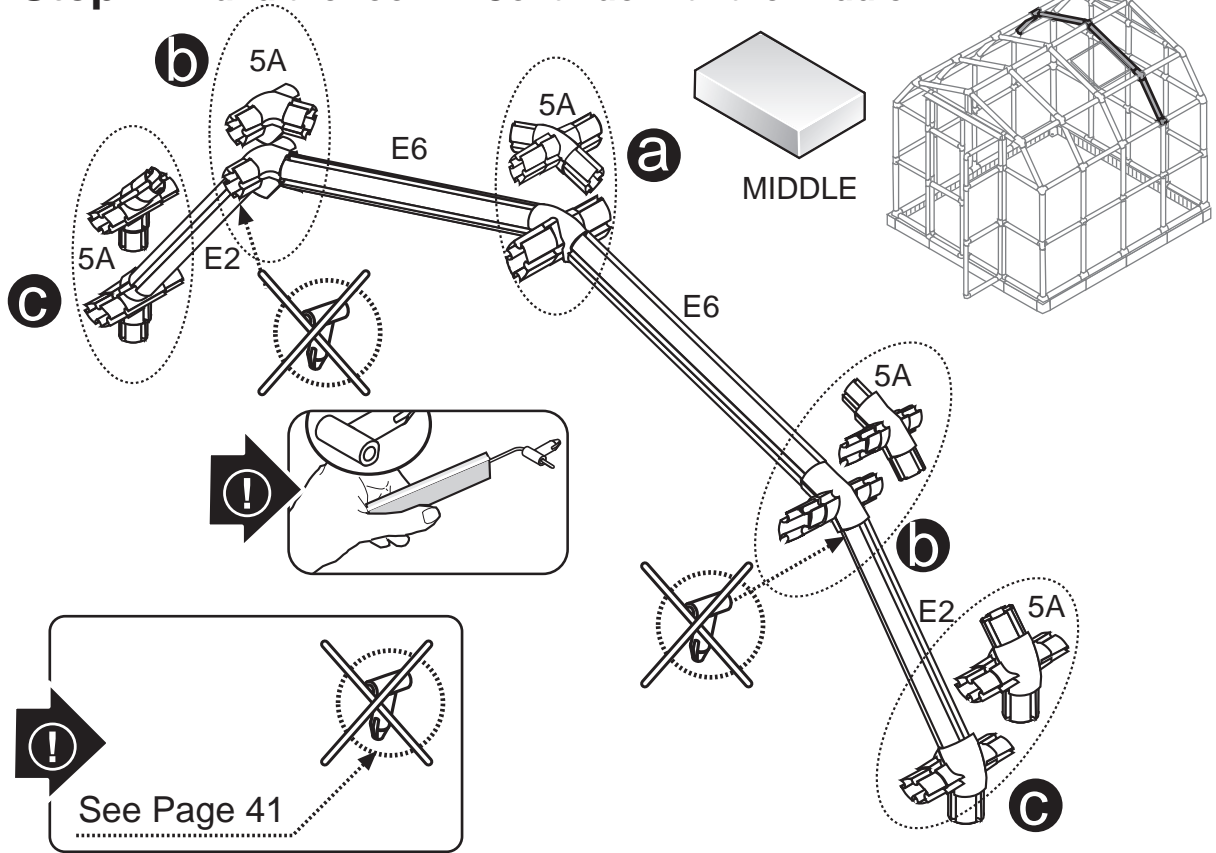


13

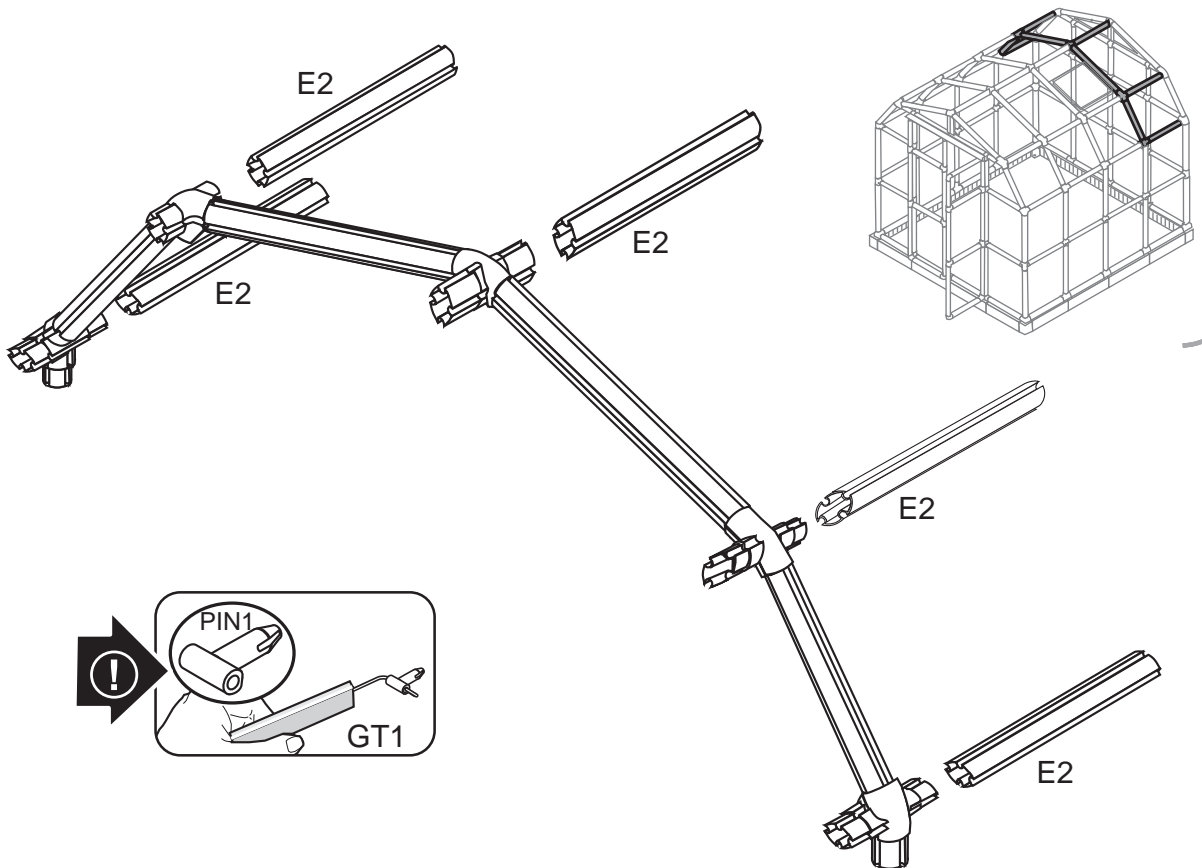


14

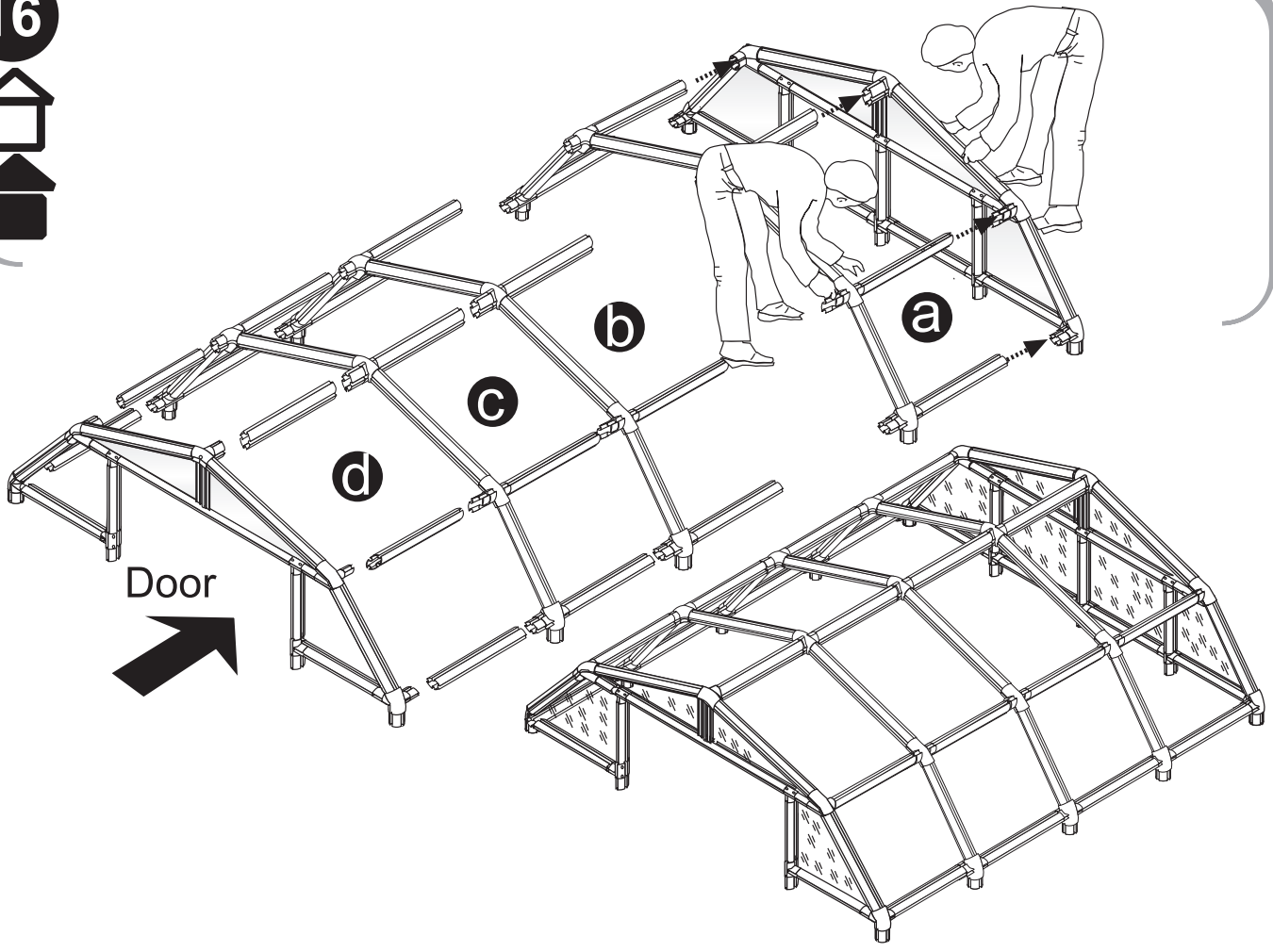
Step II Build the roof - Continue with the Middle



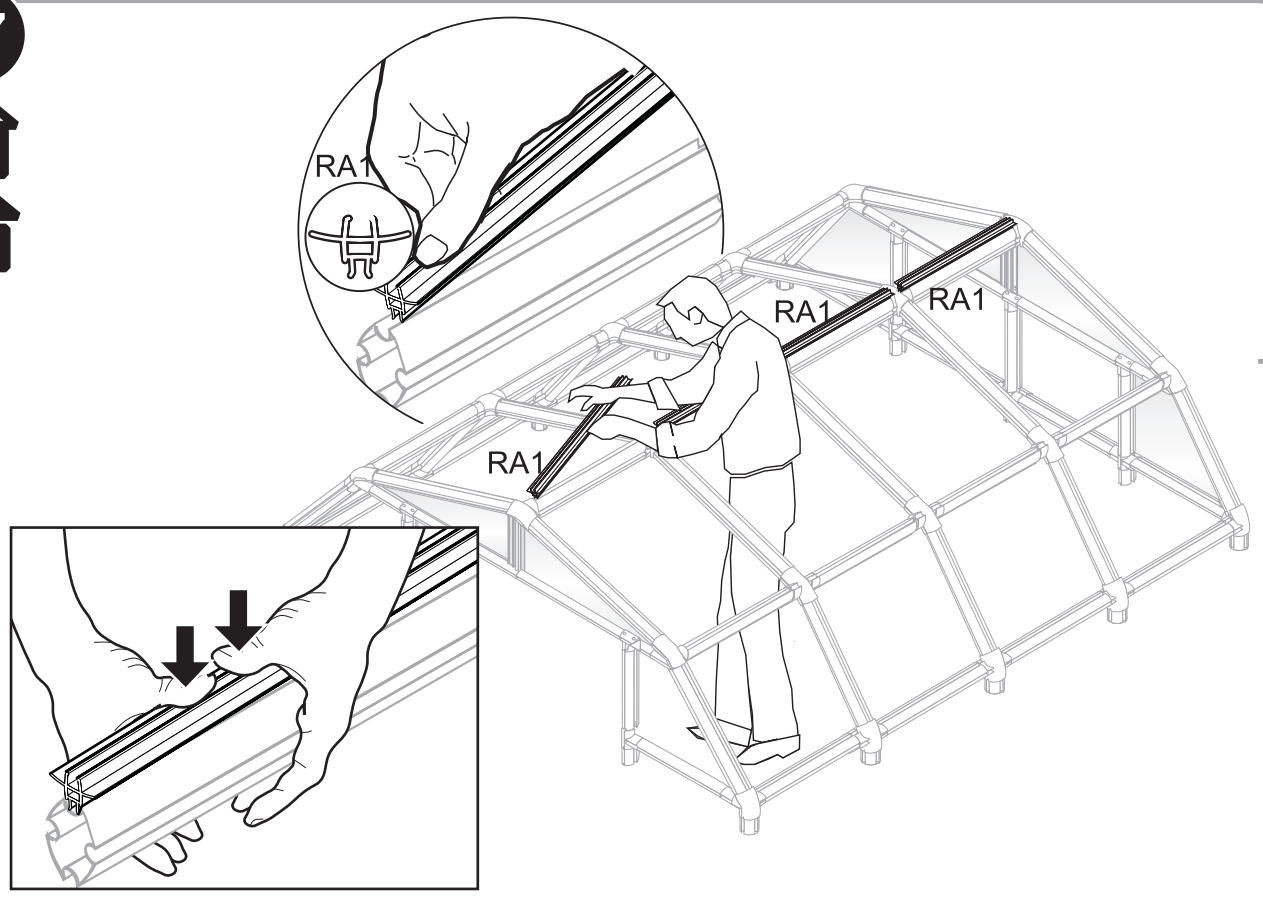
15



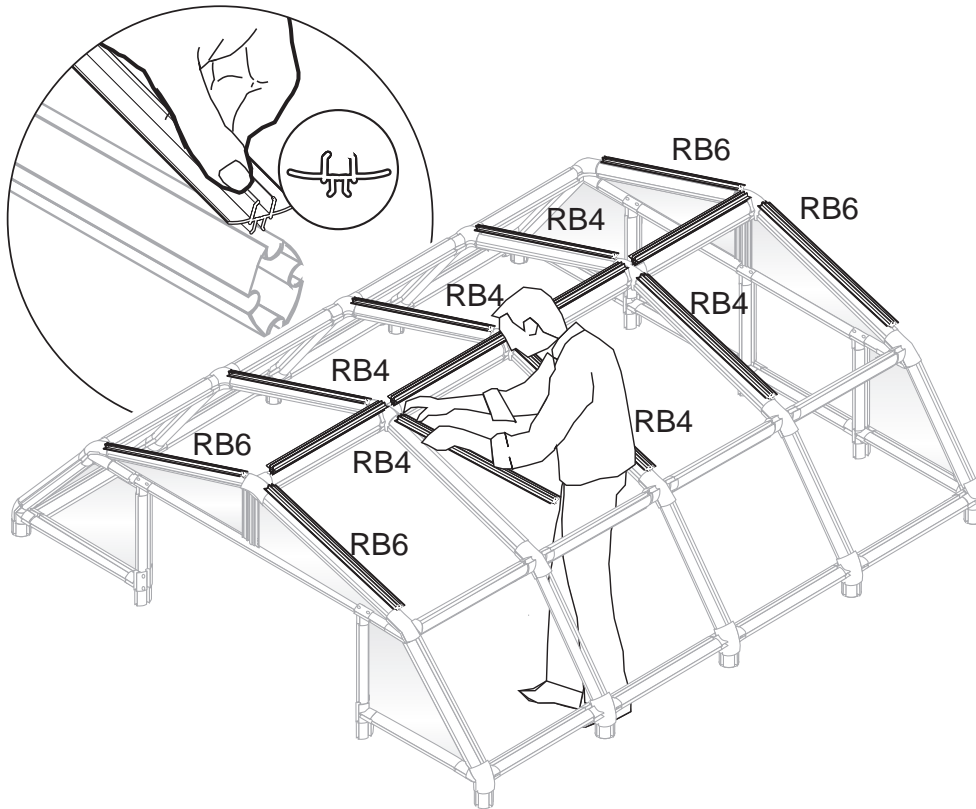
16



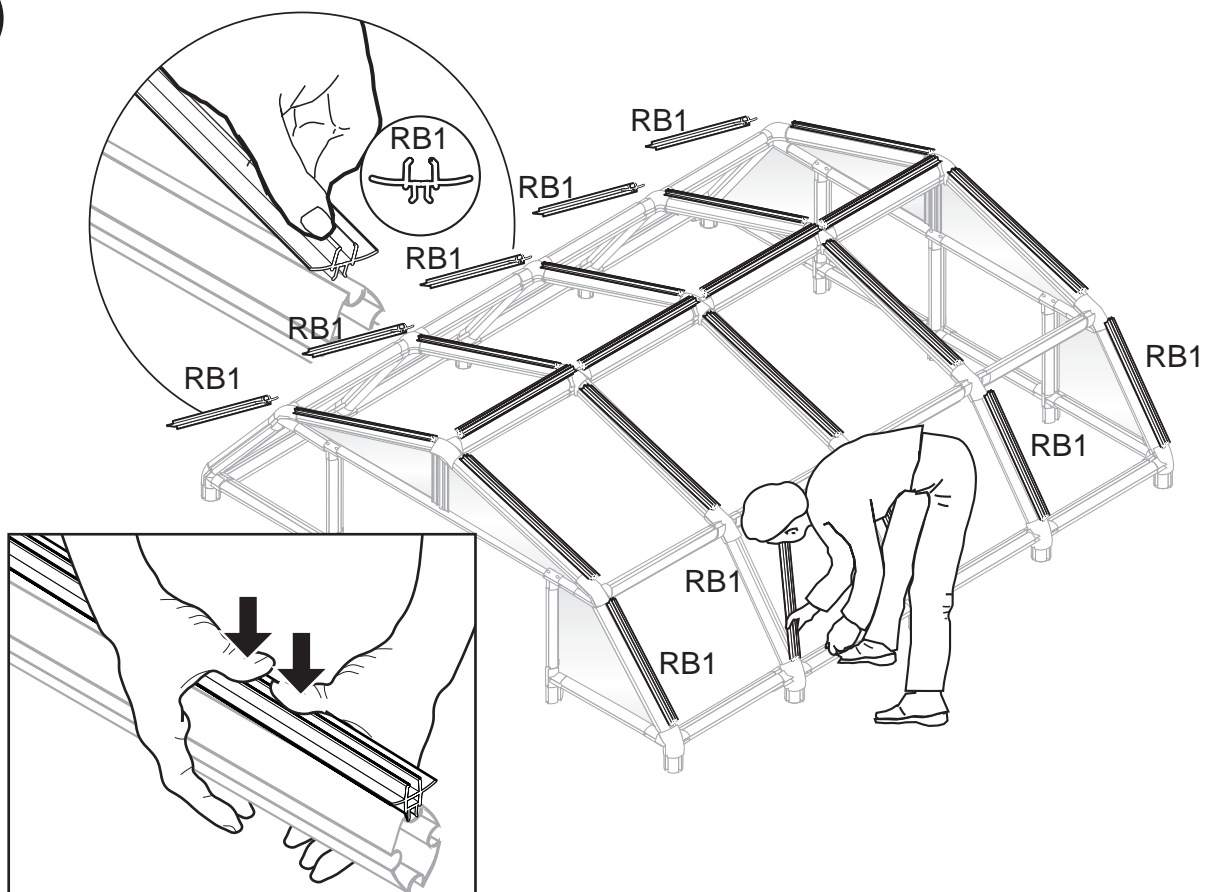
17



18

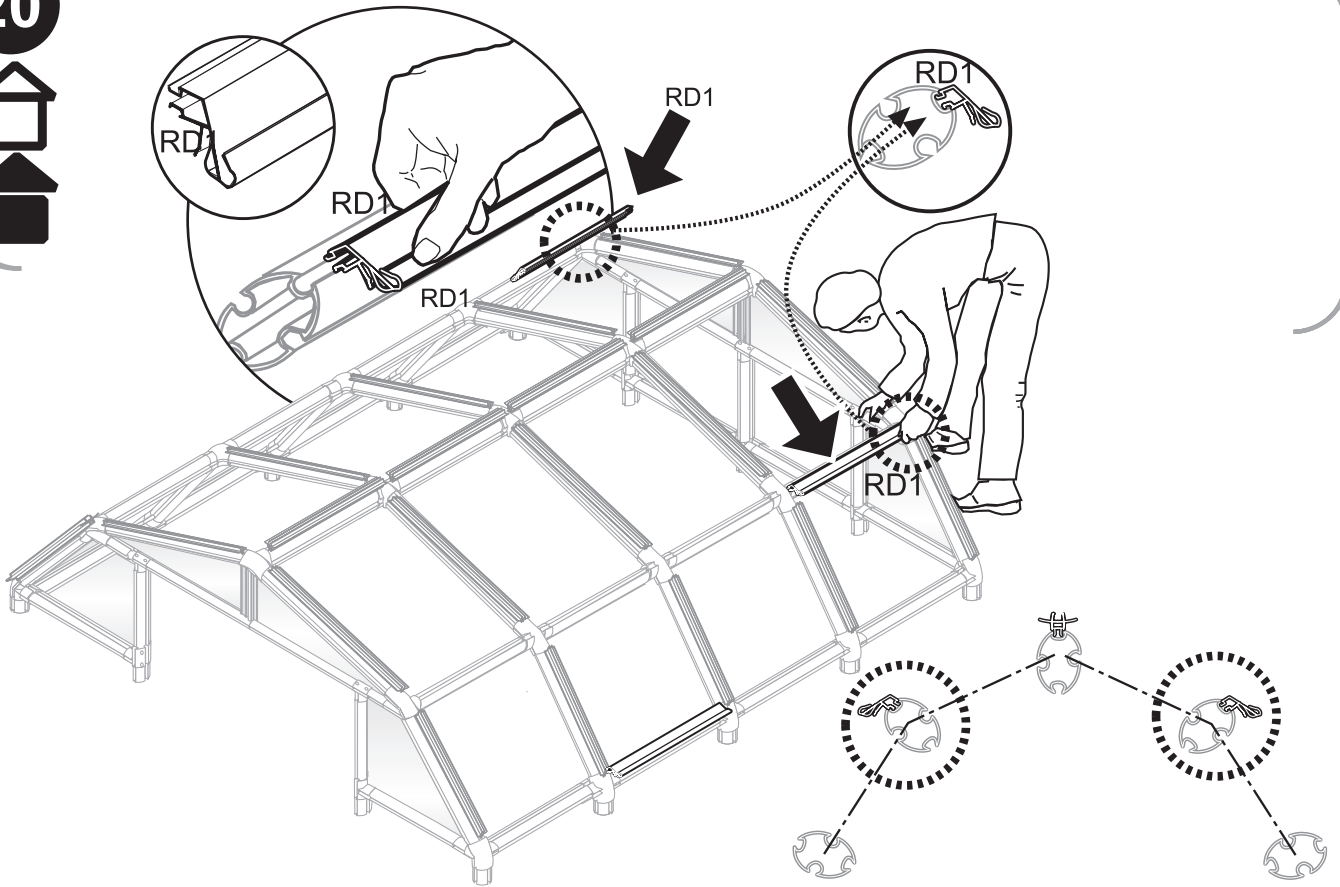


19

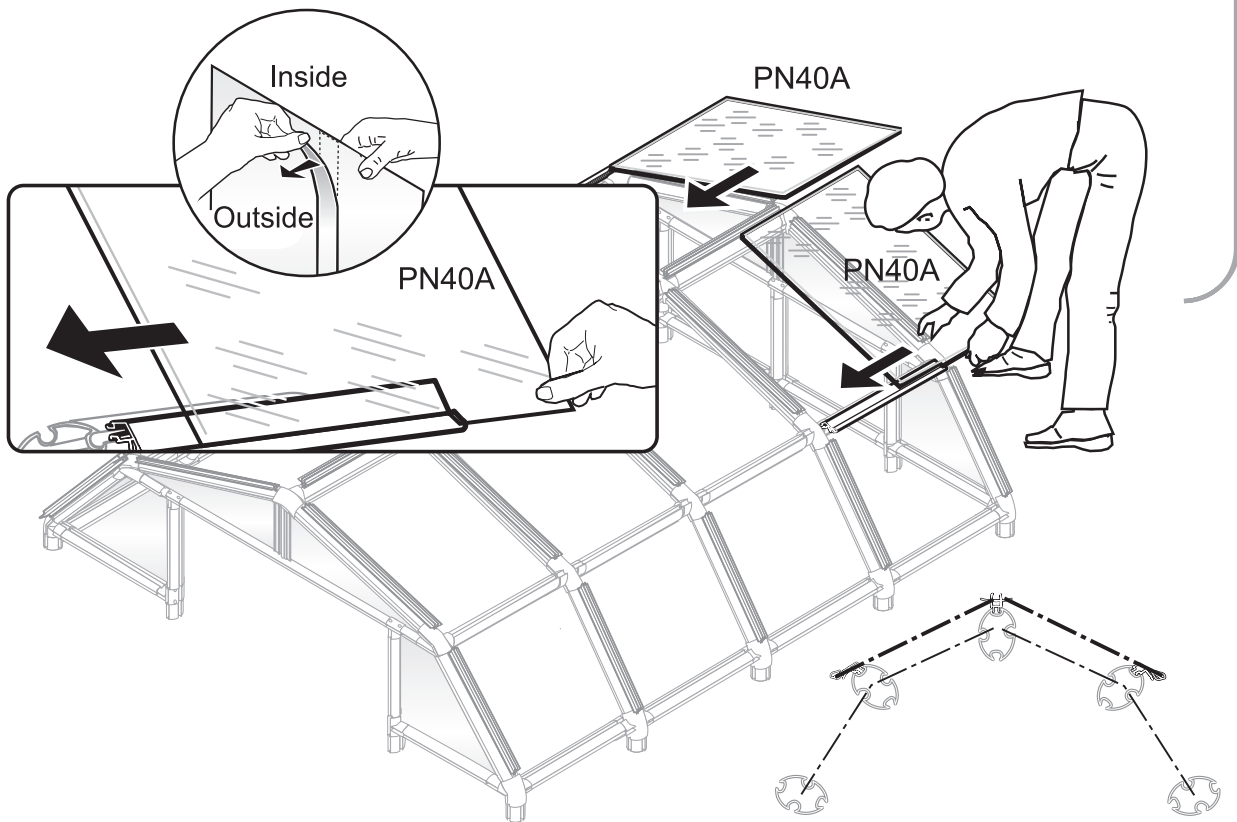


1. You may find some parts easier to assembly if you moisten them with soapy water .
2. Caution: extra efforts while inserting the profile might needed in order to keep the profile in its place for the greenhouse's life

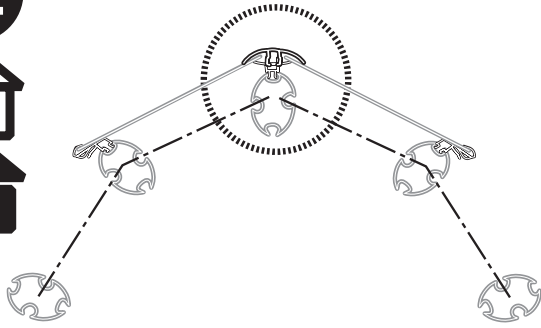
20



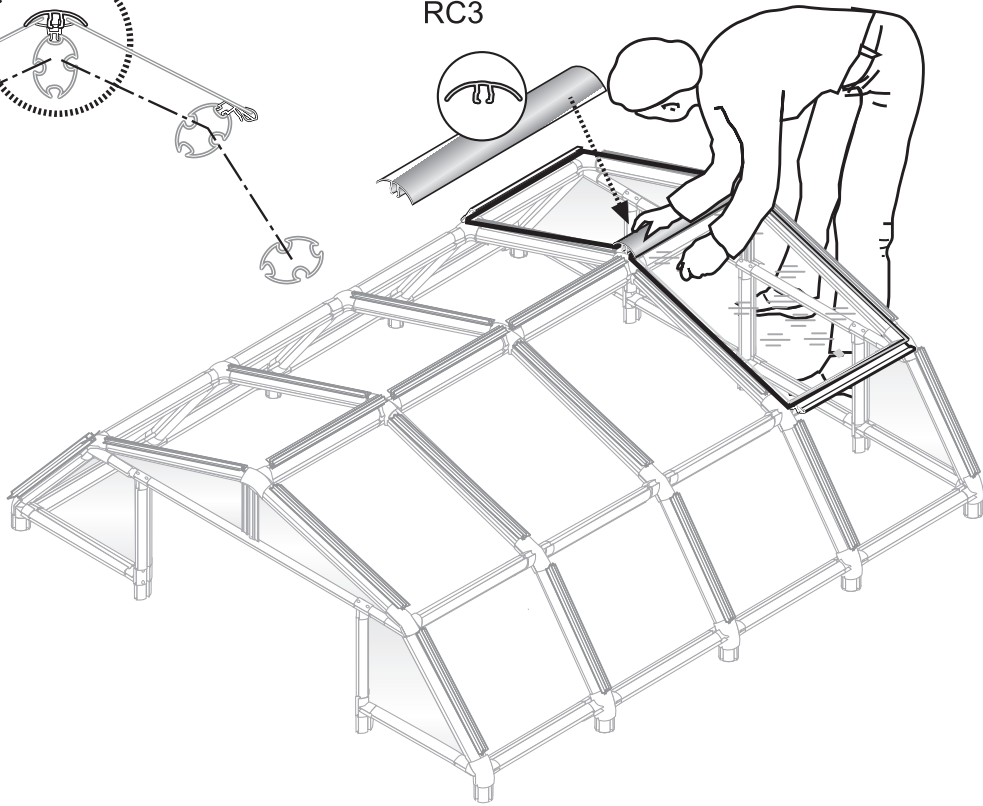
21



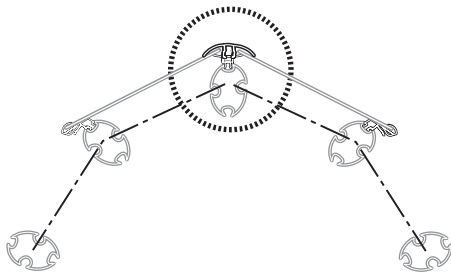
22



RC3



23

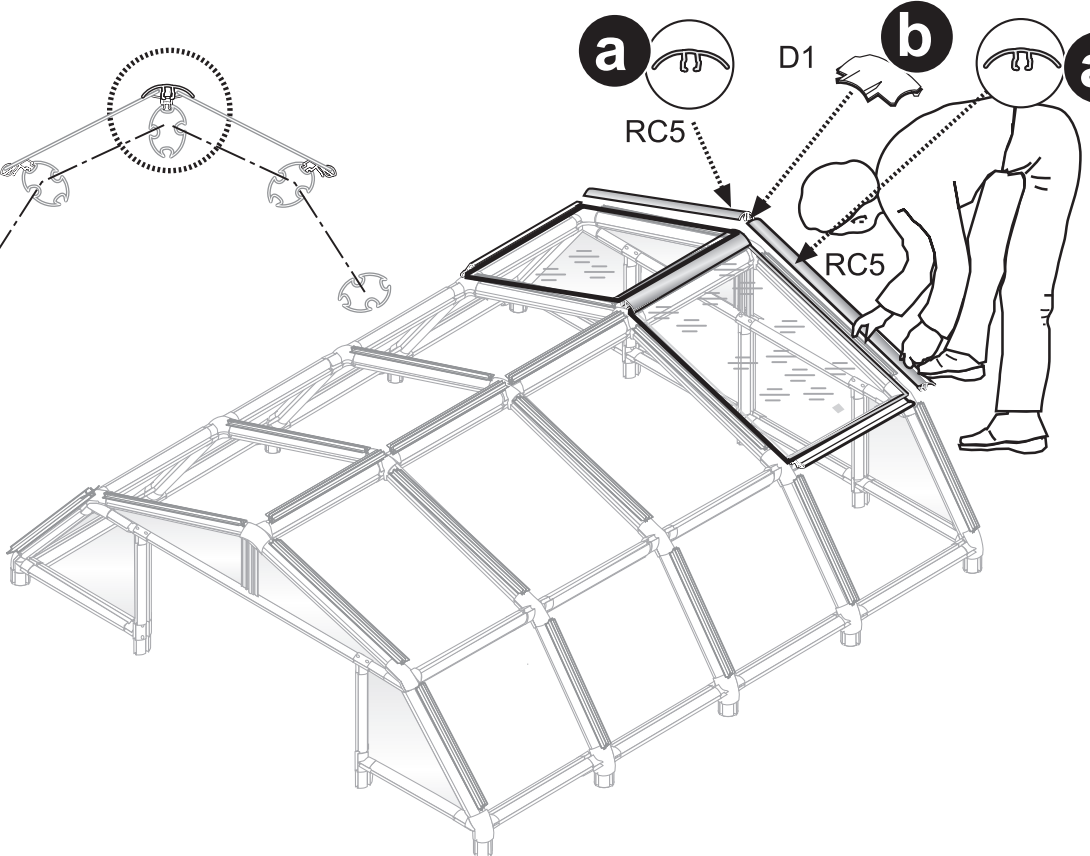


D1

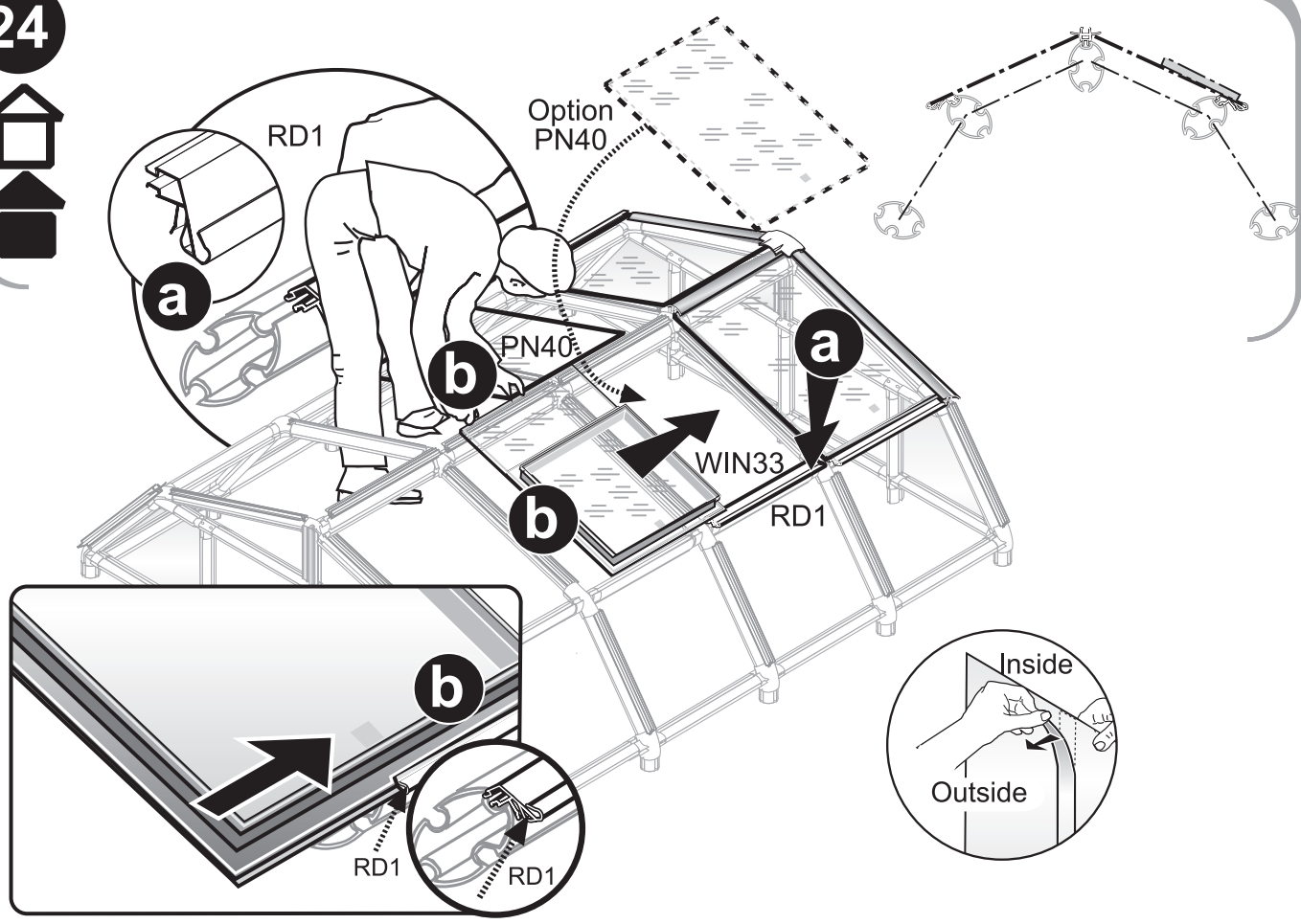


RC5

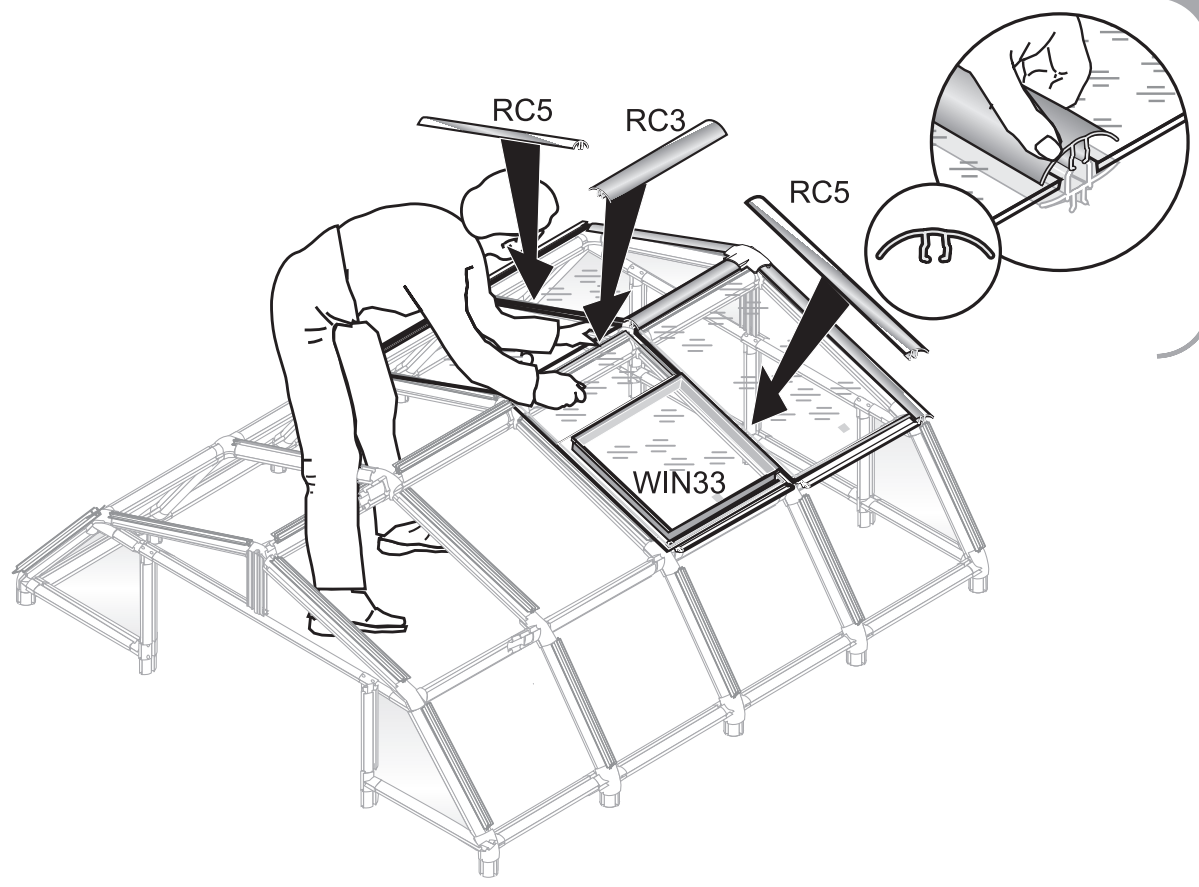
RC5



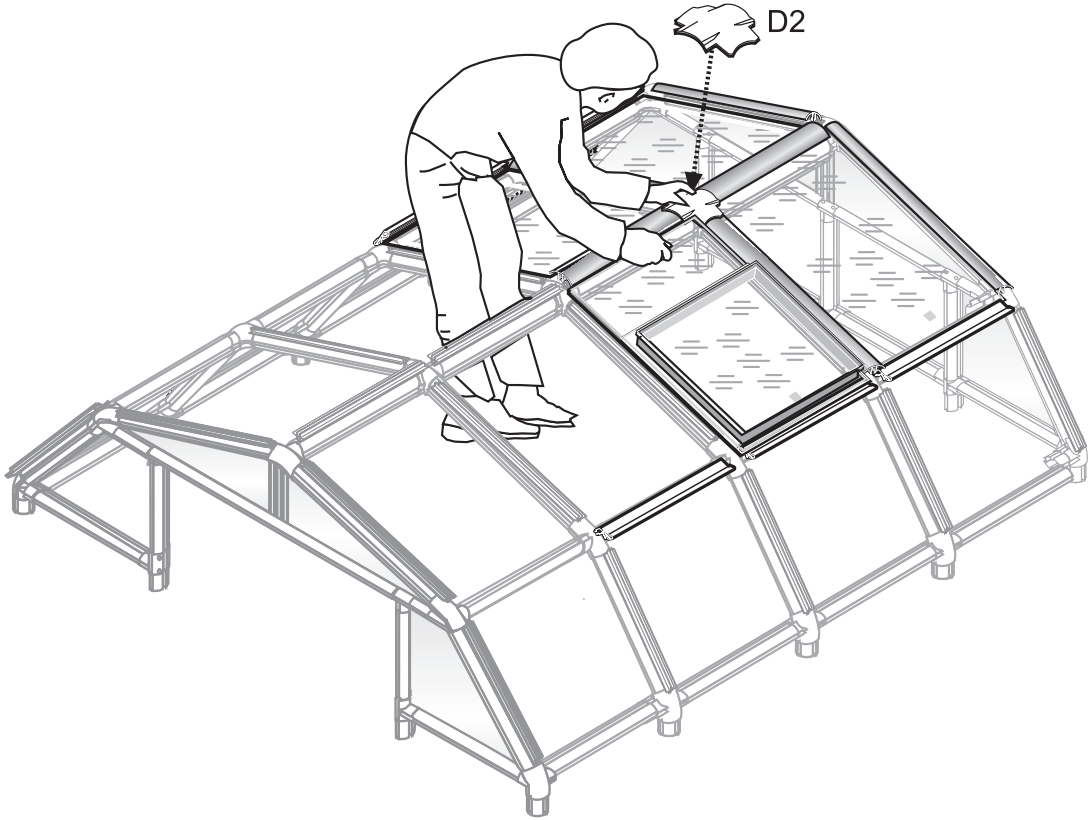
24



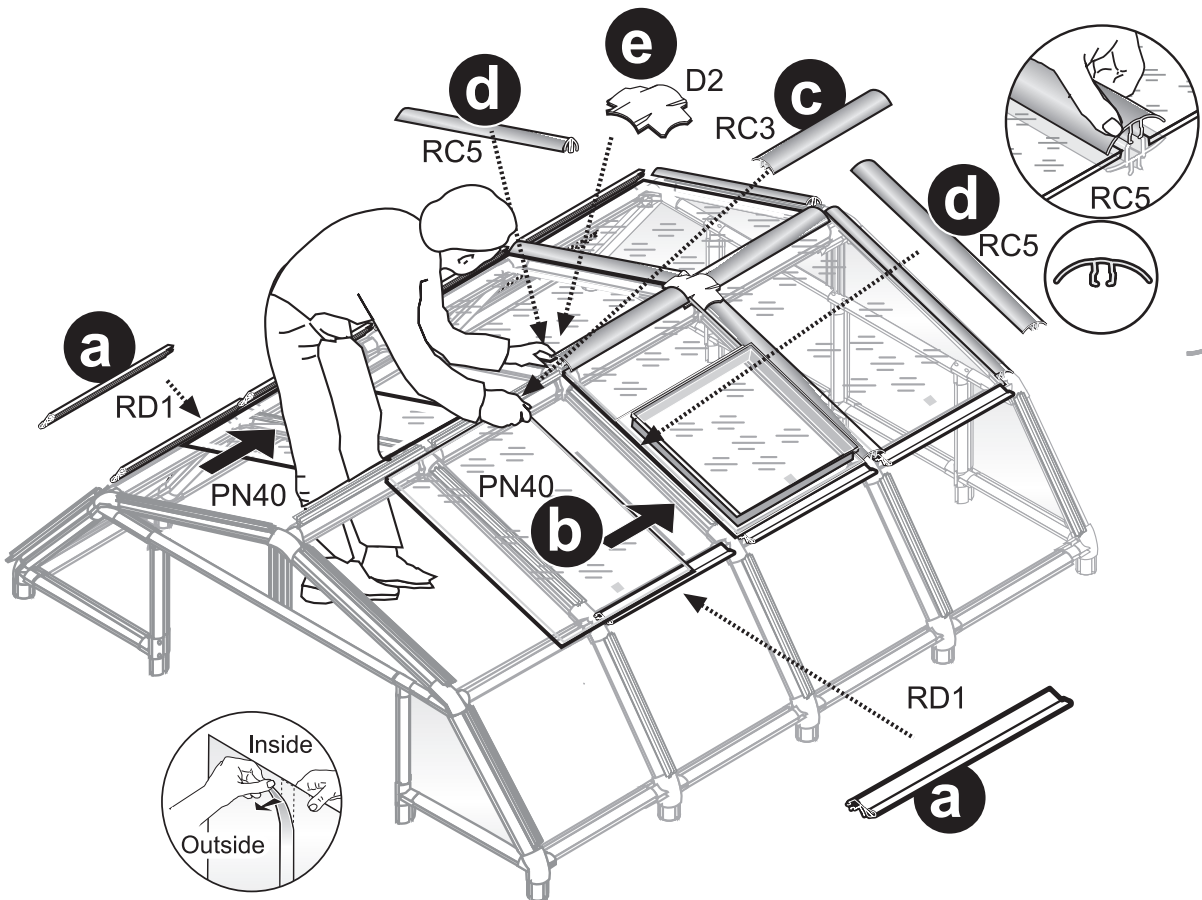
25



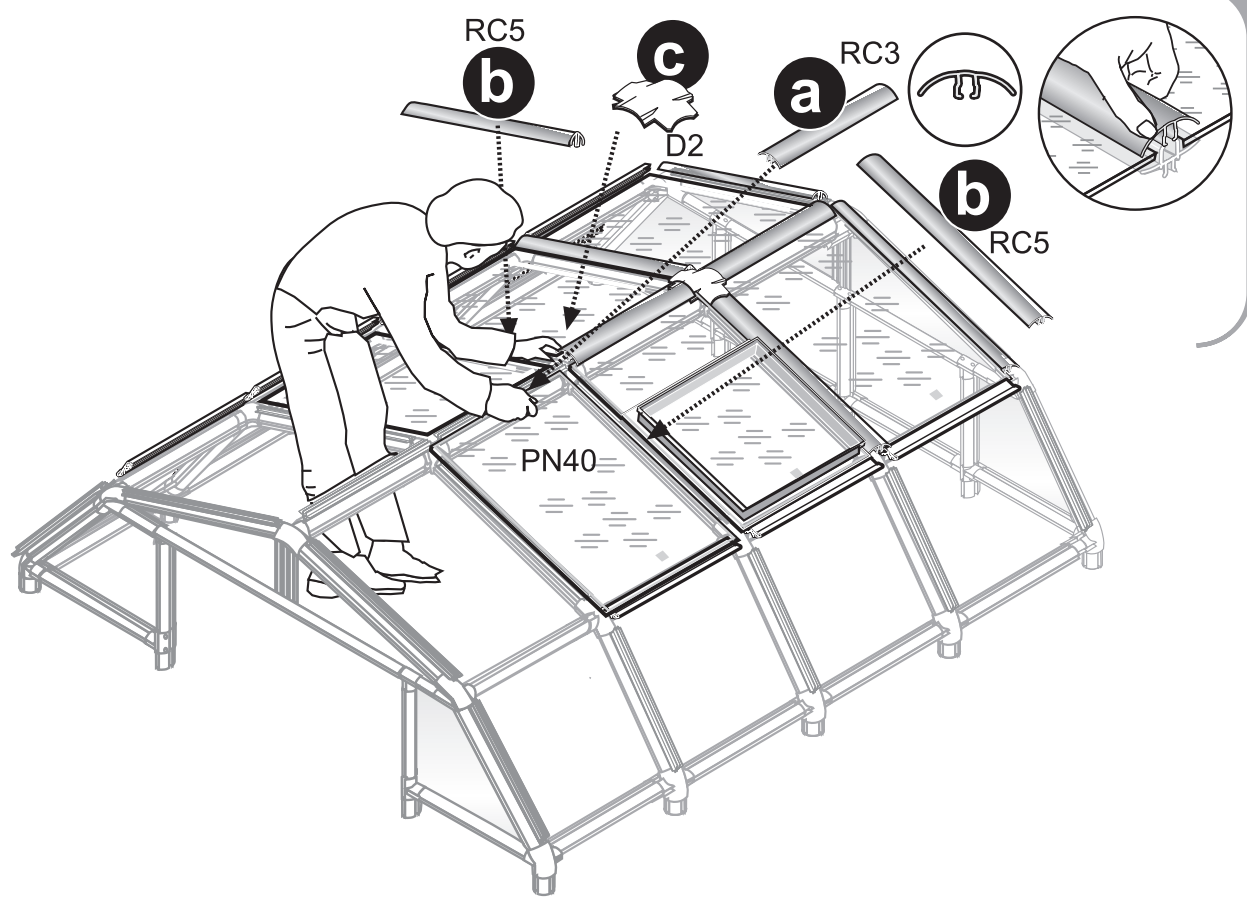
26



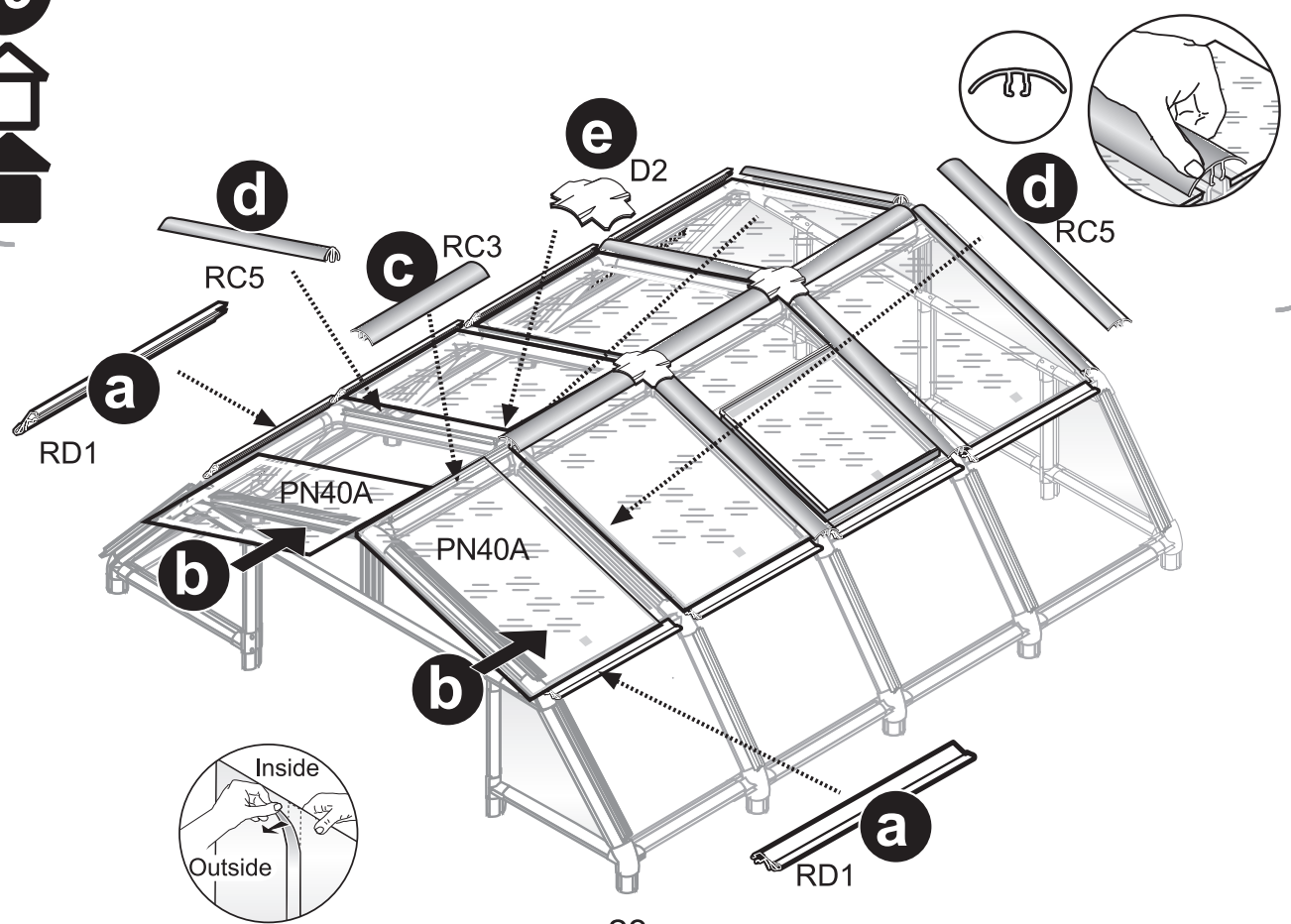
27



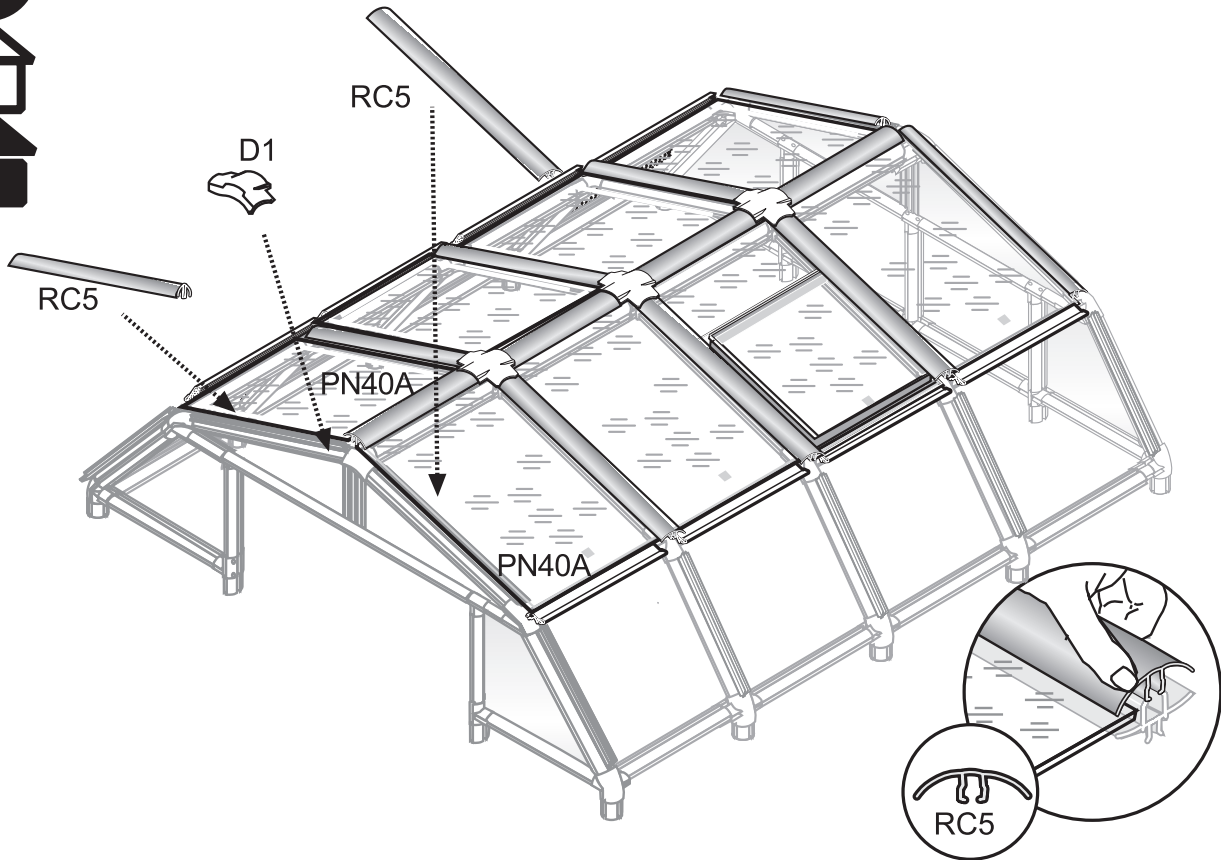
28



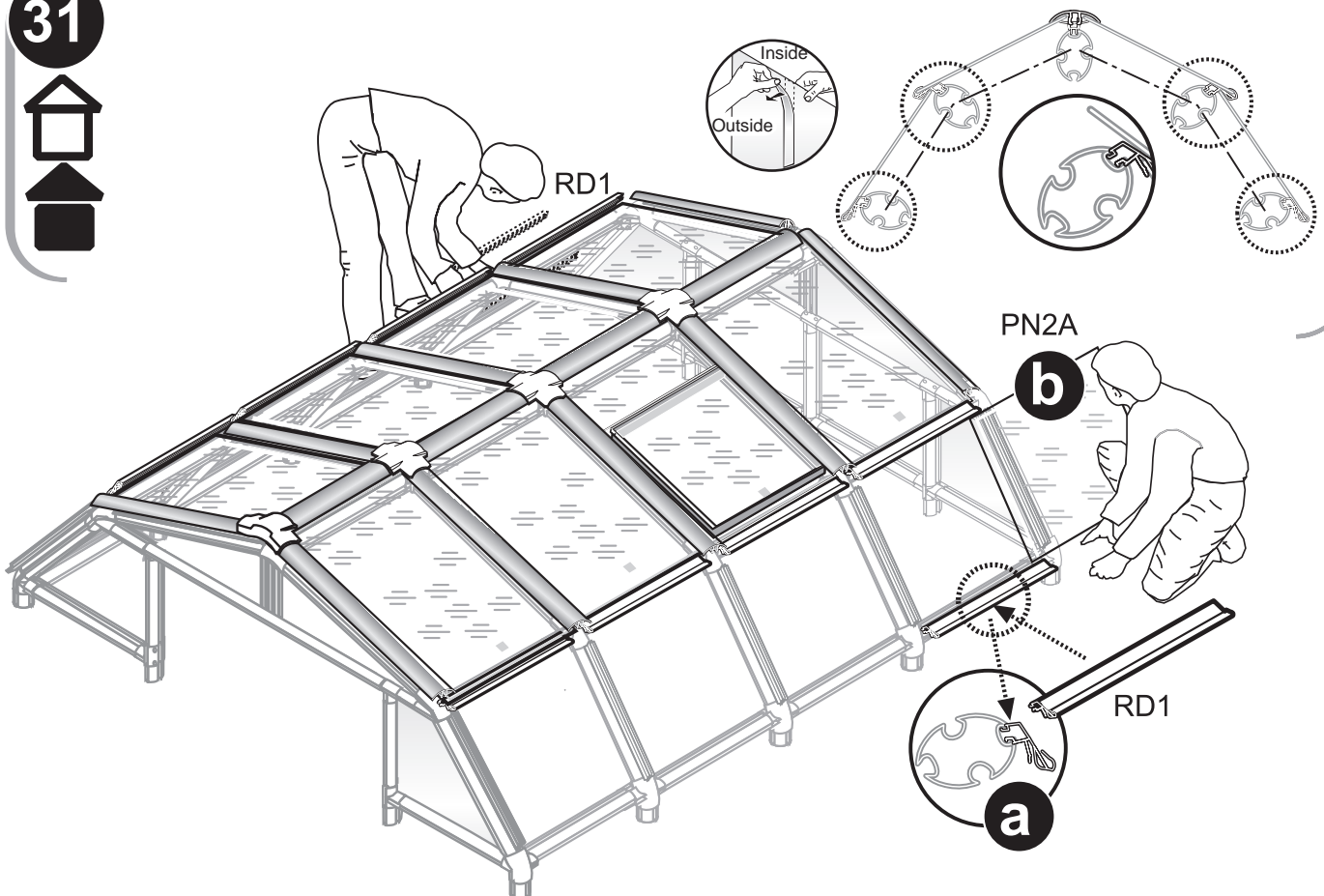
29



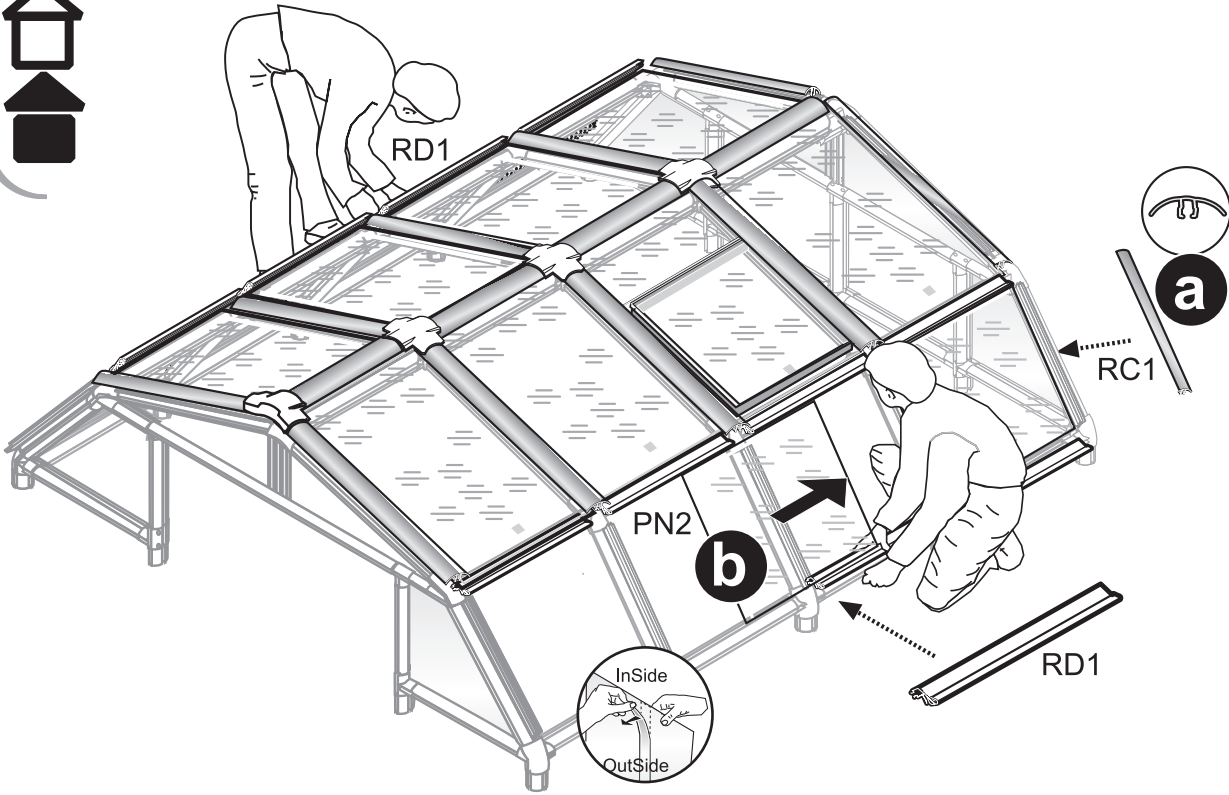
30



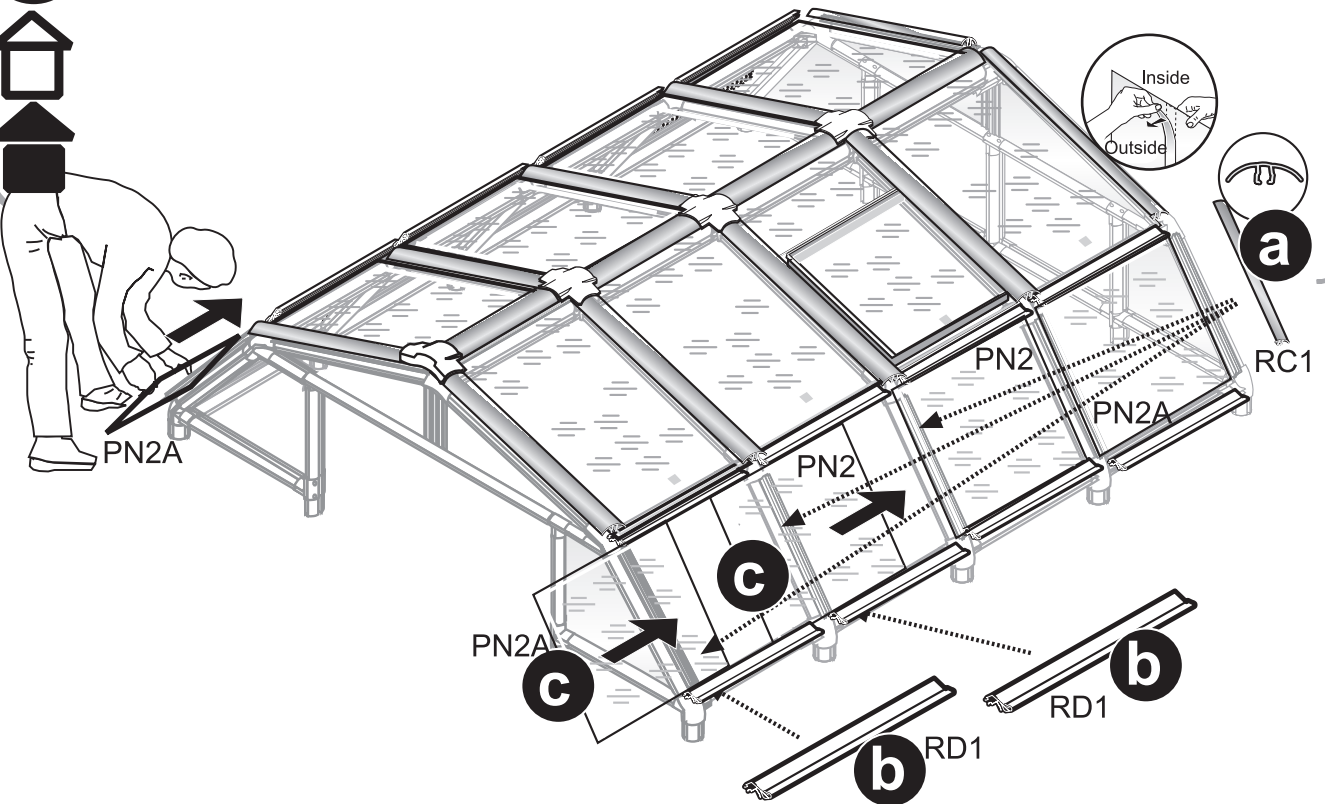
31



32



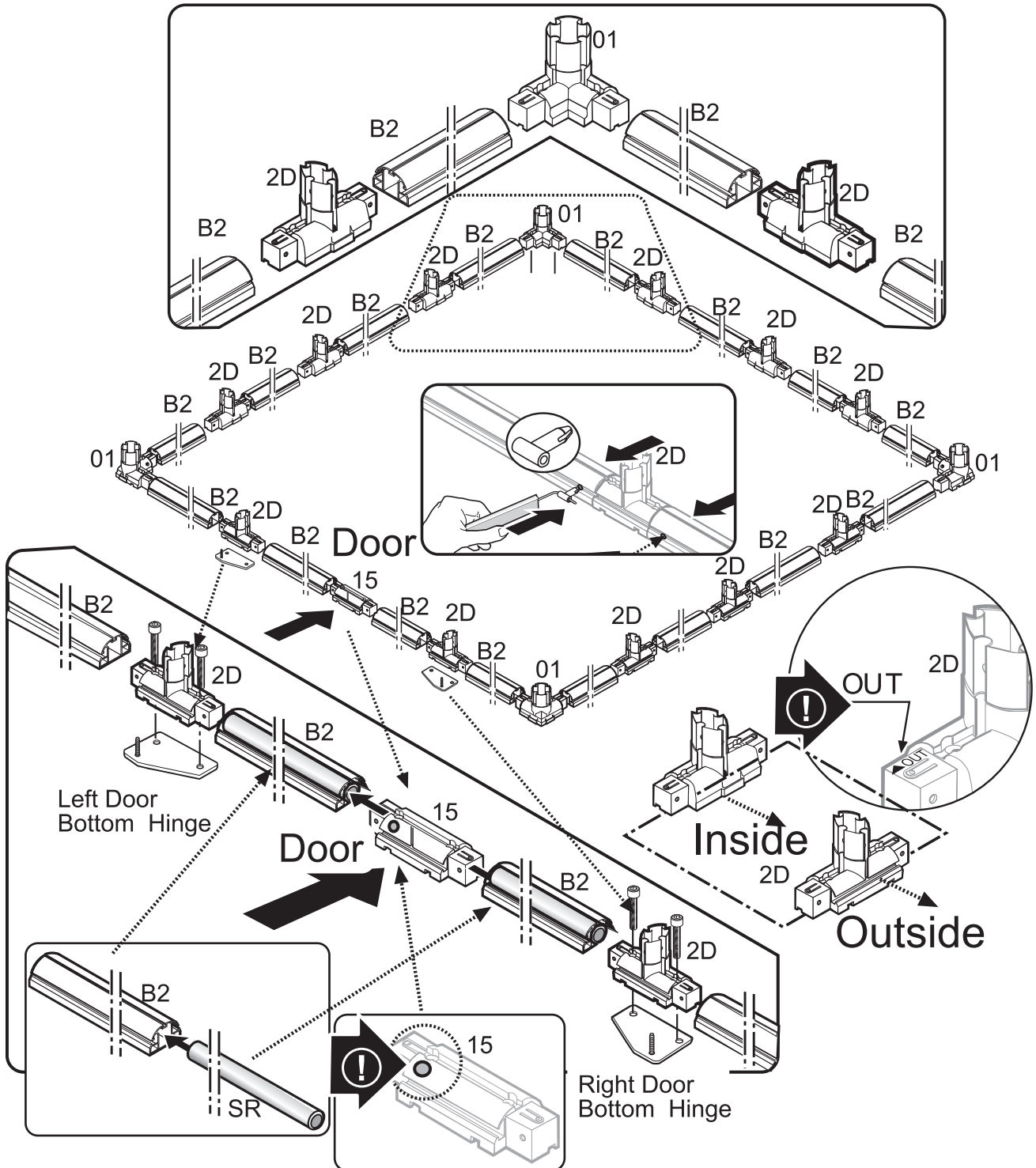
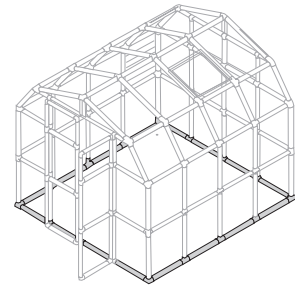
33



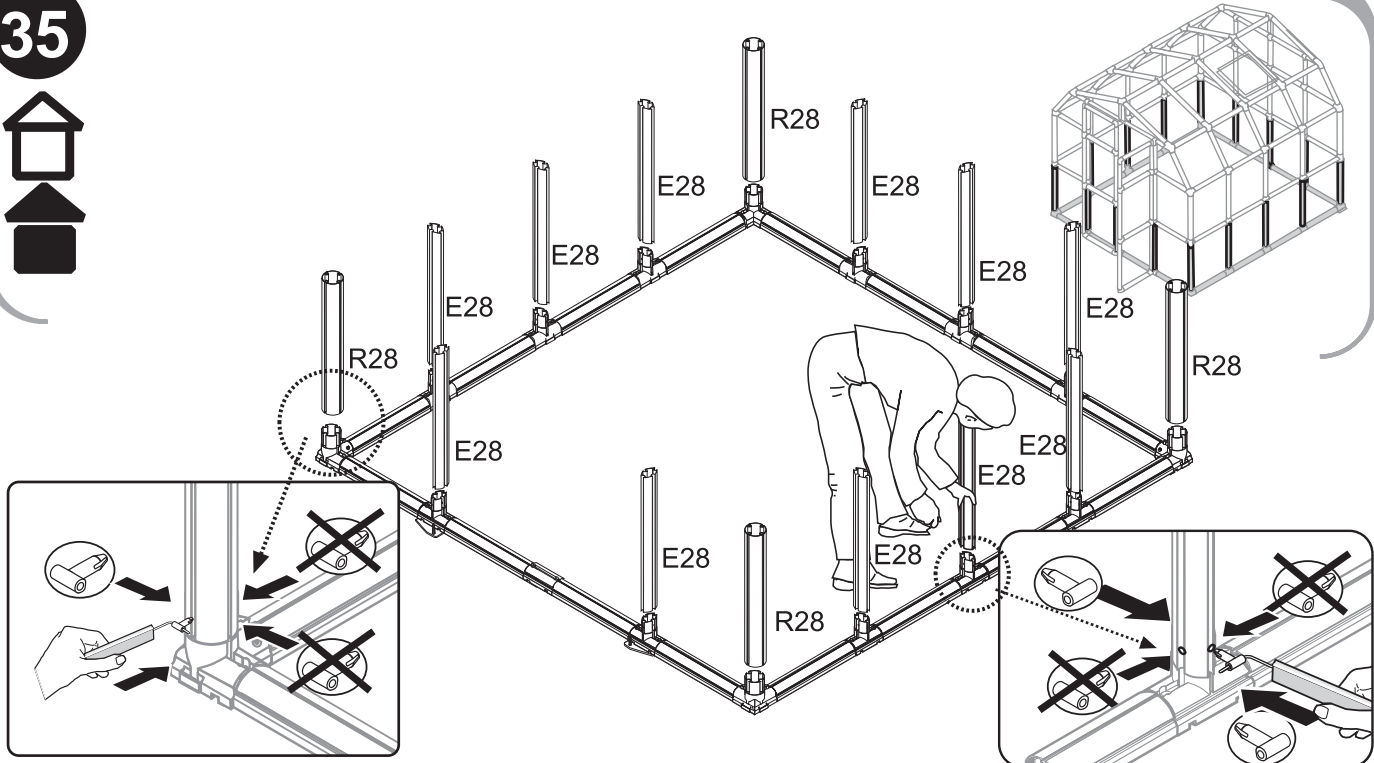
34



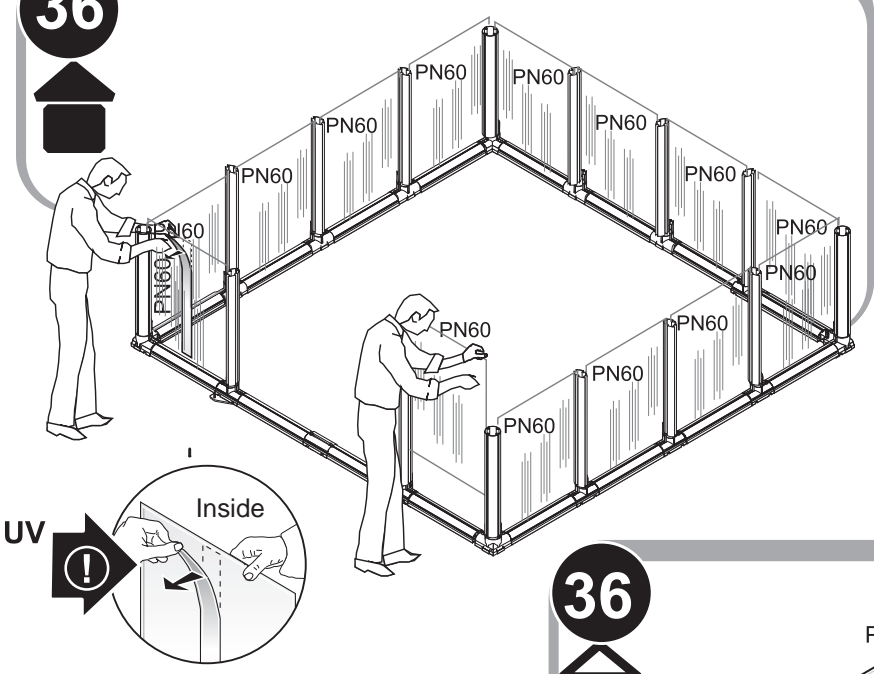
Step III Build the walls



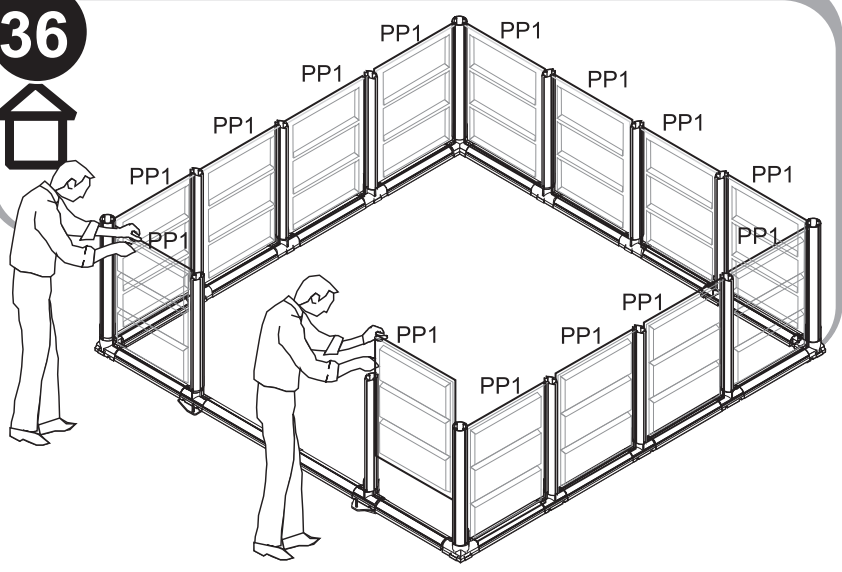
35

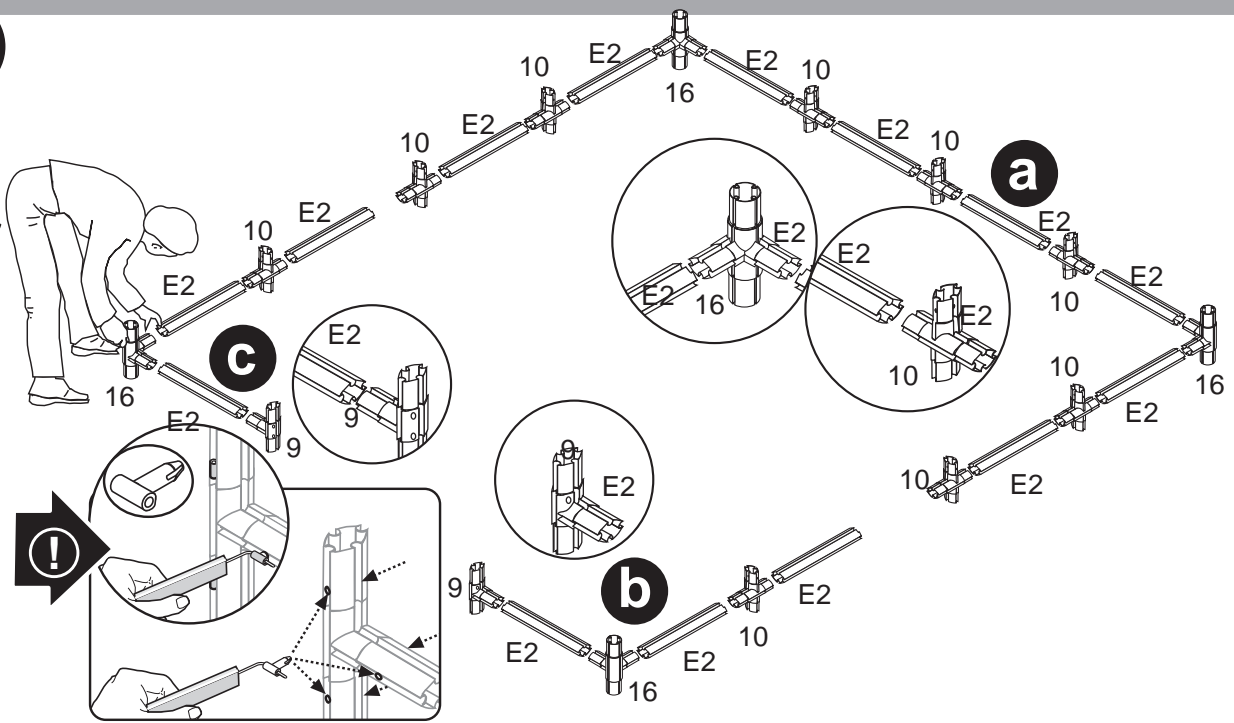
36

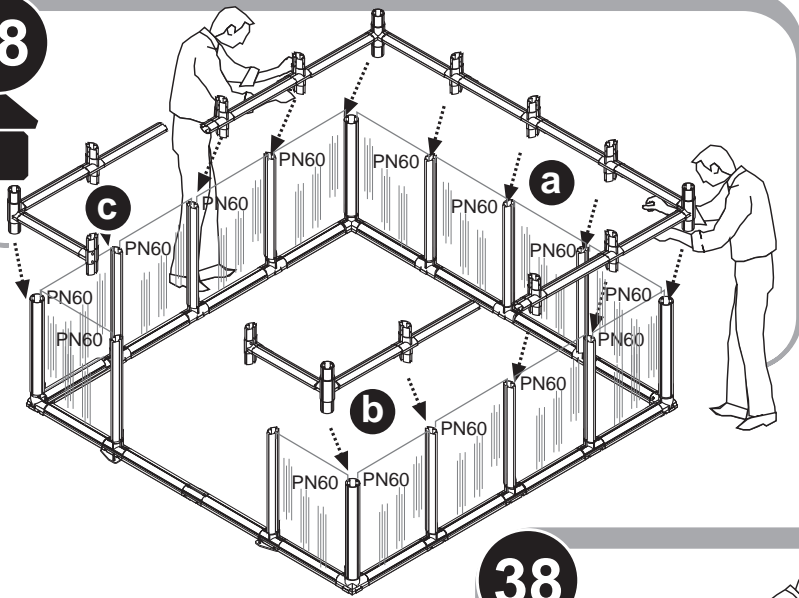
36

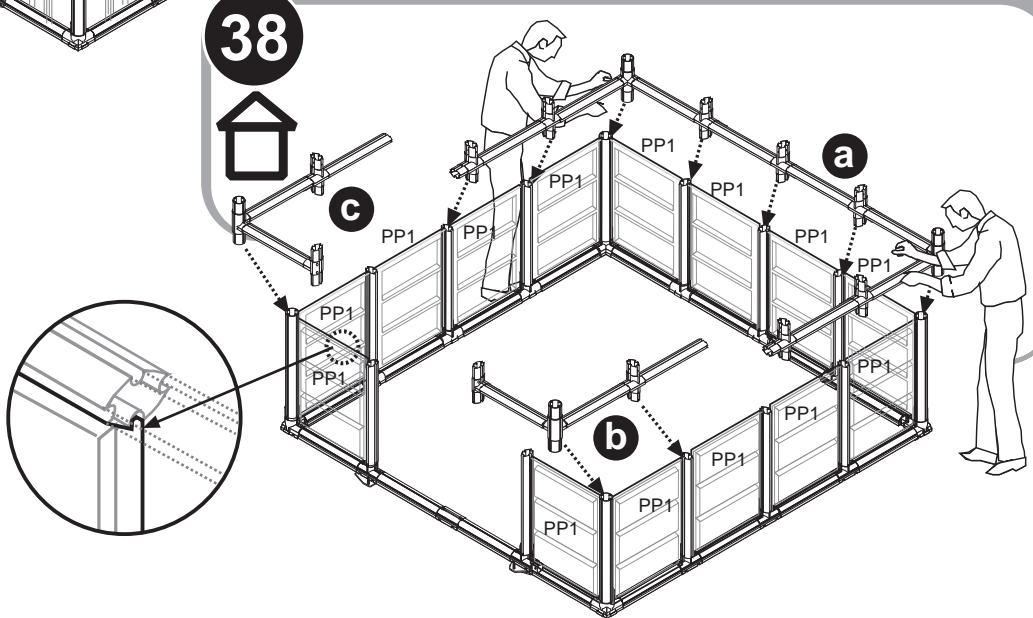
37



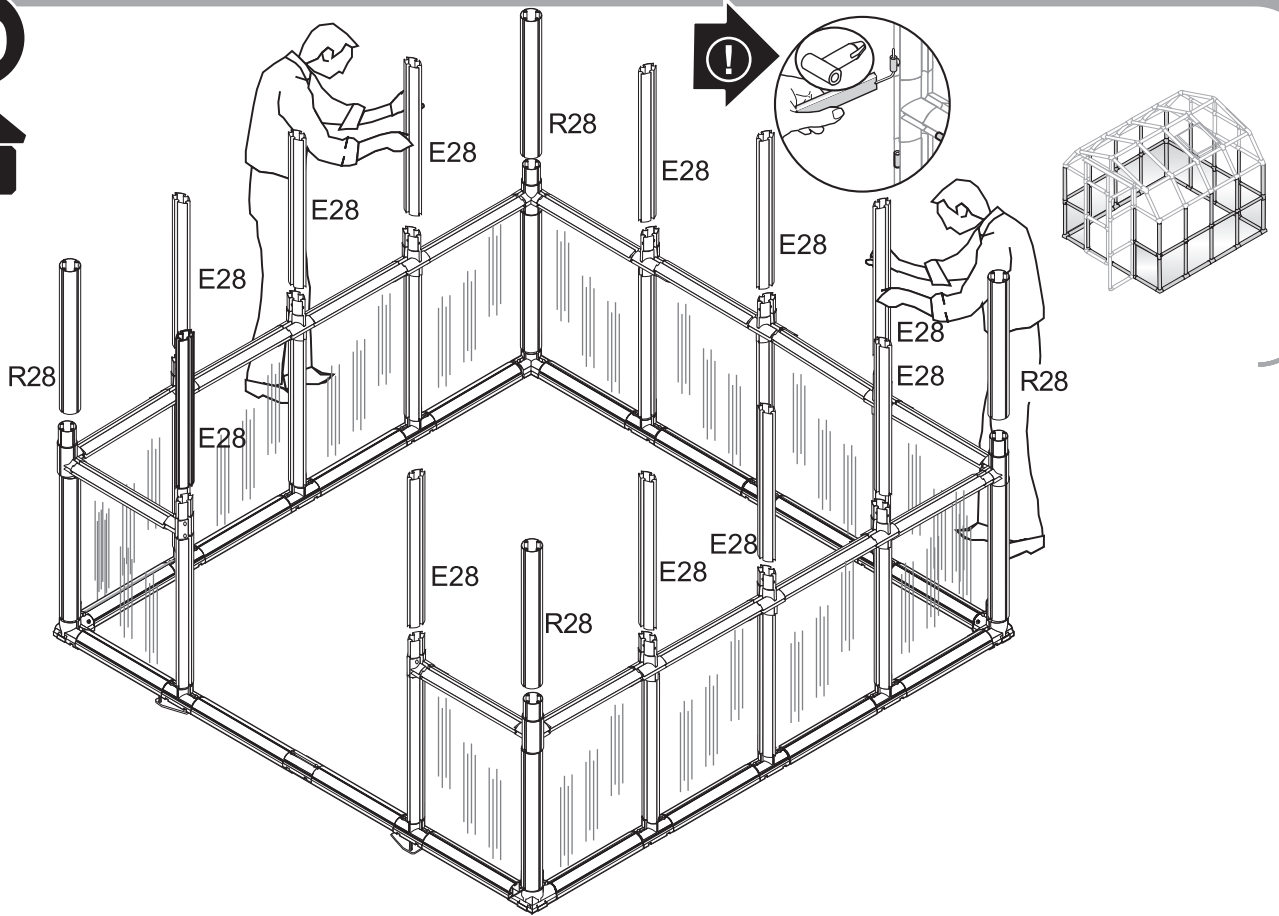
38



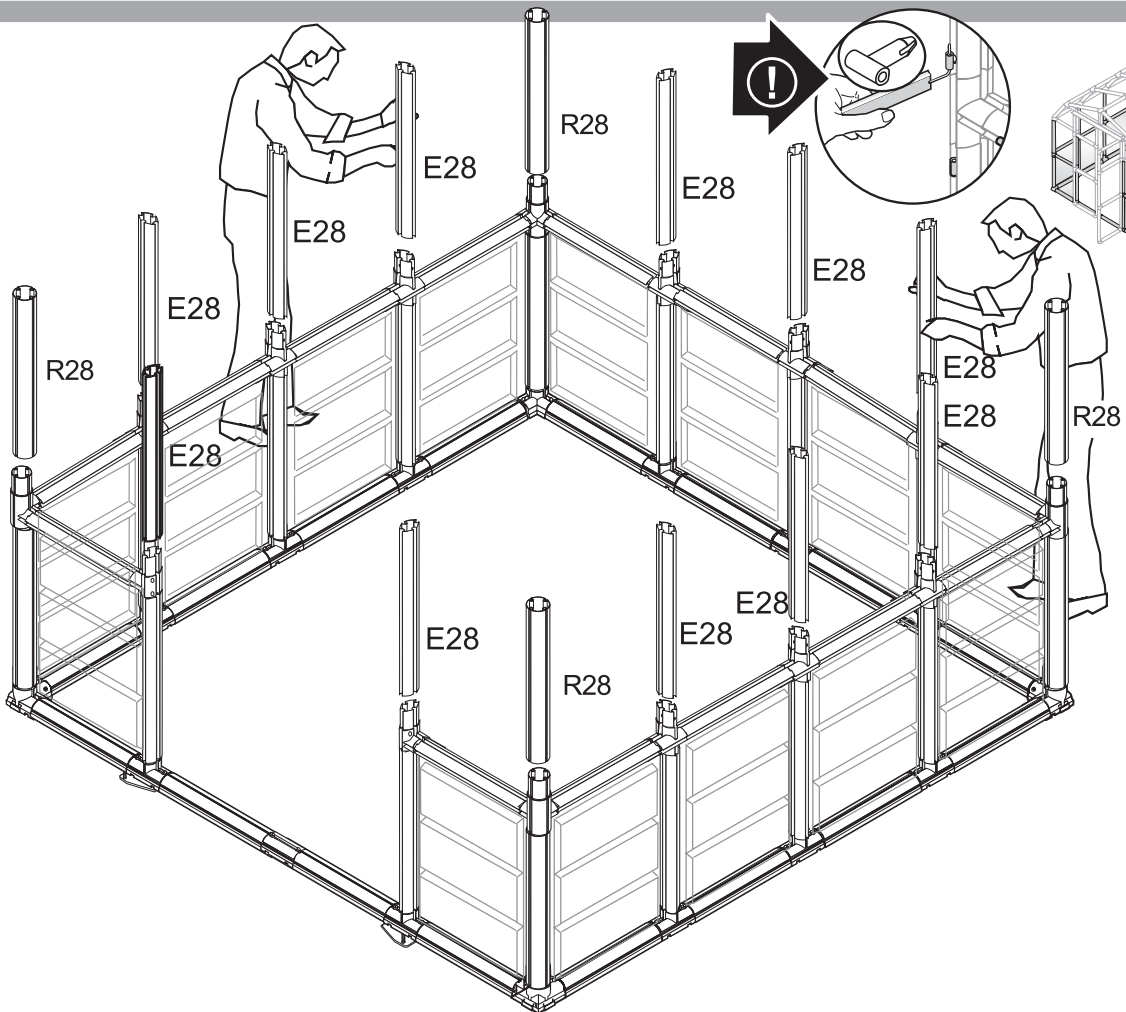
38



39



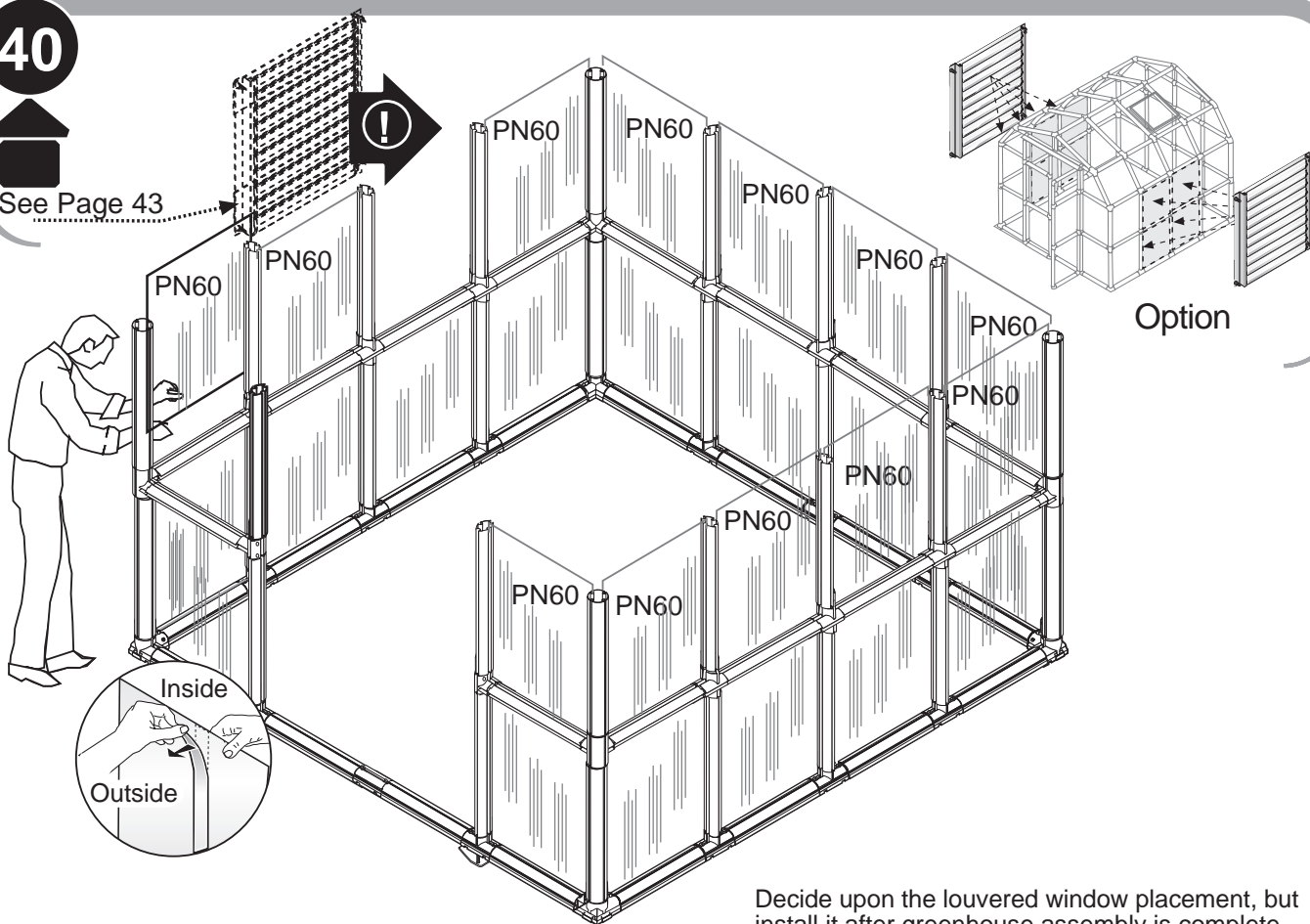
39



40



See Page 43

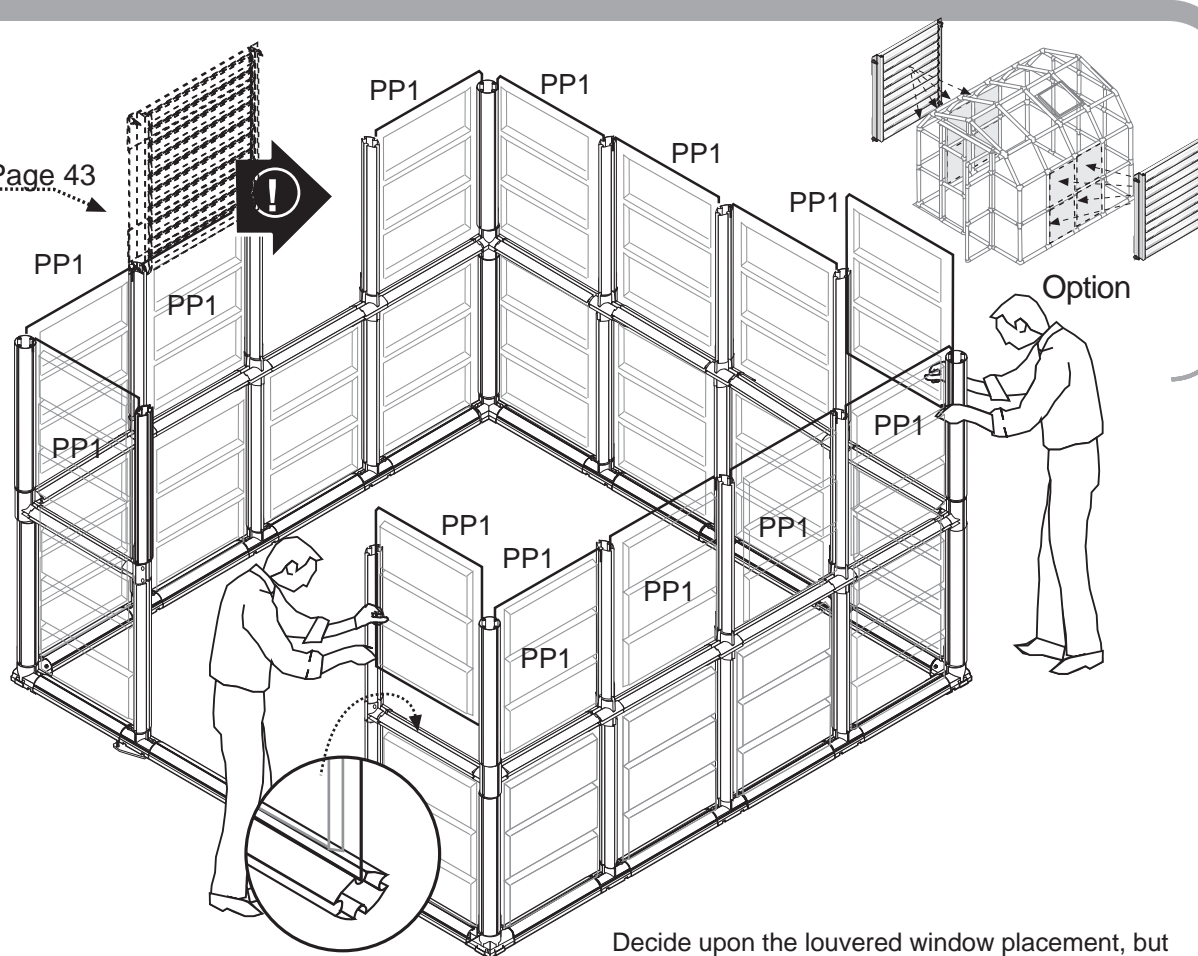


Decide upon the louvered window placement, but install it after greenhouse assembly is complete.

40



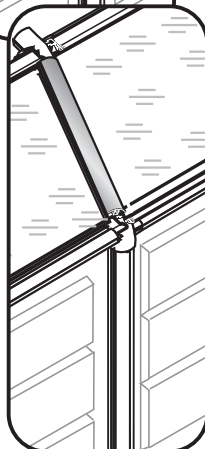
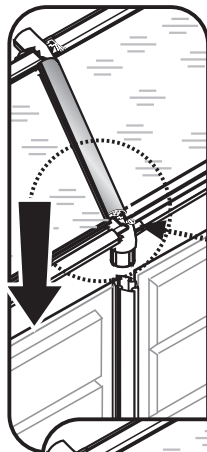
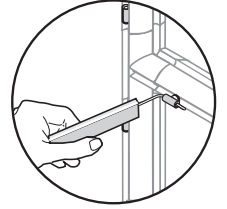
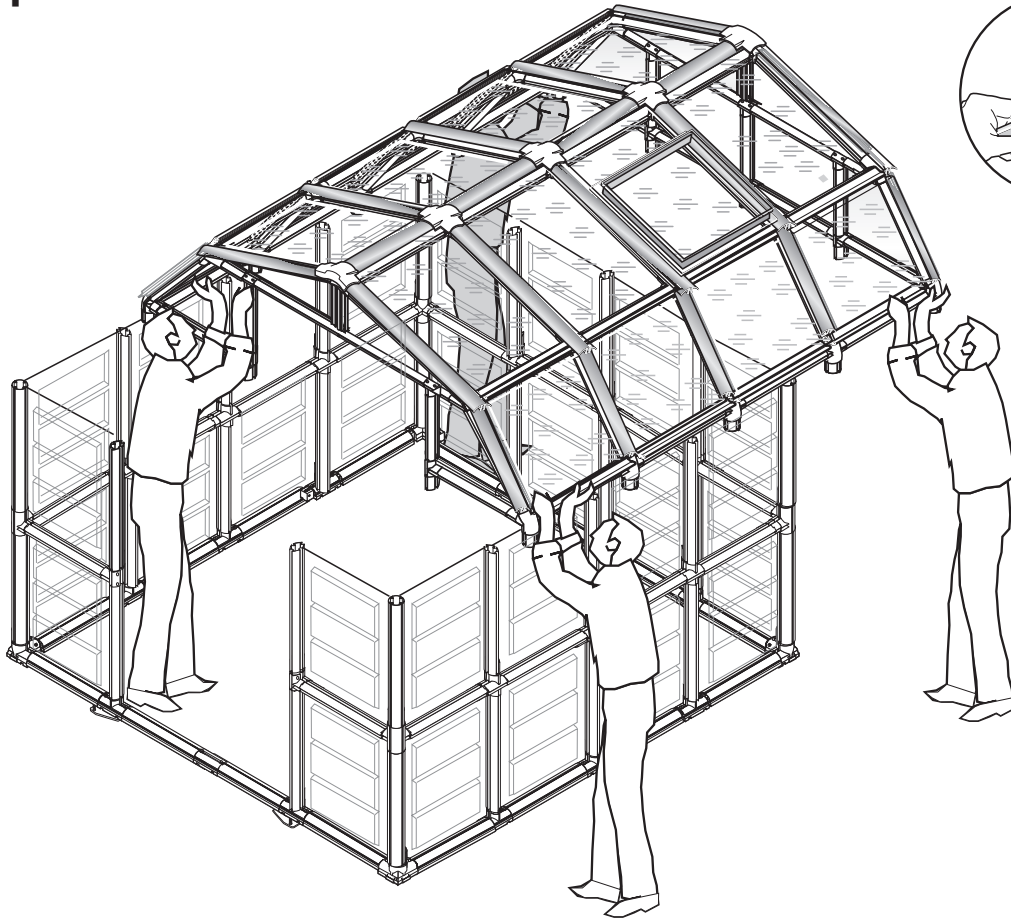
See Page 43



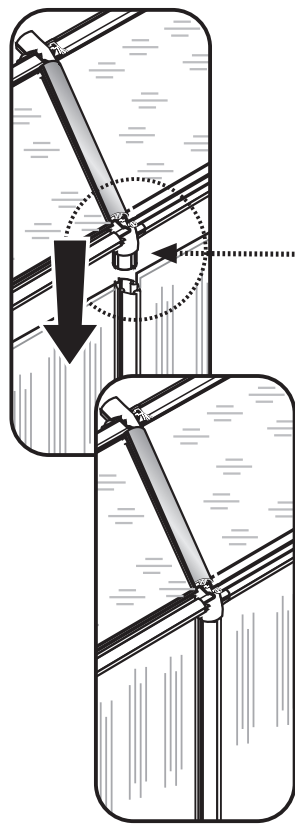
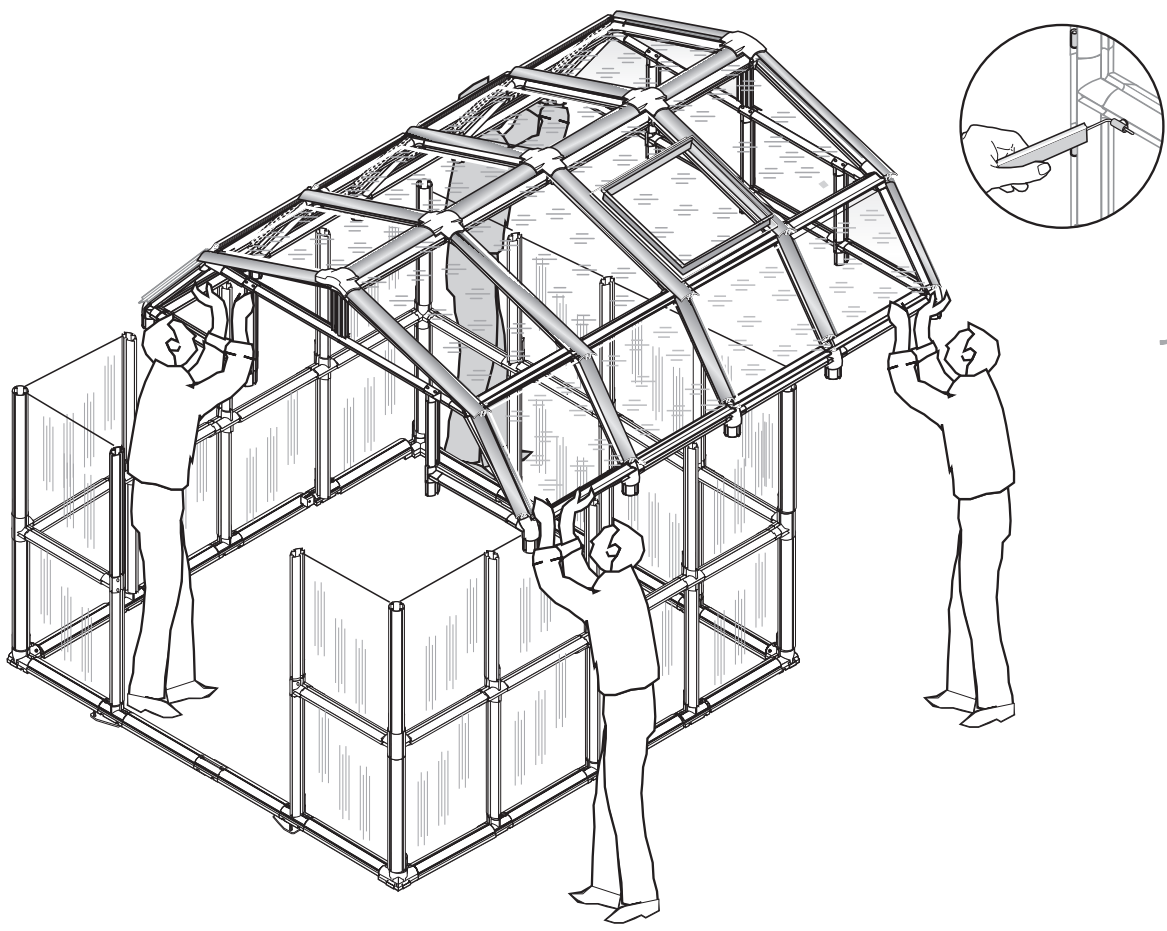
Decide upon the louvered window placement, but install it after greenhouse assembly is complete.

41

Step IV: Attach the assembled roof on the walls



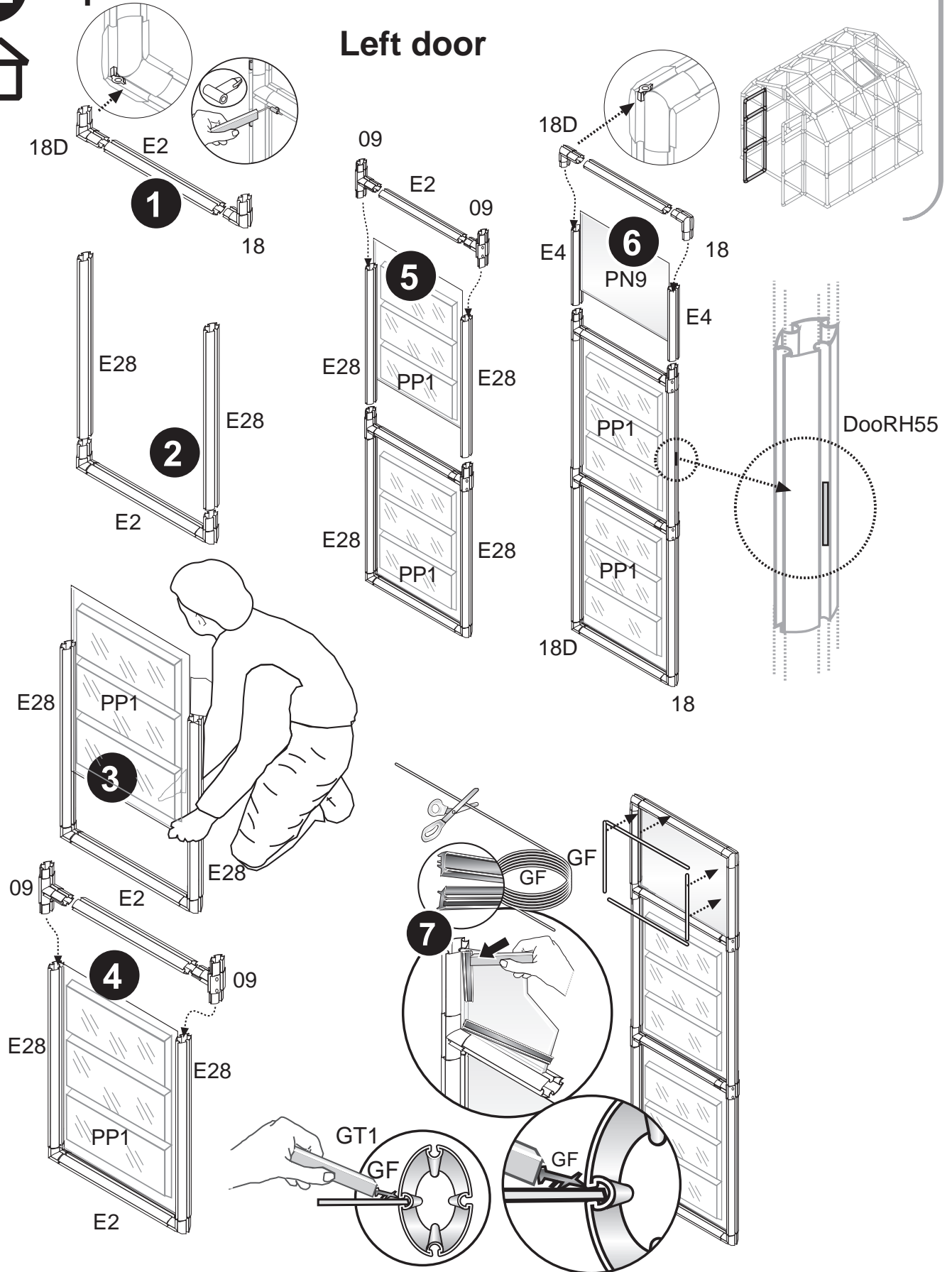
41



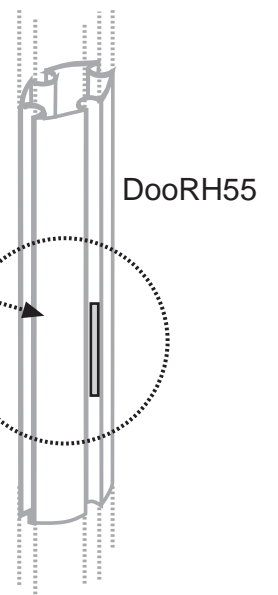
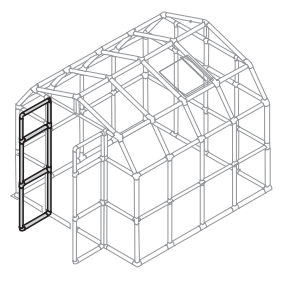
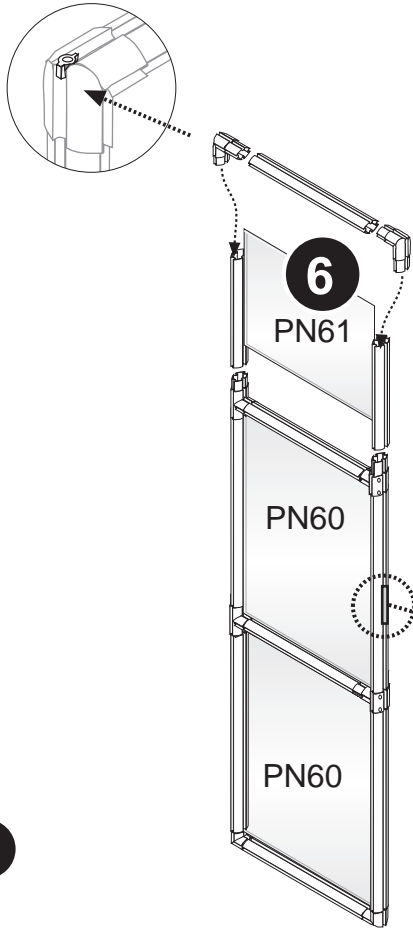
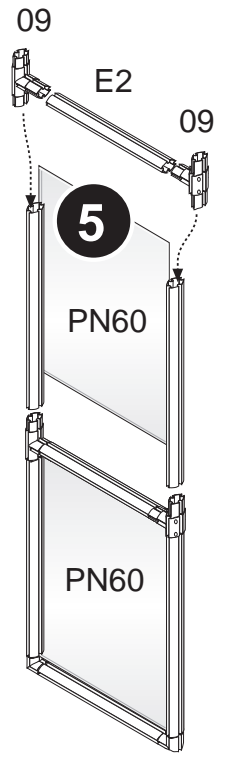
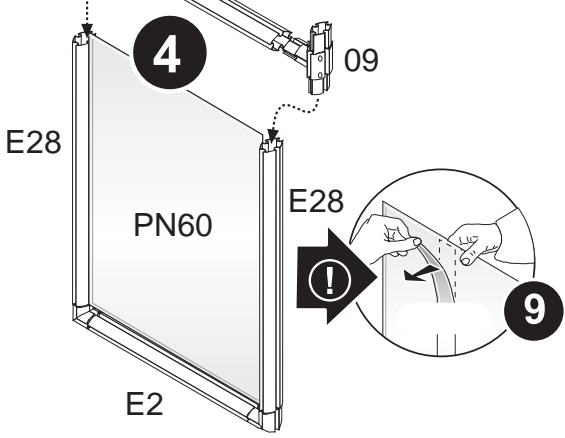
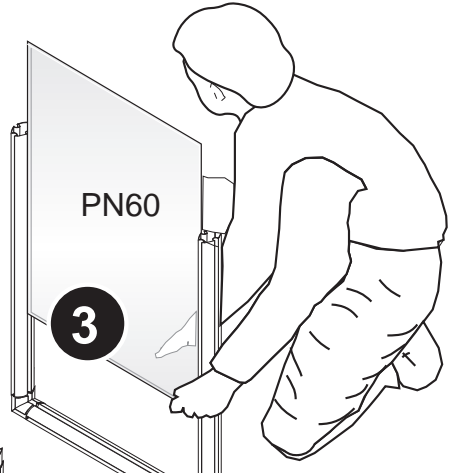
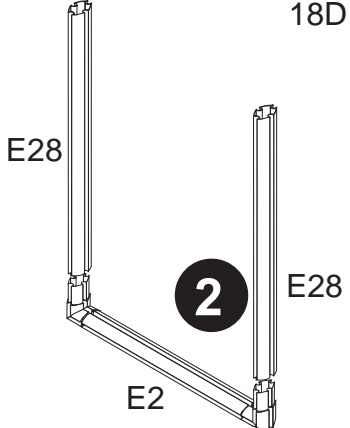
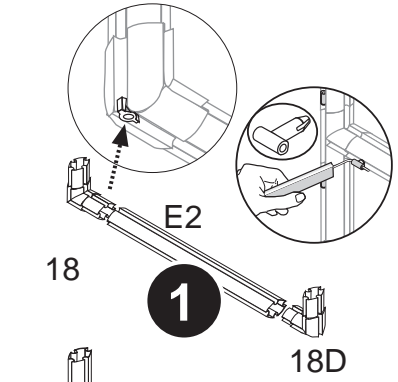
42 Step V Greenhouse Interior: door and louvered window



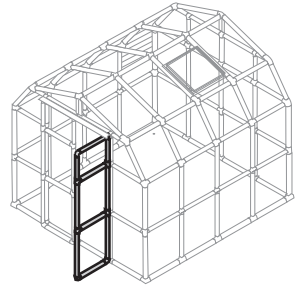
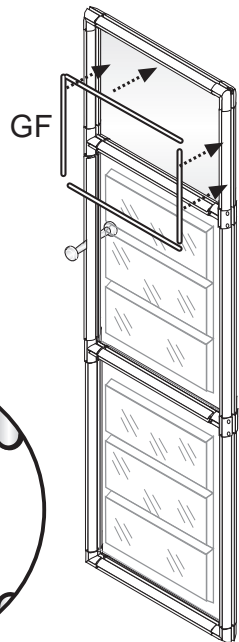
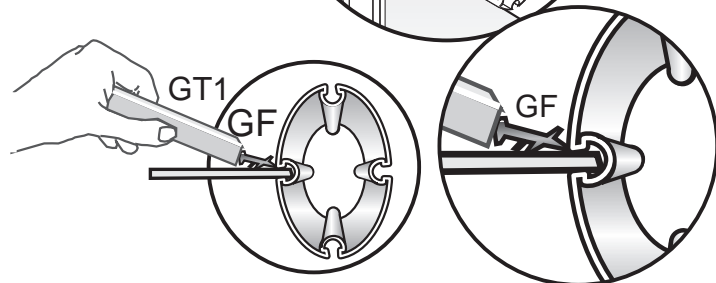
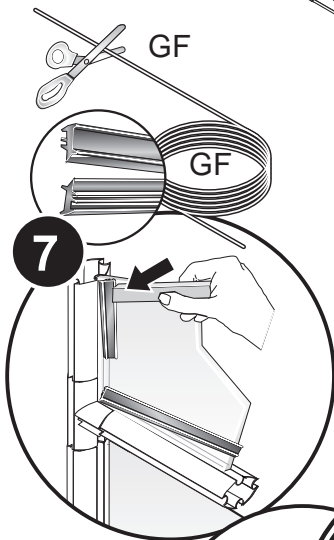
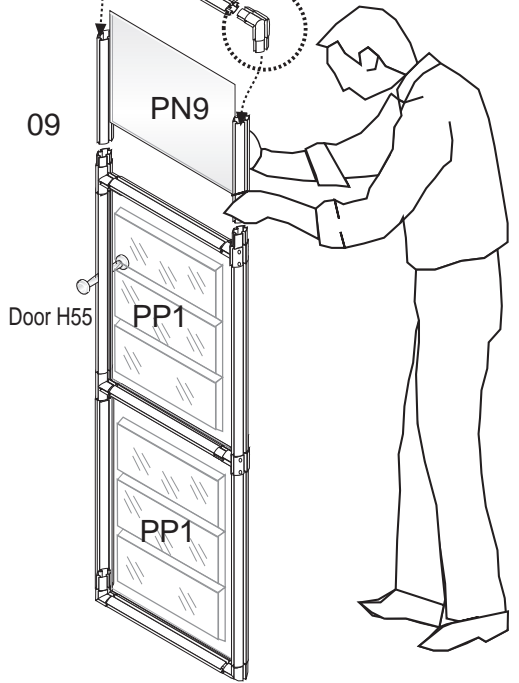
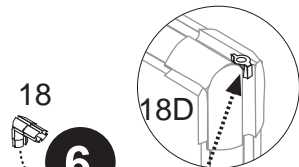
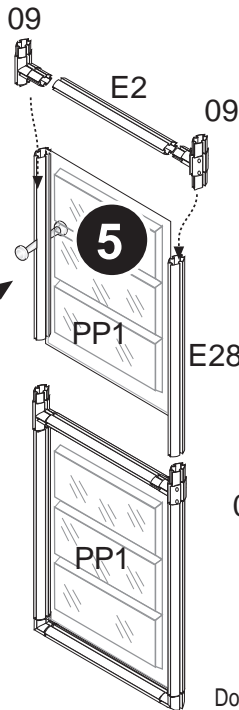
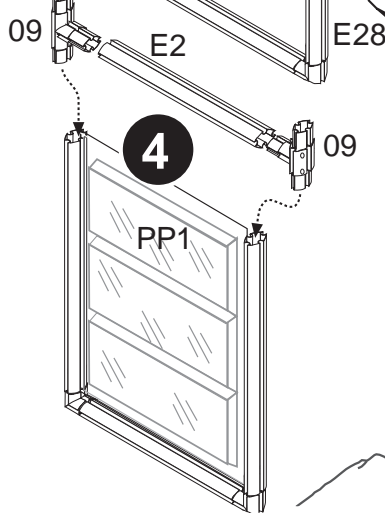
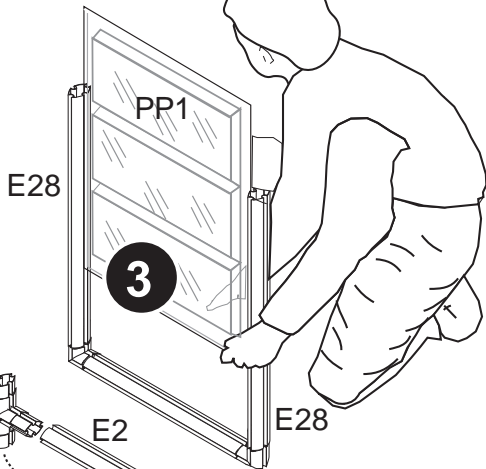
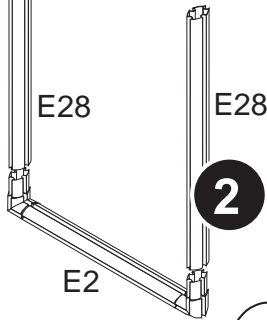
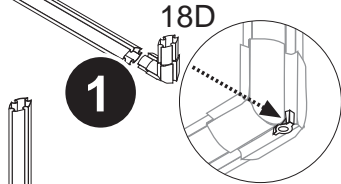
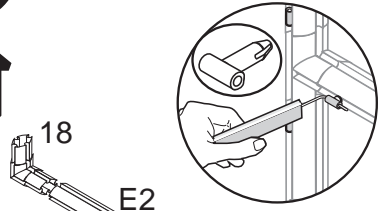
Left door



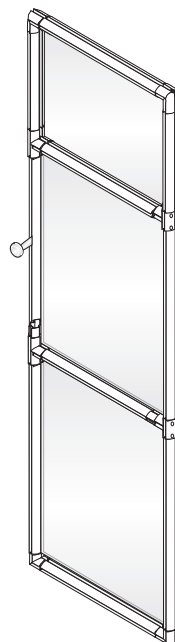
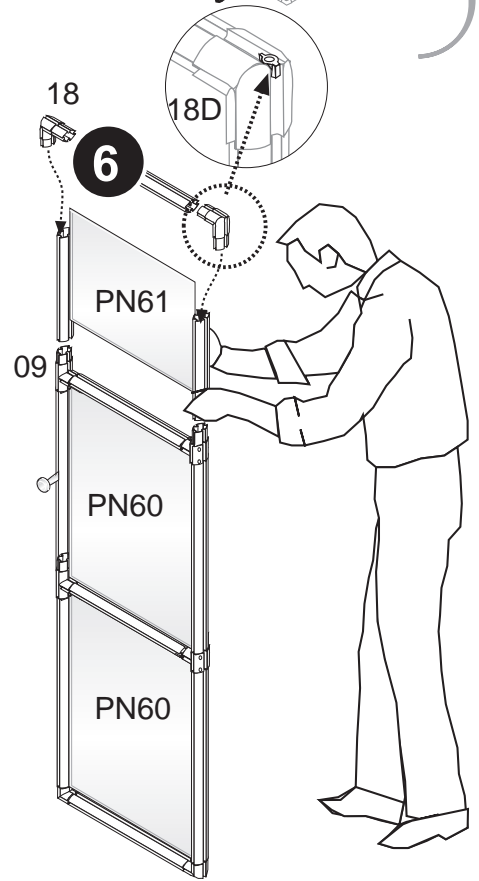
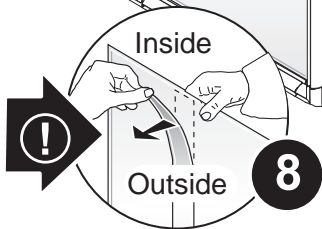
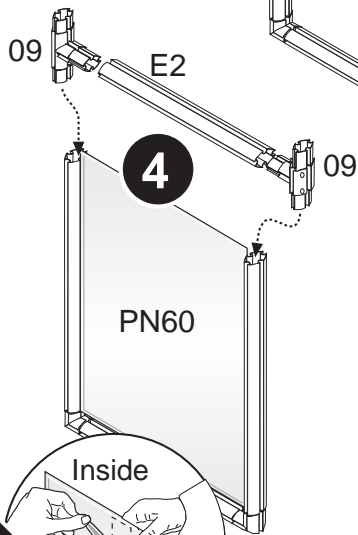
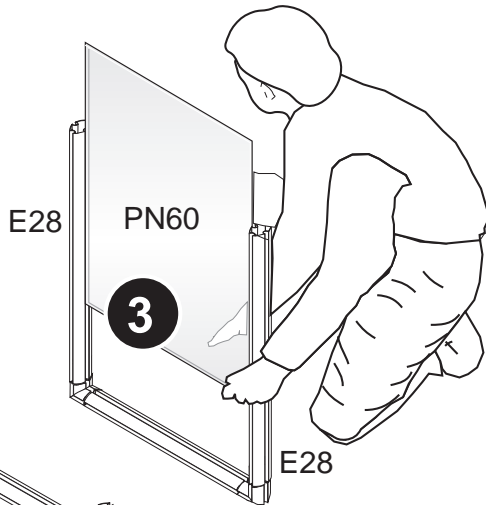
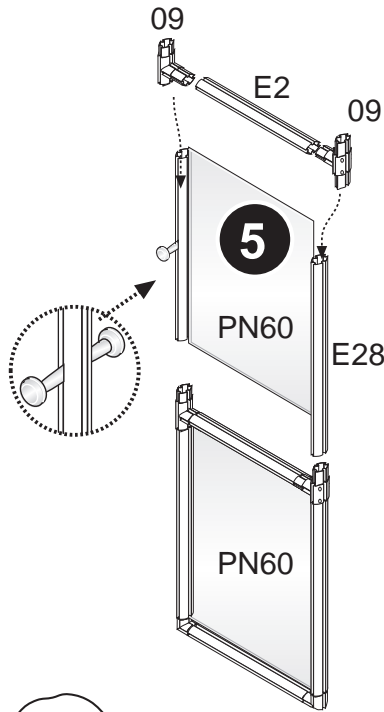
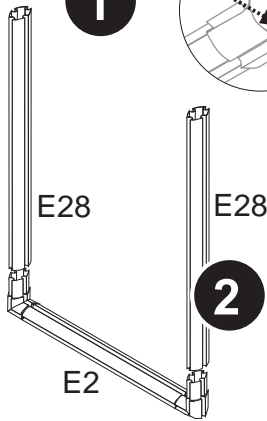
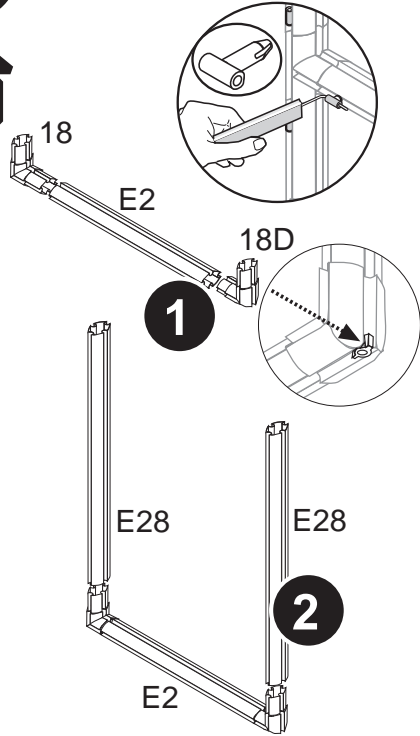
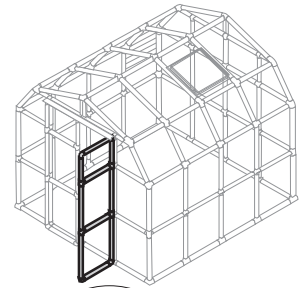
42 Left Door



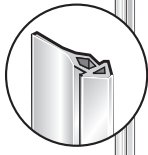
43 Right Door



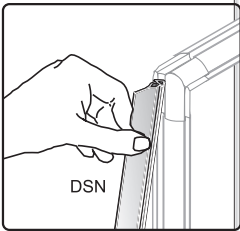
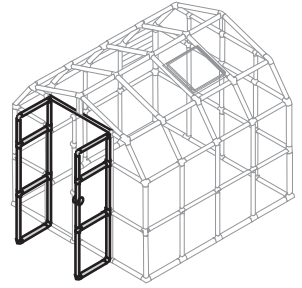
43 Right Door



44



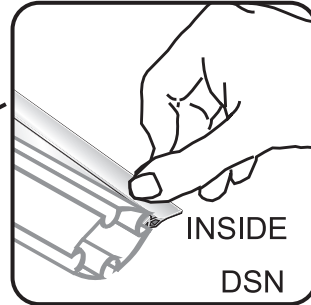
DSN



DSN

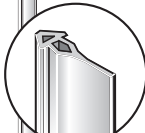
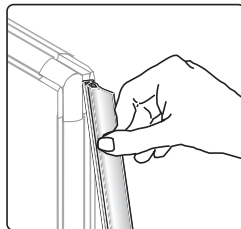


INSIDE
DSN



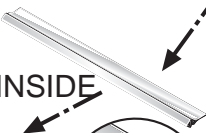
INSIDE
DSN

DSN

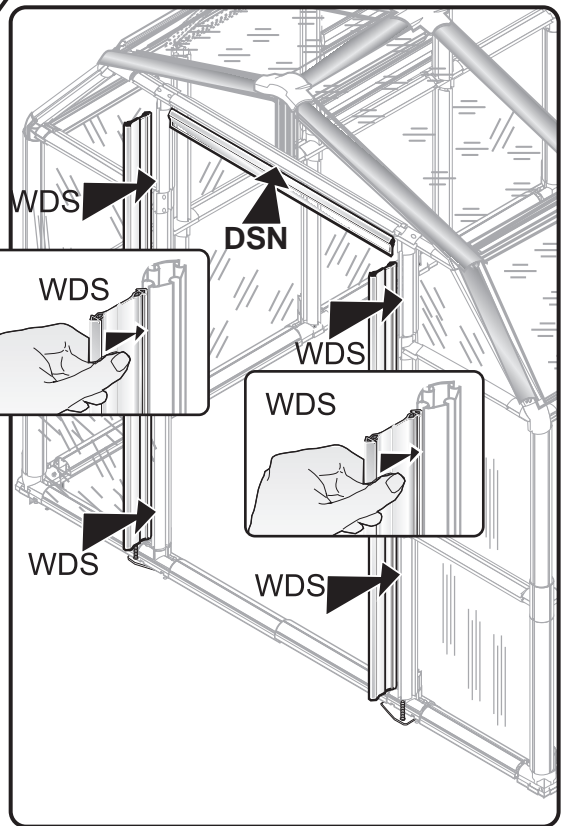


DSN

INSIDE



DSN



WDS

DSN

WDS

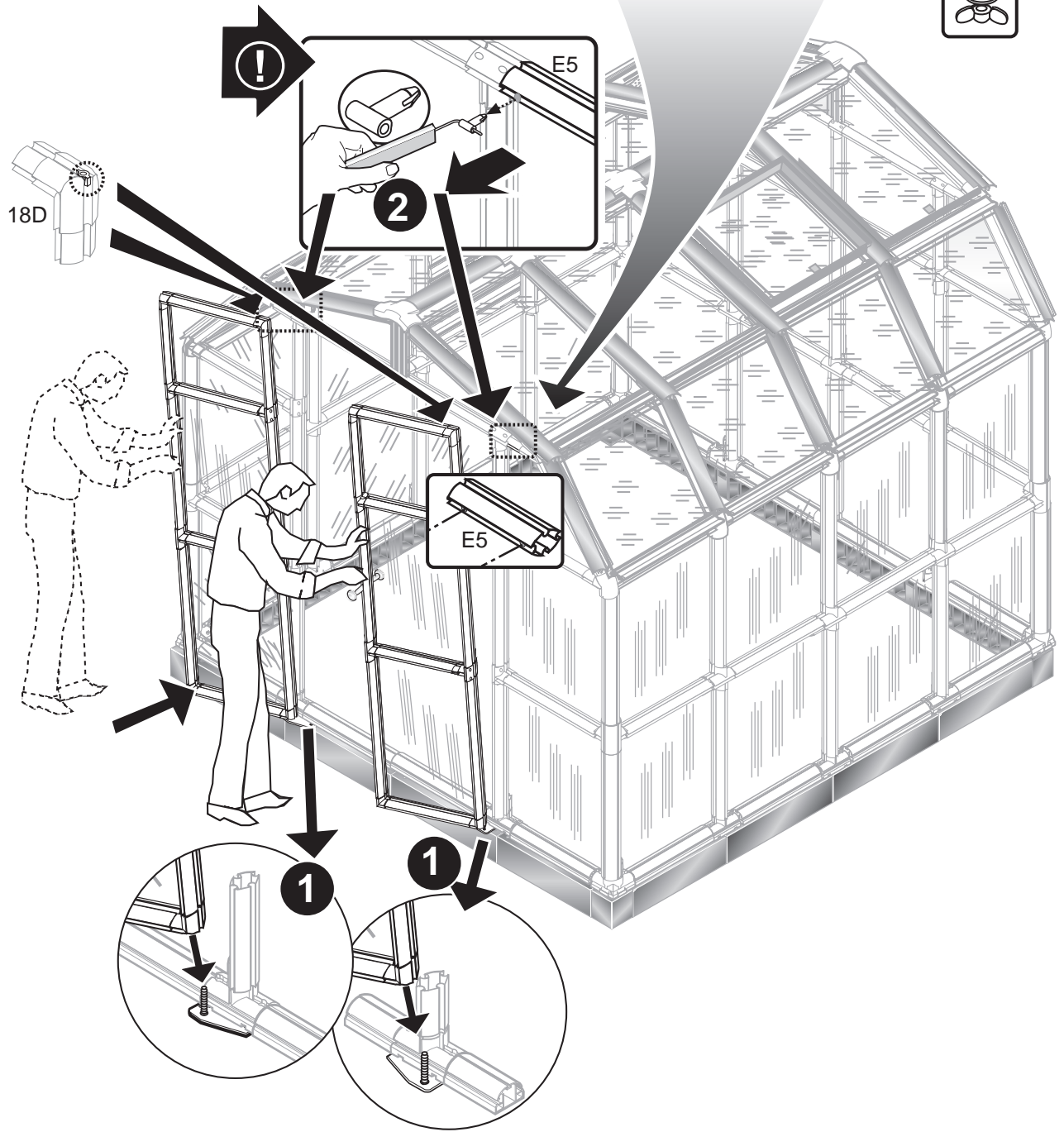
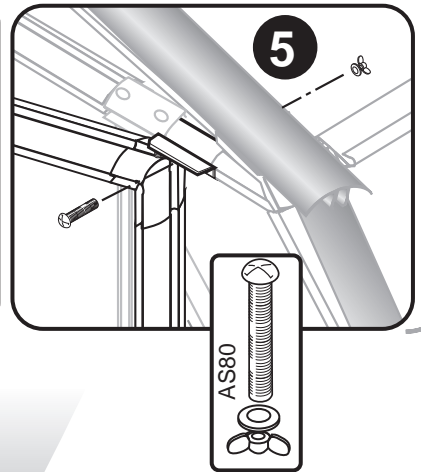
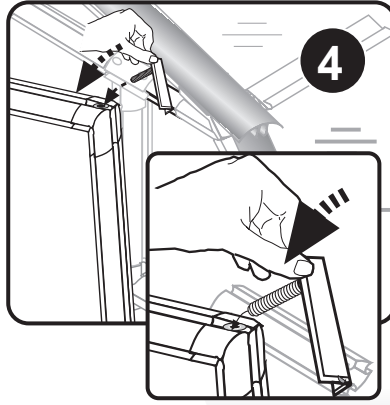
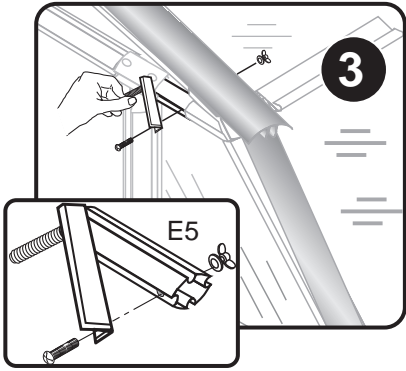
WDS

WDS

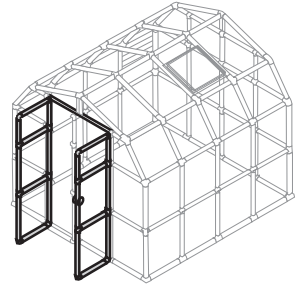
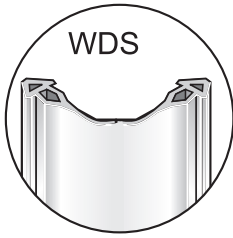
WDS

WDS

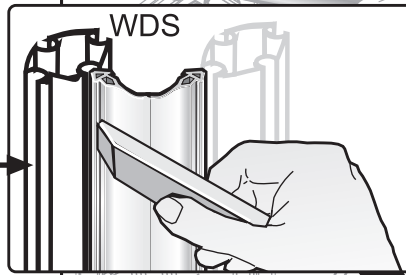
45



46

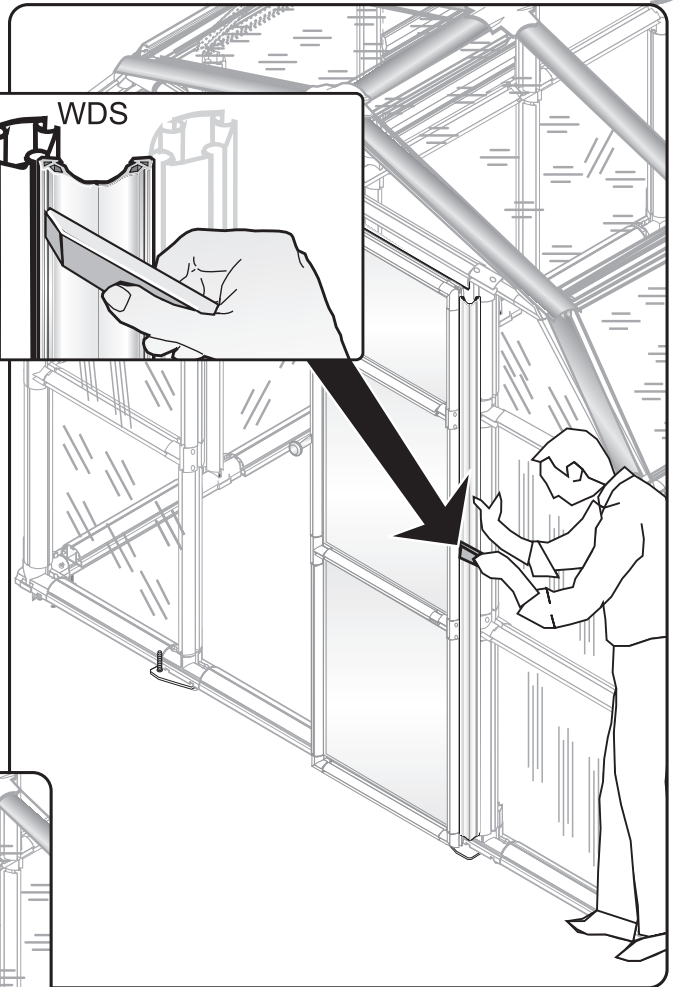
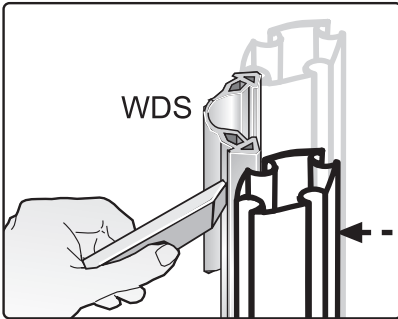


Door frame

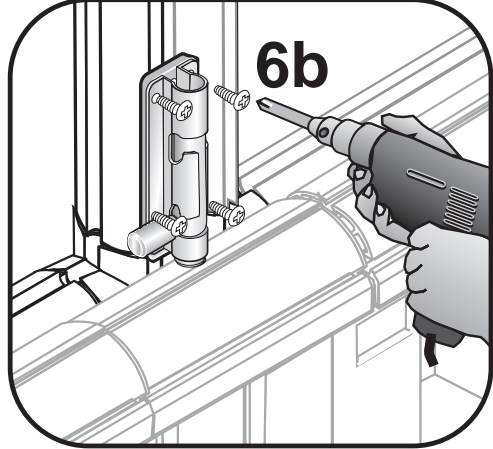
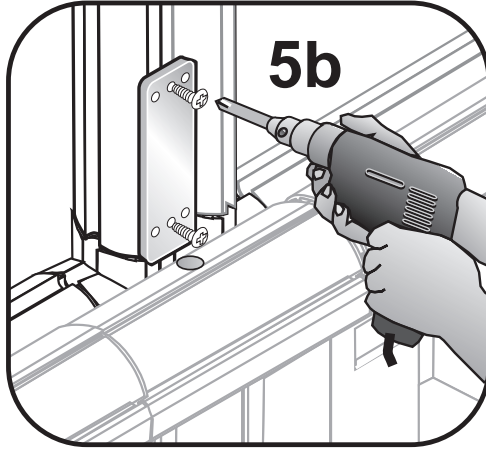
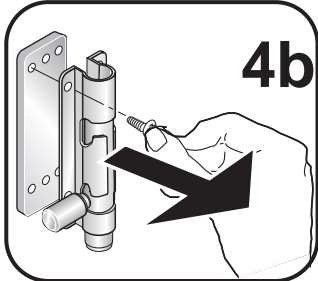
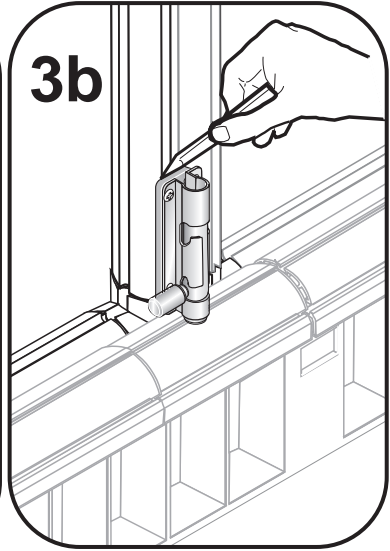
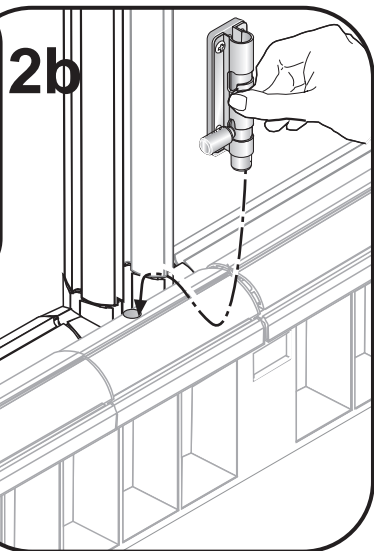
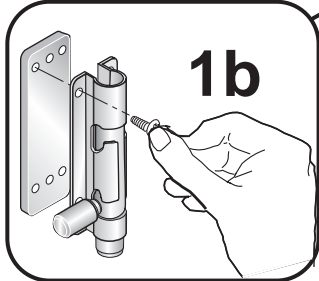
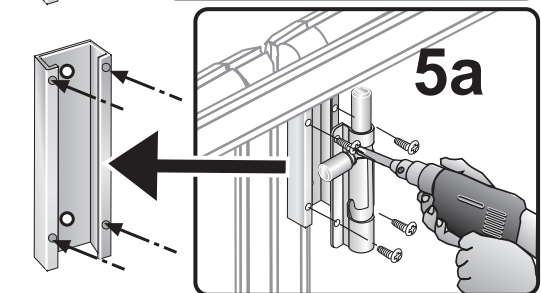
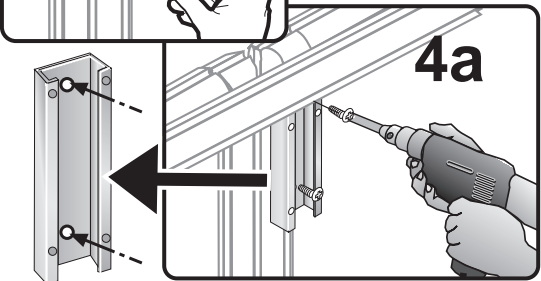
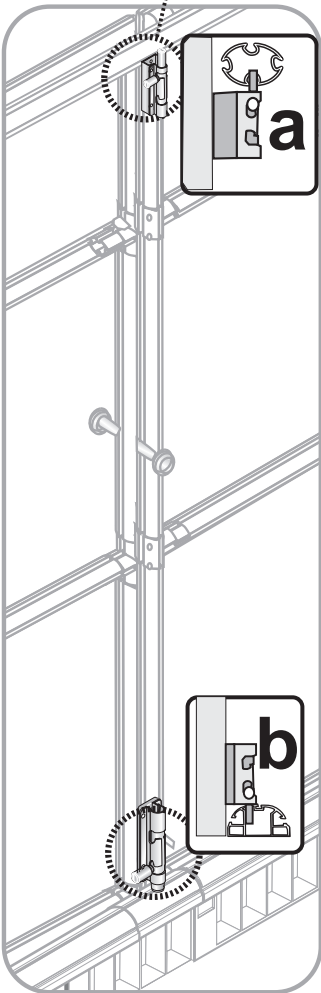
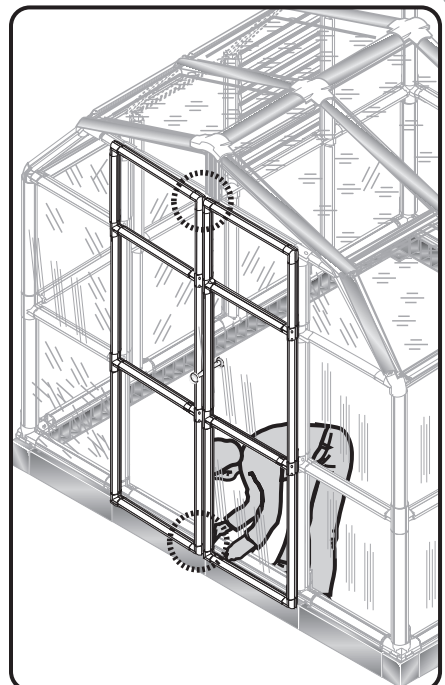
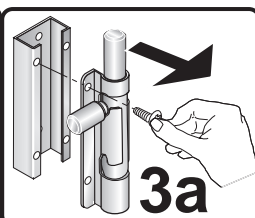
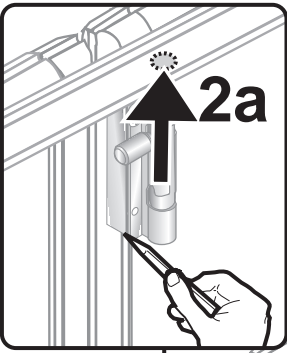
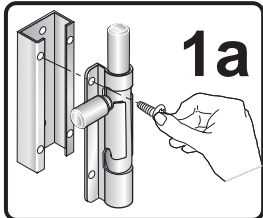


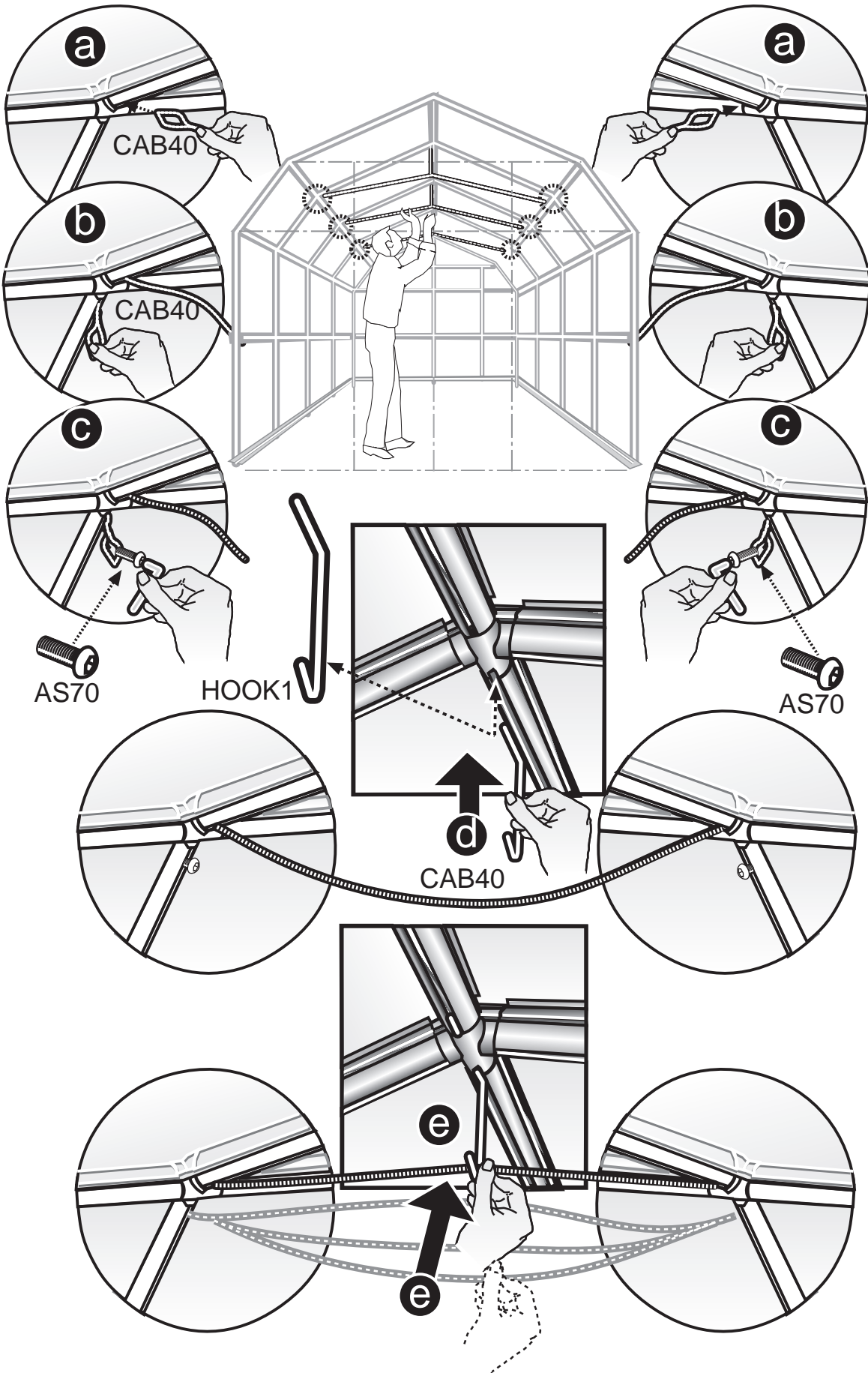
WDS

Door frame

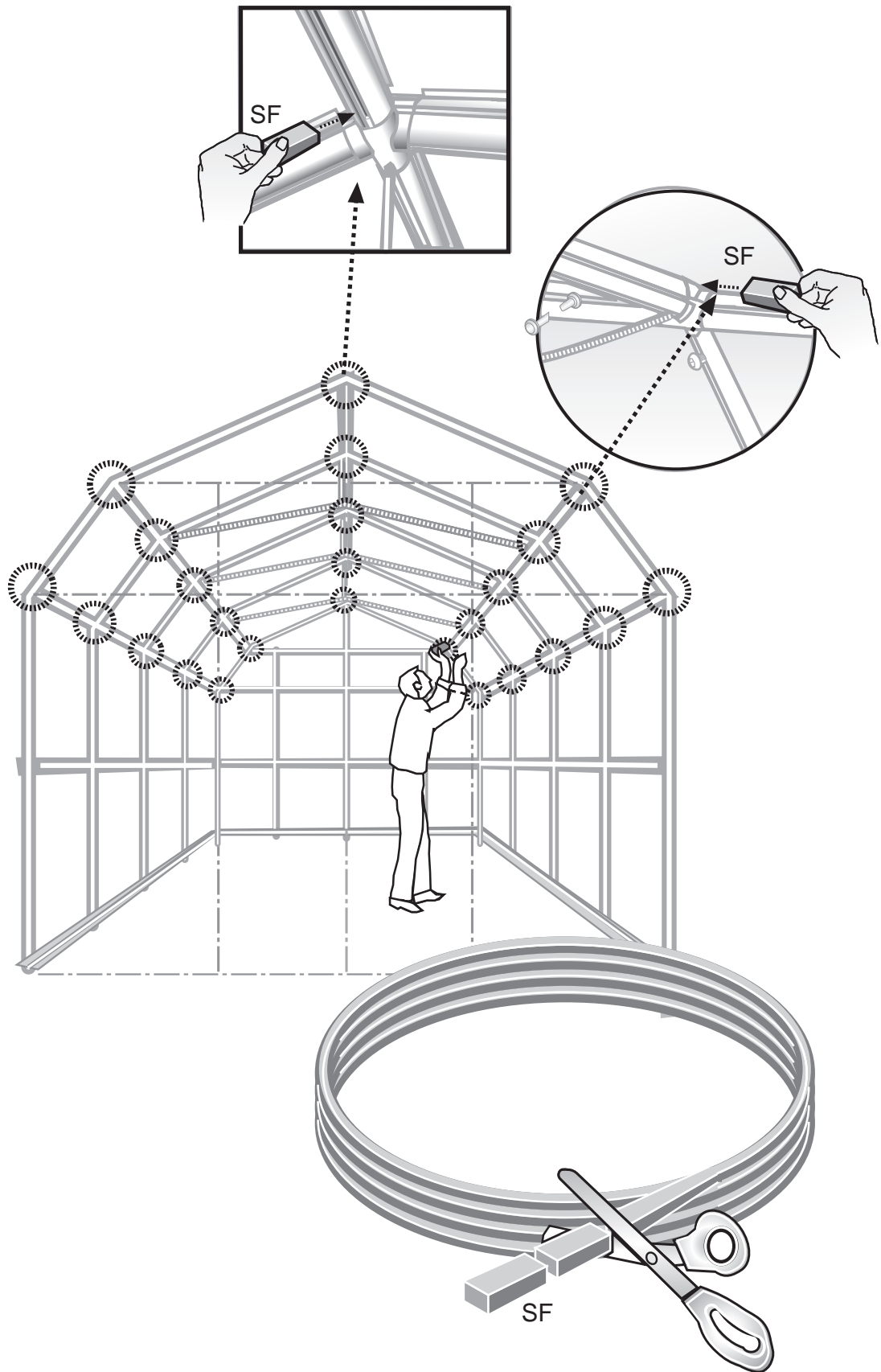


47

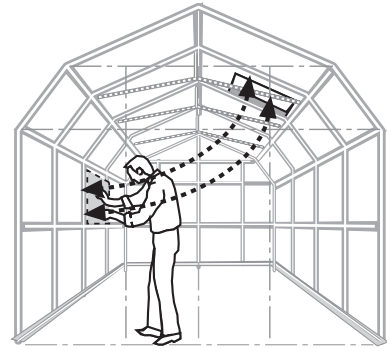
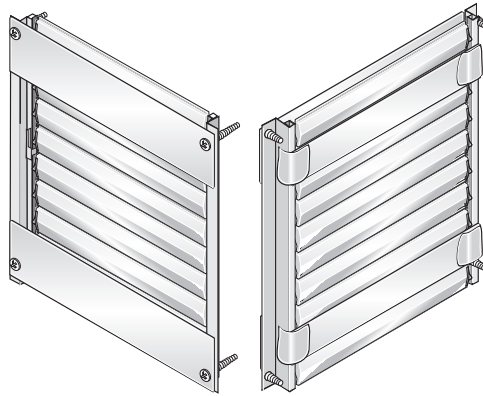
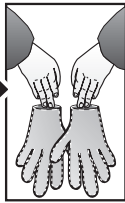




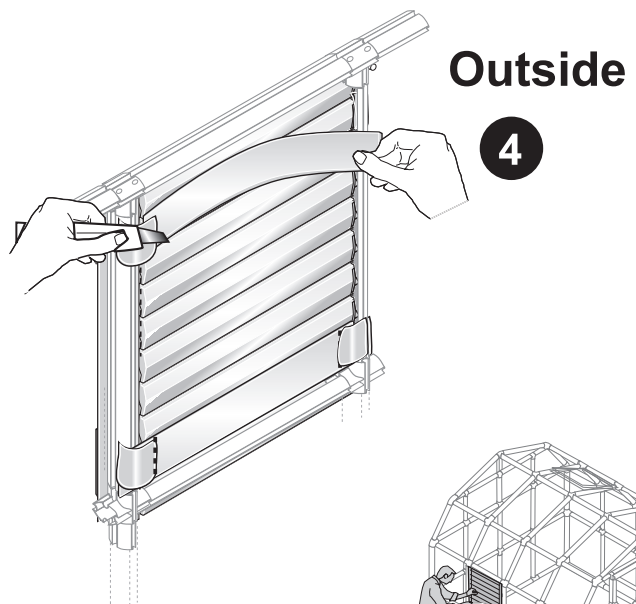
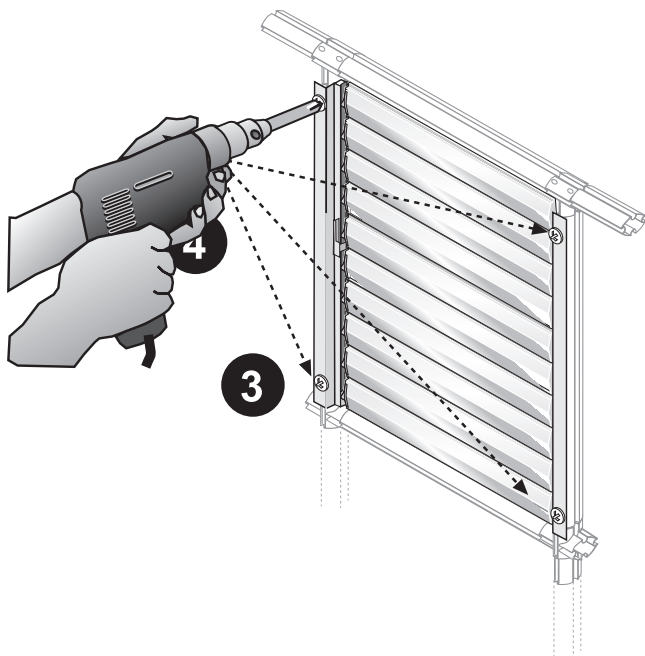
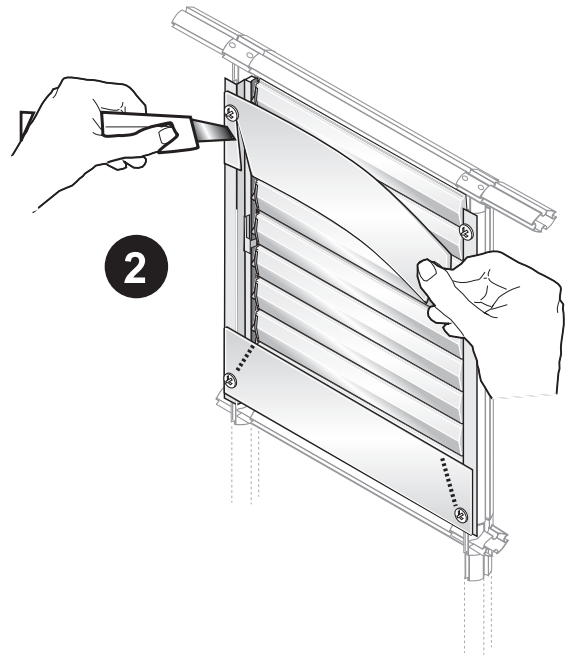
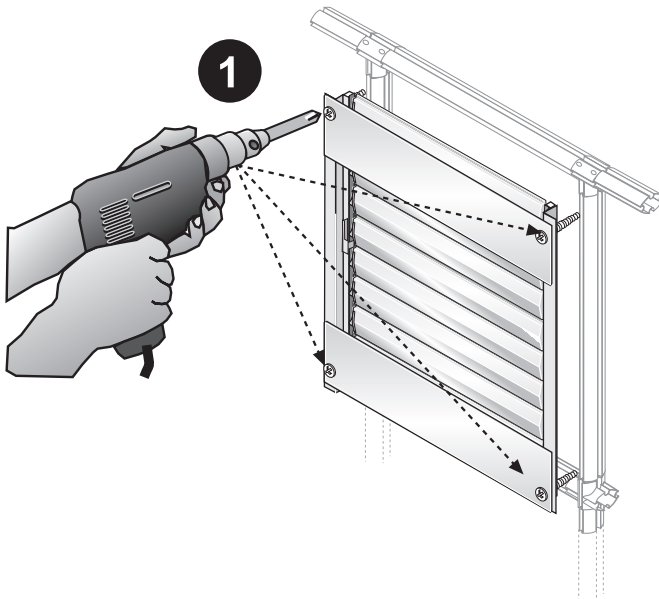
49



50

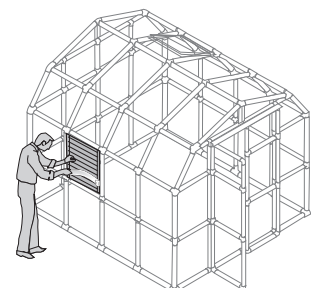


1 2 3 4 -Inside



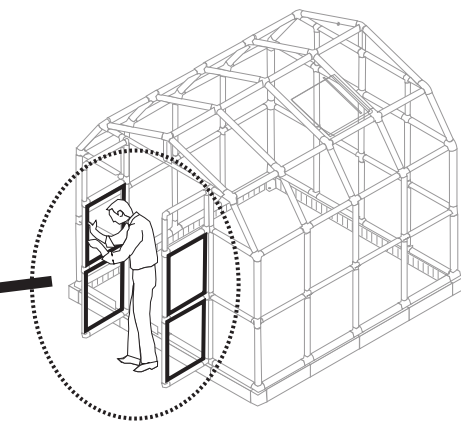
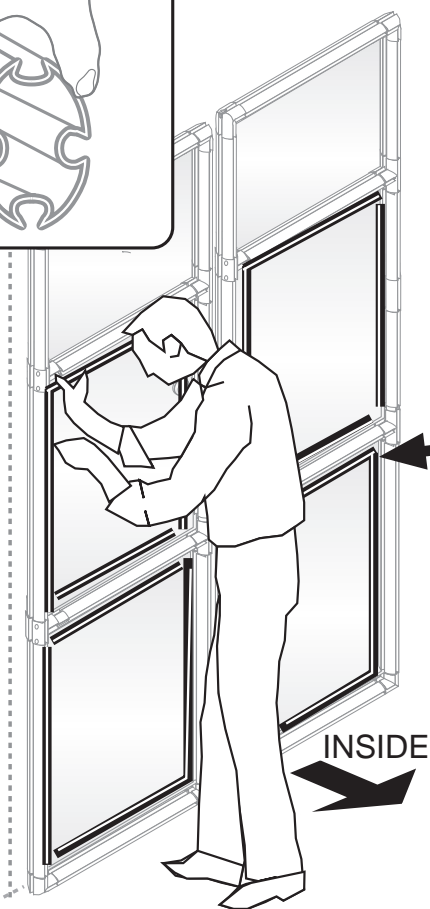
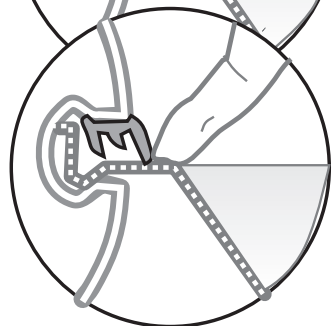
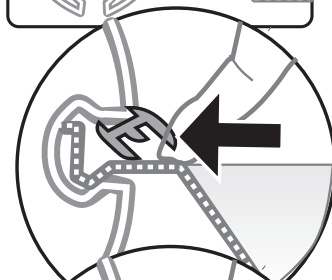
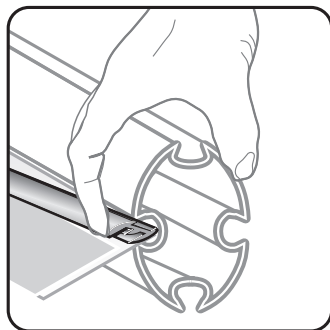
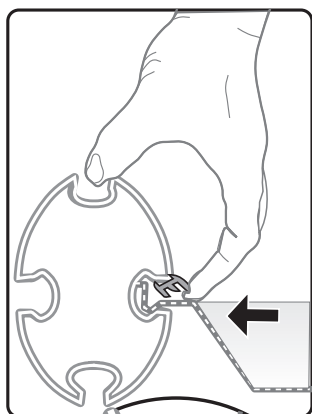
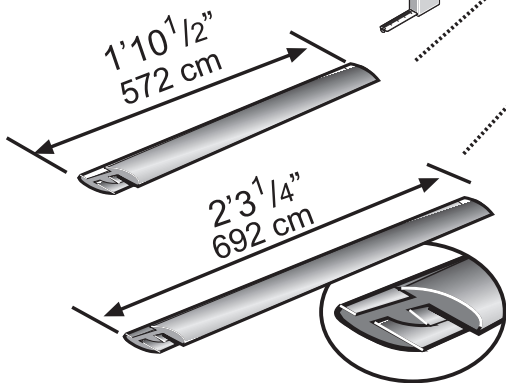
Outside

4



51

Sealing Rubber





Rion Ltd.
Cabri 25120 Israel
www.rion.com
Tel: +972-4-9952666, Fax: +972-4-9952677
Email: marketing@rion.com

Ver.9.2009